



New Products

New Product

ABSODEX MINI type AX6000M Series



DESKTOP DIRECT DRIVE ACTUATOR, MINI&USABLE TYPE, AX6000M SERIES

“Small and easy to use”

Desktop DD actuator birth



**Desktop Direct Drive Actuator,
MINI & USABLE Type**



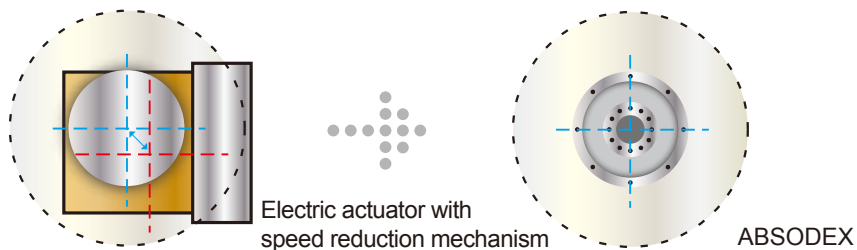
CKD Corporation

CC-1148A

It is not just small but easy to use!

Space-saving

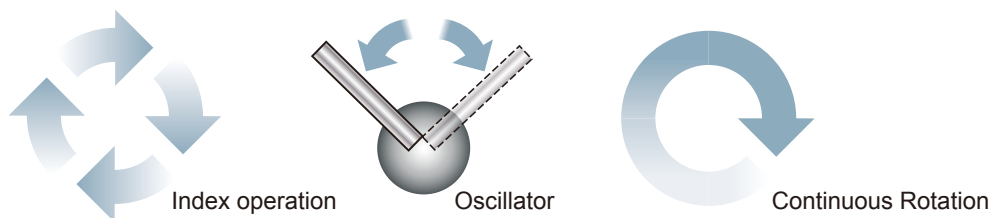
In addition to industry min. external dimensions, for the concentric shape (the fixed axis and the rotation axis is the same), compact equipment design that saves a waste of space is possible.



Flexible

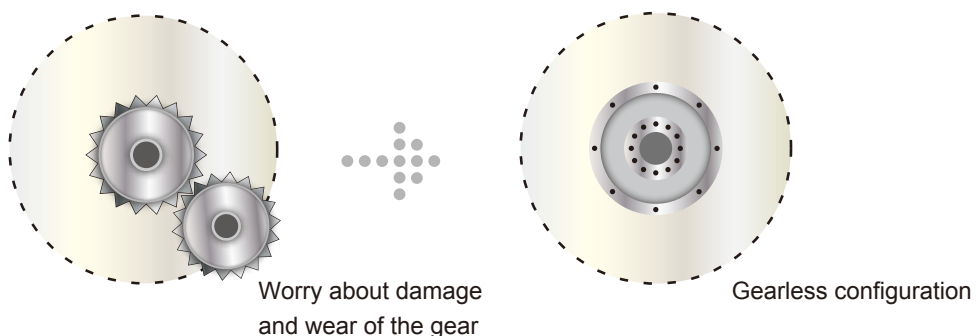
Operation can be realized as imagined because it has abundant program creation functions. Furthermore, it corresponds to simple operation settings such as automatic creation of point specified programs.

Complex operation settings such as a combination of operations are also surprisingly simple!



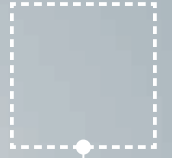
High reliability & maintenance free

Because of the direct-drive system (gearless), there is no need to worry about gear damage or accuracy changes through wear of the gear unit.



Industry min.

• Our company's research in August 2013



Please try to place the work piece in practice.

* Full size

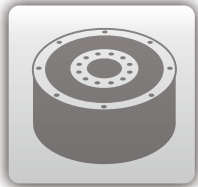
Smartphone size

47mm



Equipment automation can be easily achieved.

Because of the DD actuator, from design to operation it is simple and effortless.



Design

- Through the check sheet (Attached) models can be selected.
- The number of design processes can be reduced because there is a simple structure with no bulge in the gear portion.



Purchasing

- For the Set Model No. (Motor+Driver+Cable) ordering is simple.
- Drive system parts (pulley, belt, gear) purchasing is unnecessary.



Assembly

- The pilot and positioning pin hole are standard equipment.
- Assembly and adjustment effort can be reduced.



Driving

- Further added improvements have made operation setting in personal computer tools easy.
- It can move smoothly with positioning in the optimal cam curve.



Maintenance

- Inventory can be reduced with possible reuse.

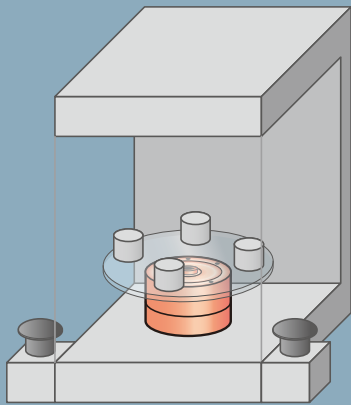
Please try it!!

Use cases

Point of success

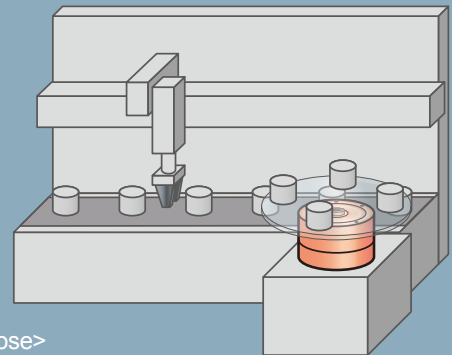
With the feeling of “Just put it on the table” you can design equipment. It is equipped with a wealth of features that are appropriate for an index table such as split position output (stop position output) and I/O signal output during indexing, and it is also possible to reduce the external sensor.

Semi-automation of manual operation

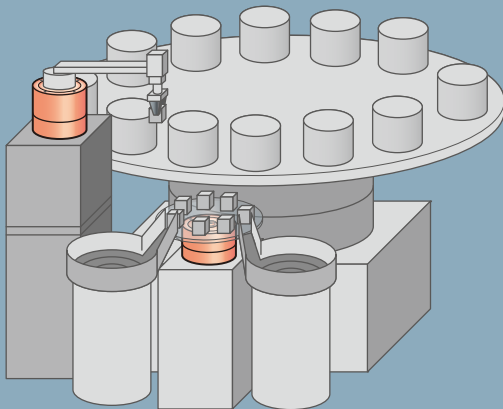


- <Purpose>
- Productivity improvement
 - Work stabilization

θ -axis unit when making a module of equipment



- <Purpose>
- Reduction of equipment design time
 - Equipment reuse



Addition as a sub-assembly process to existing equipment

(Replacement of existing equipment components)

- <Purpose>
- Tact improvement of the entire equipment
 - Miniaturization of existing equipment



AX4000T Series



AX2000T Series



AX1000T Series

Existing ABSODEX and program parameters (except for some) can be shared.

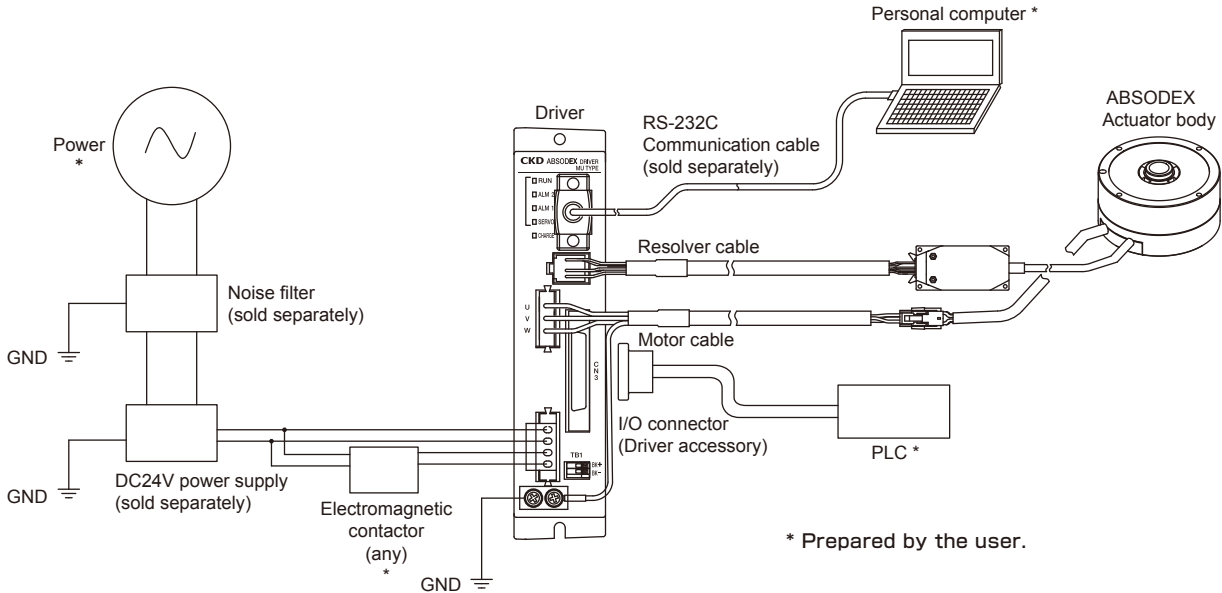
System Configuration

- Basic setting items

1. Input the program from a personal computer.
2. Set required parameters the same way.
3. Set the appropriate gain.

- Basic drive methods

1. A program to be executed is selected at the PLC.
2. Start signal is input at the PLC.
3. After operation, the driver outputs a positioning completion signal.



Configuration (set model no. selection)

Name	Quantity
Actuator body	1
Driver (with controller)	1
Motor cable and resolver cable	1 each

I/O connector, power supply connector, power supply connector open tool

* The motor cable connector is attached to the motor cable.

Programming tool

- Starting adjustment support tool "AX Tools" is available. (Windows version, free)

ABSODEX programs are created, parameters set, and operation commands, etc., issued from the personal computer.

Created programs can be saved.

Communication cable RS-232C (D-sub 9-pin (2 m) model: AX-RS232C-9P) is required.




Note) The communication cable is designed specifically for ABSODEX. You cannot use a cable available on the market. If you do, the driver or PC may be damaged.


Note) The RS-232C communication cable is assumed to be used only when adjusting the connection. Remove the cable from CN1 during normal operation.

Note) Do not allow the PC to enter the standby mode when a USB-serial adapter cable is connected. If it does, communication errors may result when the PC returns from the standby mode.

Note) Download the latest version of the adjustment support tool "AX Tools" from our website.

ABSODEX MINI type AX6000M Series Variation

	Torque (N·m)		Index accuracy (sec.)	Repeatability (sec.)	Page
	1.2	3			
ACTUATOR			±90	±10	1
Compatible driver			<p>Drivers can be commonly used.</p> <p>The controller function enables the actuator's rotation angle, movement time and timer, etc., to be set as desired with an NC program.</p> <p>M code output, encoder output, etc. can be used to connect to an external PLC, motion controller, etc.</p>		5

- Related parts model number table Page 8
- Selection guide Page 9
-  Safety precautionsPage 11



ABSODEX

AX6000M Series

Compatible function with free driver, actuator, and cable combinations

Diameter 80mm minimum size

- Max. torque: 1.2Nm, 3Nm
- Compatible driver: MU Type Driver



ACTUATOR SPECIFICATIONS

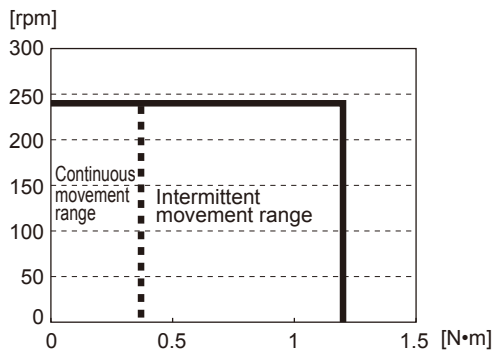
Items		AX6001M	AX6003M
Max. output torque	N·m	1.2	3.0
Continuous output torque	N·m	0.4	1.0
Max. rotation speed	rpm	240 (Note 1)	
Allowable axial load	N	600	
Allowable moment load	N·m	5	
Output shaft moment of inertia	kg·m ²	0.00034	0.00059
Allowable load inertia moment	kg·m ²	0.034	0.059
Index accuracy (Note 2)	sec.	±90	
Repeatability (Note 2)	sec.	±10	
Output shaft friction torque	N·m	0.13	0.22
Resolver resolution	P/rev	540672	
Motor insulation class		A	
Motor withstand voltage		AC550V 1 minute	
Motor insulation resistance		10MΩ and over DC500V	
Ambient temperature		0~40°C	
Ambient humidity		20~85%RH No freezing	
Storage temperature		-10~65°C	
Storage ambient humidity		20~90%RH No freezing	
Atmosphere		Free of corrosive and explosive gases and dust	
Weight	kg	1.2	1.8
Run out of output shaft (Note 2)	mm	0.03	
Surface run out of output shaft (Note 2)	mm	0.05	
Degree of protection		IP20	

Note 1: Use 80 rpm or less during continuous rotary operation.

Note 2: For details on index precision, repeatability, run out of output shaft, and surface run out of output shaft, refer to "Terminology" on page 10.

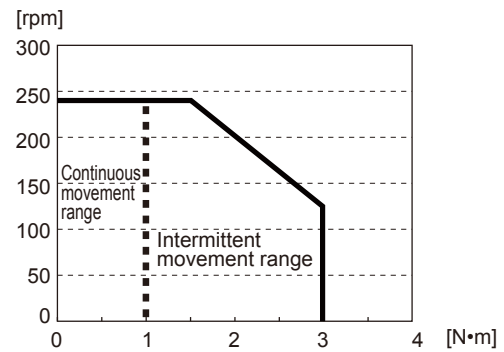
Speed and maximum torque characteristics

● AX6001M



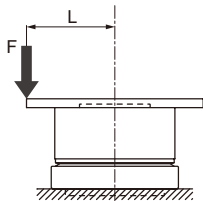
* Graph shows the typical value during 24 VDC (Ambient temperature: 25 °C)

● AX6003M



* Graph shows the typical value during 24 VDC (Ambient temperature: 25 °C)

(Note) Moment load



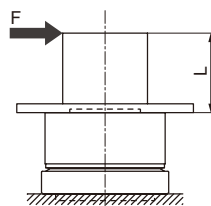
(Fig.a)

$$M(N\cdot m) = F(N) \times L(m)$$

M: Moment load

F: Load

L: Distance from output shaft center



(Fig.b)

$$M(N\cdot m) = F(N) \times (L + 0.02)(m)$$

M: Moment load

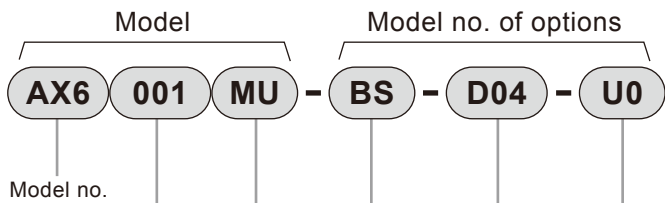
F: Load

L: Distance from output shaft flange

⚠ Read Precautions on page 11 to 15 before use.

How to order

- Set model no. (actuator, driver, and cable)



A Size (Max. torque)

B Driver type

C Mounting base

D Cable length

E Interface specifications

Symbol	Descriptions
A Size (Max. torque)	
001	1.2N·m
003	3.0N·m
B Driver type	
MU	With MU type driver
C Mounting base	
Blank	Standard (without mounting base)
BS	Electroless nickel plating Surface treatment installation
D Cable length	
D02	Standard 2m
D04	Standard 4m
D06	Standard 6m
D08	Standard 8m
D10	Standard 10m
DM02	Movable 2m
DM04	Movable 4m
DM06	Movable 6m
DM08	Movable 8m
DM10	Movable 10m
E Interface specifications	
U0	Parallel I/O (NPN specifications)

Actuator model no.

AX6 001 M - BS

Model no.

A Size

C Mounting base

Driver model no.

AX9000MU - U0

E Interface specifications

Cable model no.

- Motor cable

AX-CBLM8 - D04

- Resolver cable

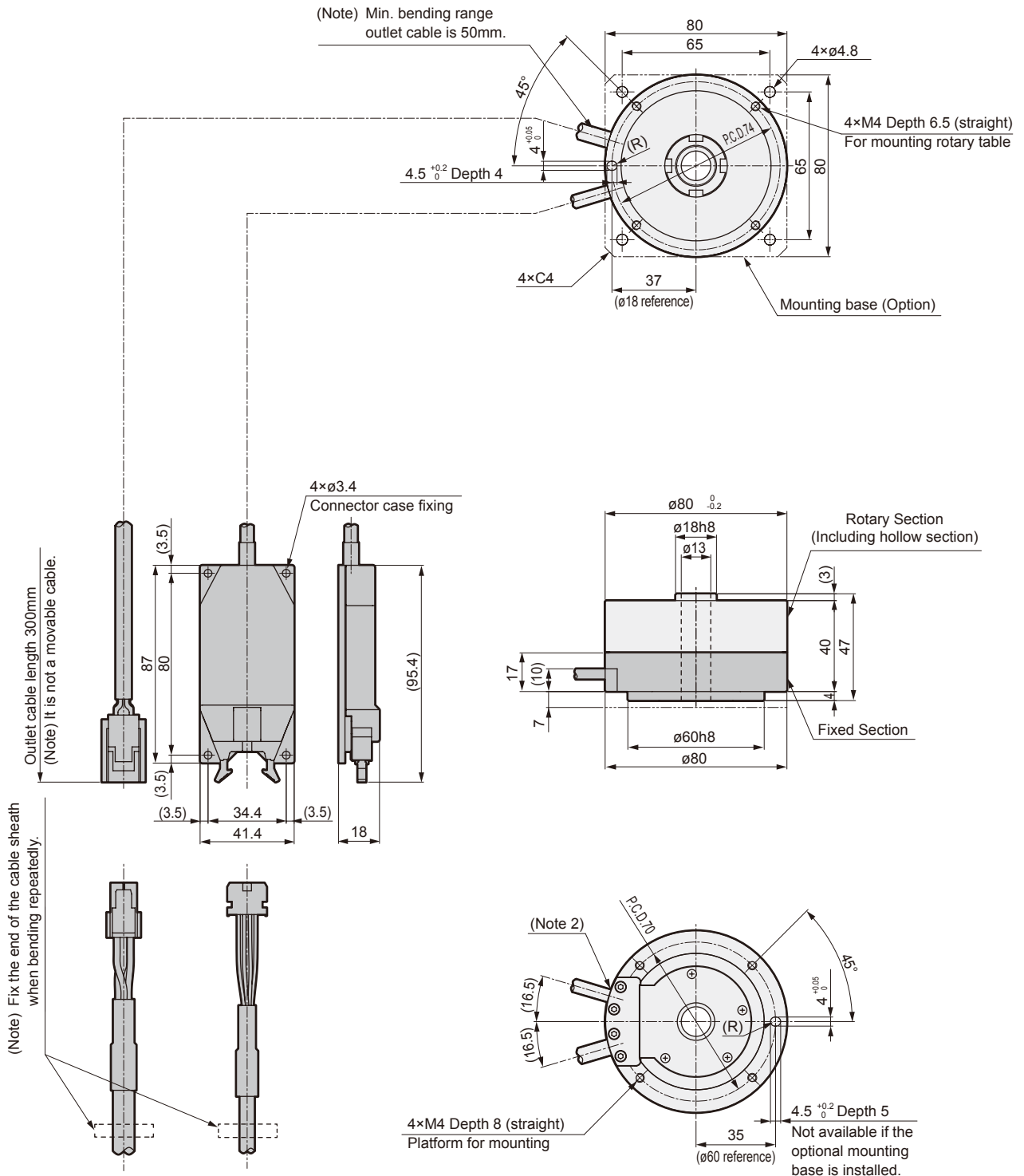
AX-CBLR8 - D04

D Cable length

(Note: "04" if the cable length is 4m)

Dimensions

● AX6001M



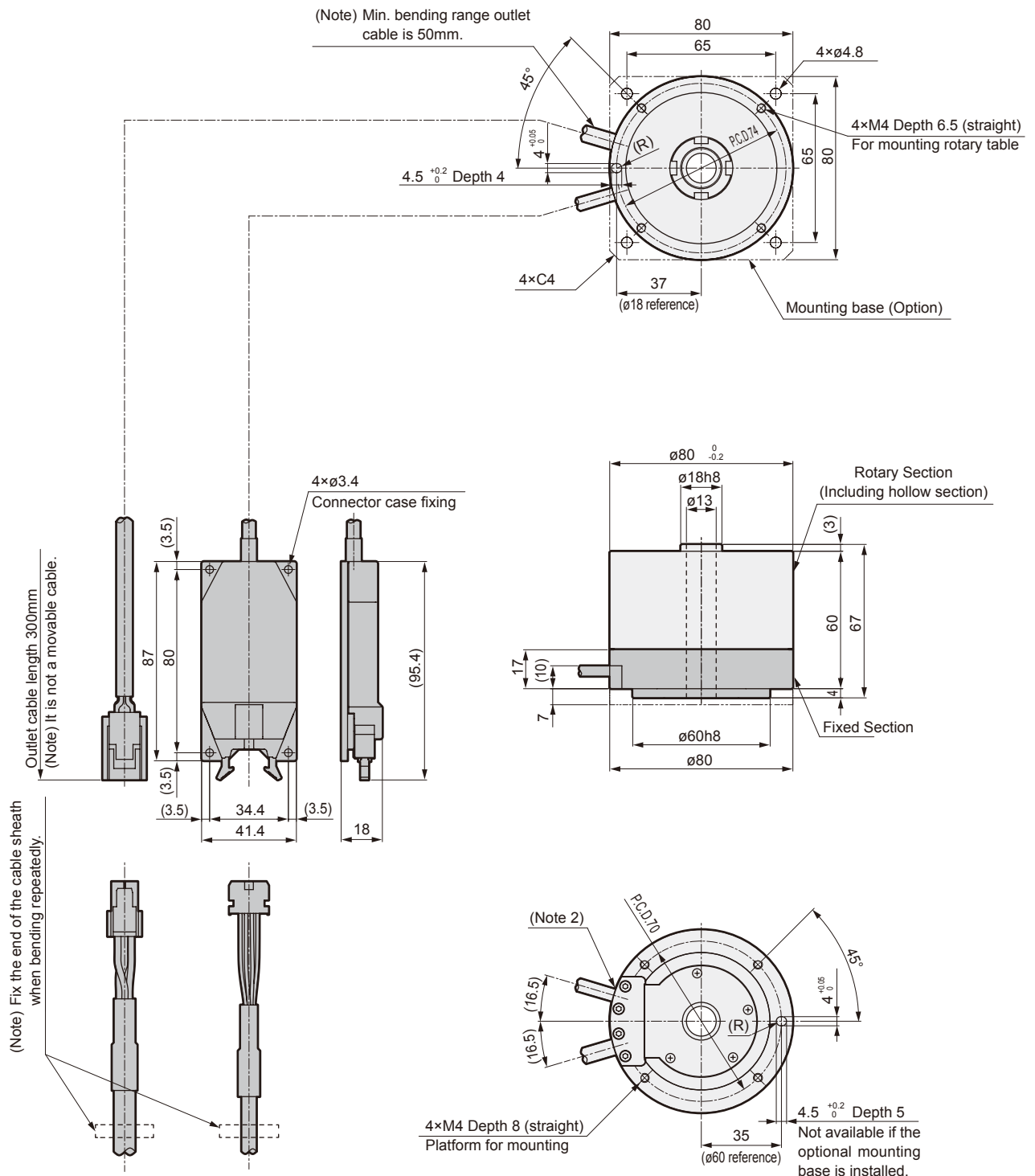
Note 1: The actuator's origin may differ from that in the dimensional drawing.

The origin offset feature enables you to set the origin to any position you choose.

Note 2: In the cable lead-out portion there is an exposed portion of the shield braided wire.

Dimensions

● AX6003M



Note 1: The actuator's origin may differ from that in the dimensional drawing.

The origin offset feature enables you to set the origin to any position you choose.

Note 2: In the cable lead-out portion there is an exposed portion of the shield braided wire.



ABSODEX

MU Type Driver

Interface specifications: Parallel I/O (NPN specifications)



Main features

- Miniature/light weight (resin body)
- Wiring is easy for the connector connection

How to order

AX9000MU - U0

Common specifications

Items	Descriptions
Product name	MU Type Driver AX9000MU
Power voltage	Main power supply DC24V±10%
	Control power supply DC24V±10%
Structure	Integrated driver and controller
Ambient temperature	0~50°C
Ambient humidity	20~90%RH (no freezing)
Operating ambient temperature	-10~65°C
Operating ambient humidity	20~90%RH (no freezing)
Atmosphere	No corrosive gases or powder dust.
Noise resistance	1000 V (P-P), pulse width 1 μs, rising edge 1 ns, impulse noise test, induction noise (capacitive coupling)
Vibration resistance	4.9m/s ²
Weight	Approx. 0.5 kg
Degree of protection	IP2X

Performance Specifications

Items	Descriptions
Control shafts	1 shaft, 540672 pulses/1 rotation
Angle setting unit	° (degrees), pulses, index numbers
Min. angle setting unit	0.001°, 1 pulse
Speed setting unit	sec. rpm
Speed setting range	0.01~100s/0.01~240rpm
Equal divisions	1~255
Max. command value	7-digit number input ± 9999999
Timer	0.01 s to 99.99 s
Program language	NC language
Programming method	Data can be set with an interactive terminal or personal computer, etc., using the RS-232C port.
Operation Mode	Auto, job, single block, servo OFF, pulse string input
Acceleration curve	<5 types> Modified sine (MS), modified constant velocity (MC,MC2), modified trapezoidal (MT), and trapezoid (TR)
Status display	RUN: Normal operating state
	ALM2: Alarm 2 state
	ALM1: Alarm 1 state
	SERVO: Servo state
	CHARGE: Charge state
Communication interface	RS-232C compliant
I/O signals	Refer to the relevant interface specifications page.
Program size	Approx. 6000 characters (256 lines)
Electronic thermal	Actuator overheat protection

Power supply

Actuator Model	Driver Model	Rated input current	Max. input current
AX6001M, AX6003M	AX9000MU	3.3A	10A

Parallel I/O (NPN specifications)

CN3 Input signal

Pin no.	Signal	Logic	Decision
1~2	External power supply input +24 V ± 10%		
3~4	External power supply input GND		
5	Program number selection input (bit 0)	Positive	Level
6	Program number selection input (bit 1)	Positive	Level
7	Program number selection input (bit 2)	Positive	Level
8	Program number selection input (bit 3)	Positive	Level
9	Program number selection input 2nd digit/ program number selection input (bit 4)	Positive	Edge Level
10	Program number selection input 1st digit/ program number selection input (bit 5)	Positive	Edge Level
11	Reset input	Positive	Edge
12	Home Positioning Instruction Input	Positive	Edge
13	Start input	Positive	Edge
14	Servo ON input/program stop input	Positive	Level Edge
15	Continuous rotation stop input	Positive	Edge
16	Answer input/position deviation counter reset	Positive	Edge
17	Emergency Stop Input	Negative	Level
18	Brake Release Input	Positive	Level

CN3 output signal

Pin no.	Signal	Logic
33	M code output (bit 0)	Positive
34	M code output (bit 1)	Positive
35	M code output (bit 2)	Positive
36	M code output (bit 3)	Positive
37	M code output (bit 4)	Positive
38	M code output (bit 5)	Positive
39	M code output (bit 6)	Positive
40	M code output (bit 7)	Positive
41	In-position output	Positive
42	Positioning completion output	Positive
43	Start input waiting output	Positive
44	Alarm output 1	Negative
45	Alarm output 2	Negative
46	Intermediate index output 1/origin output	Positive
47	Intermediate index output 2/servo state output	Positive
48	Ready output	Positive
49	Segment position strobe output	Positive
50	M code strobe output	Positive

CN3 pulse string input signal

Pin no.	Signal
19	PULSE/UP/A phase
20	-PULSE/-UP/-A phase
21	DIR/DOWN/B phase
22	-DIR/-DOWN/-B phase

CN3 encoder output signal (incremental)

Pin no.	Signal
23	A phase (line driver output)
24	-A phase (line driver output)
25	B phase (line driver output)
26	-B phase (line driver output)
27	Z phase (line driver output)
28	-Z phase (line driver output)

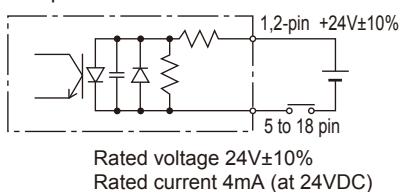
I/O circuit specifications

Descriptions	1 circuit current (mA)	Max. points (circuit)	Max. current (mA)	Max. current consumption (mA)
Input circuit	4	14	56	746
Output circuit	30	18	540	
Brake output (BK+,BK-)	75	2	150	

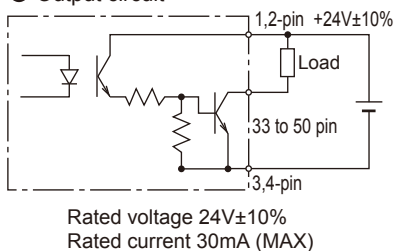
* The maximum number of simultaneous output points for the output circuits is 14 out of 18.

CN3 I/O circuit specifications

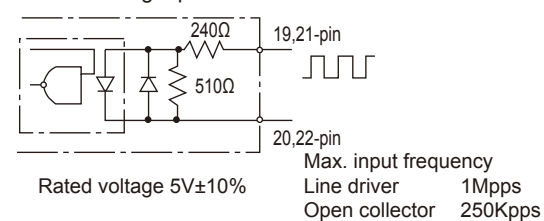
● Input circuit



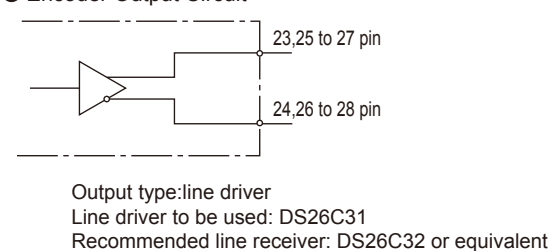
● Output circuit



● Pulse String Input circuit



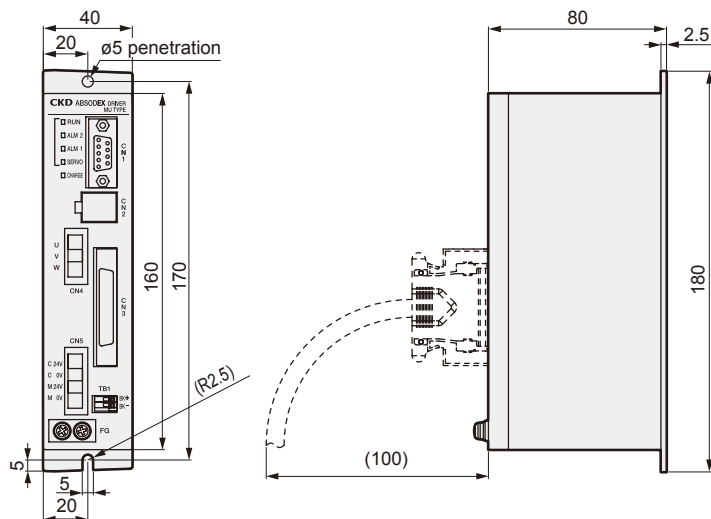
● Encoder Output Circuit



⚠ Read Precautions on page 11 to 15 before use.

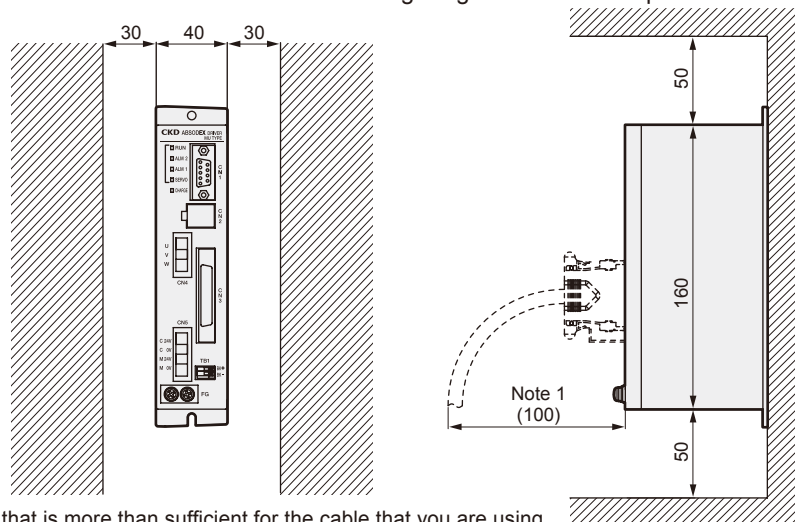
MU type driver

Dimensions



Installation dimensions

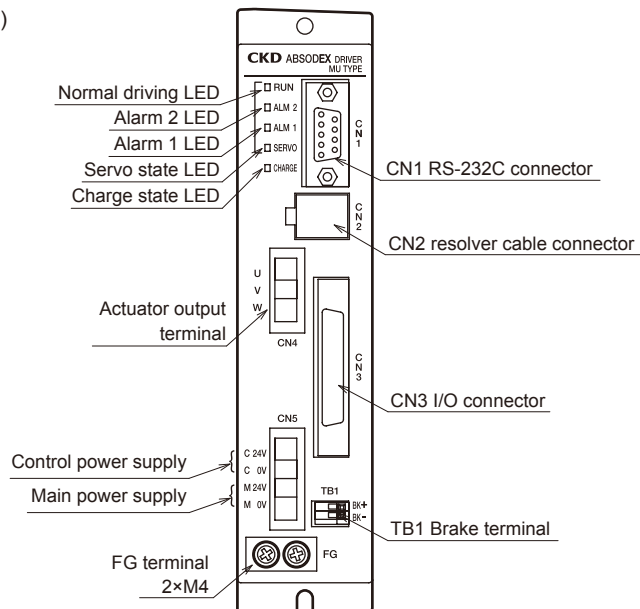
- The ABSODEX driver is not dustproof or waterproof. Protect the driver so that dust, water, oil, etc. do not enter the driver.
- If you are installing the ABSODEX driver in the control box, make sure that the temperature inside the box does not exceed 50°C, and install the driver as shown in the following diagram to secure space around it.



Note1) Determine a dimension that is more than sufficient for the cable that you are using.

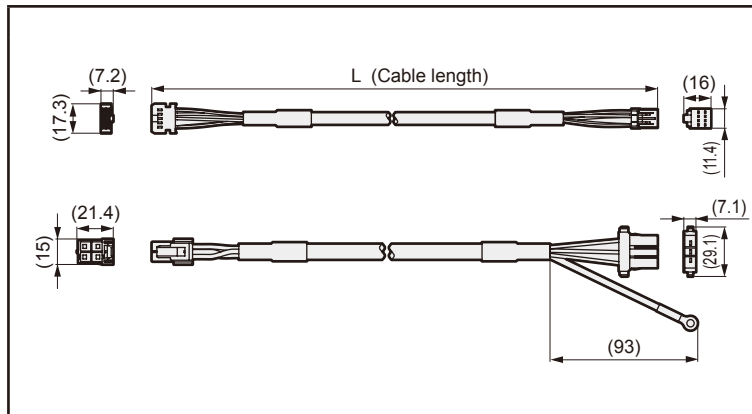
Panel description

- Parallel I/O (NPN specifications)



Cable specifications

Cable dimensions



Minimum cable bending radius

Line type	Standard cable	Movable cable
Resolver cable	60mm	60mm
Motor cable	70mm	90mm

Safety precautions

- Use the optional flexible cable in applications where the cable is bent repeatedly. When a movable cable is used, fix the cable sheath near the actuator connector.
- The cables are not movable cables. Be sure to fix the cables in place at the connectors so that they do not move. Do not lift up the body by the cable or apply excessive force to the cable as the cable may break.
- When connecting the cable, insert the connector securely to the back. Tighten the connector's set screws and fixing screws.
- Do not modify the cable by cutting or extending it. Failure to observe this could result in faults or malfunctions.
- For cable length L, refer to the cable lengths in "How to order".

How to order ABSODEX related parts

● Related parts

Product	Applicable model	Model no.
PC communication cable (DOS/V)	AX Series	AX-RS232C-9P

● Mounting base

Product	Applicable model	Model no.
Mounting base	AX6001M, AX6003M	AX-AX6000-BASE-BS

● Power

Product	Applicable model	Model no.
24 VDC Power supply	AX9000MU	AX-PWR-SWD100P-24-C (Note 1)

(Note 1) If you purchase the above model from our company, the power supply input cable (1m) and power supply output cable (1m) are included.

● Noise filter

Product	Applicable model	Model no.
Noise filter for power supply	AX9000MU	AX-NSF-NF2015A-OD

* The parts listed on this page can be purchased from CKD.

ABSODEX selection guide specifications check sheet Table direct drive		(Note) Contact CKD for chain drives and gear drives.	
Your company name		Your name	
Division			
TEL		FAX	

■ Operating conditions

1. Index 2. Oscillator

Movement angle Ψ (°) or no. of indexes

Movement time t_1 (sec.)

Cycle time t_0 (sec.) cycle time=moving time+dwelling time

(Note) Index time is movement time + settling time.
The settling time differs according to the working condition, but generally is between 0.025 and 0.2s.

■ Load conditions

Table

Material 1. Steel 2. Aluminum

Outline Dt(mm)

Plate thickness ht(mm)

Weight m1(kg)

Workpiece

Quantity nw (pc.)

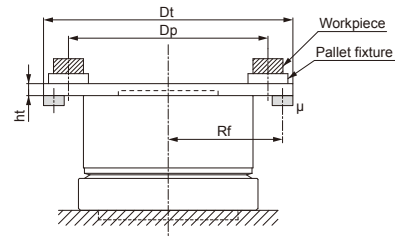
Max. weight mw (kg/pc.)

Installation center Dp(mm)

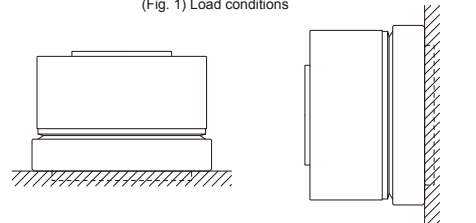
Pallet fixture

Quantity np (pc.)

Max. weight mp (kg/pc.)



(Fig. 1) Load conditions



(Fig. 2) Installation orientation: Horizontal (Fig. 3) Installation orientation: Vertical

■ Others

Installation attitude

1. Horizontal (Fig. 2) 2. Vertical (Fig. 3)

External job

1. None 2. available

(Note) Eccentric load caused by gravity from vertical installation, external load caused by caulking work.

Dial plate support form bottom

1. None 2. available

Coefficient of friction μ

Work radius Rf(mm)

Device rigidity

1. High 2. Low (Note)

(Note) When using a spline, when unit cannot be fixed directly onto the device (Fig. 4), when there is a mechanism such as a chuck on the table.

Extension with table shaft

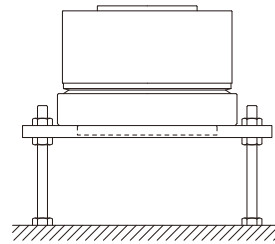
1. None 2. available (Fig. 5)

Actuator movement

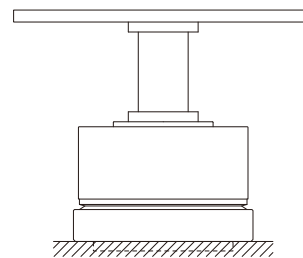
1. None 2. available

(Note) When actuator is mounted on X-Y table or vertical mechanism, etc., and mounted actuator moves.

(Note) If 2 is selected for any item, contact CKD.



(Fig. 4) Installation rigidity: Low



(Fig. 5) Extension with shaft

(Note) Attach system outline and reference drawings so that the optimal model can be selected.

■ Use conditions, environmental conditions (Optional)

Actuator ambient temperature (°C)

Motor cable length (m)

Driver ambient temperature (°C)

DC24V power supply cable length (m)

DC24V power supply coil diameter (mm²)

DC24V power supply voltage accuracy (%)

DC24V line point of contact quantity (pc.)

DC24V line point of contact resistance (MΩ / pc.)

* You can do a more rigorous selection by filling in this field.
* With a power supply cable 1.25mm² or more, please use one as short (recommended length 1m or less) as possible.
* If the output voltage is low in a power supply with voltage adjustment, please adjust it to 24V and use it.

Terminology

Index accuracy

The ABSODEX index precision is the difference between the target position set by an NC program and the actual stop position.

The target position is an angle (s) from the reference station (origin return position).

As shown in the diagram on the right, the index precision is calculated from the maximum and minimum values of the differences between the target positions and the actual stop positions. Measurement is expressed in terms of the width using positive and negative seconds, as shown on the right.

A high precision encoder is used for the angular measurement.

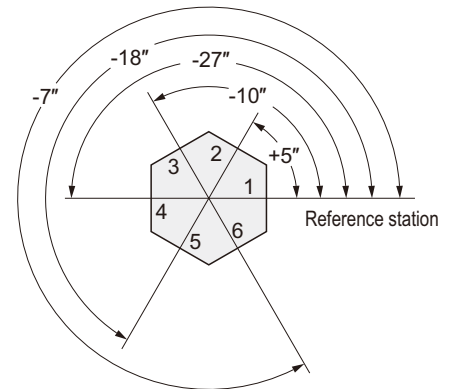
Repeatability

Repeatability expresses the deviation in the angles of the stop positions measured repeatedly under the same conditions for the same target position. It is expressed as an angle in seconds.

Depending on the precision characteristics that the machine requires, repeatability and index precision must be used separately.

* sec. A unit used to express angles (degrees, minutes, and seconds).
1 degree = 60 minutes = 3600 seconds

Example of index accuracy measurement

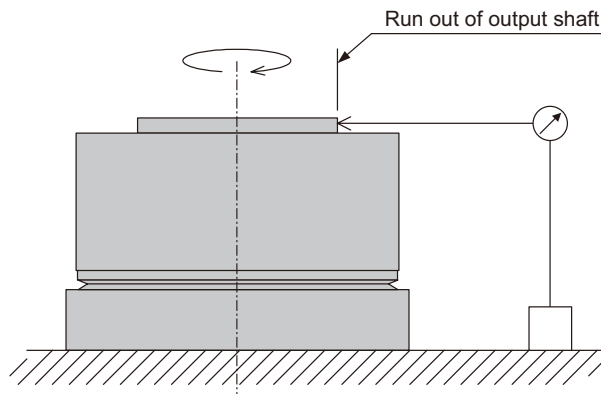


Measuring position	Measured value
1	0
2	+5''
3	-10''
4	-27''
5	-18''
6	-7''

Index precision $\pm 16''$

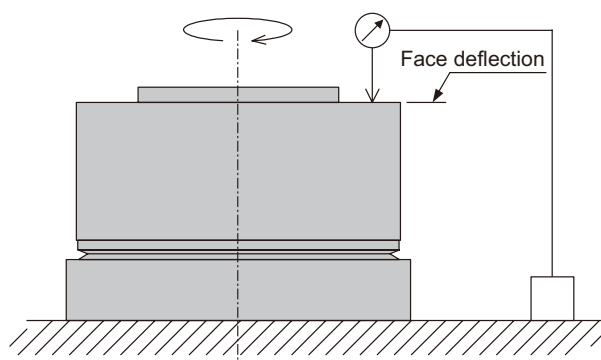
Run out of output shaft

The out-of-roundness of the spigot side of the table installation surface.



Surface run out of output shaft

The out-of-roundness of the table installation surface.





Safety Precautions

Always read this section before use.

When designing and manufacturing devices using direct drive actuator, the manufacturer has an obligation to manufacture a safe device, and to check that the safety of the device's mechanical mechanism and the system operated by the electrical control that controls the device is secured.

Product selection, its usage and handling, as well as adequate maintenance management are important in order to safely use CKD products.

To ensure equipment safety, please follow the warnings and precautions.

Please check that equipment safety is ensured and manufacture safe equipment.

Warning

1 This product is designed and manufactured as a general industrial machine part. It must be handled by an operator having sufficient knowledge and experience in handling.

2 Use within the product's specific specification range.

It cannot be used outside of product-specific specifications. Do not attempt to modify or additionally machine the product.

This product's applied scope is for use as equipment and parts for general industrial machinery.

Therefore, outdoor use as well as the following conditions and environments shall be considered outside of the applied scope.

(If you consult CKD upon adoption and consent to CKD product specification, it will be applicable; however, safeguards should be adopted that will circumvent dangers in the event of failure.)

- ① Use for special applications including nuclear energy, railway, aircraft, marine vessel, vehicle, medical equipment, equipment, or applications coming into contact with beverage or food, amusement equipment, emergency shutoff circuits, press machine, brake circuits, or for safeguard.
- ② Usage in applications that especially require safety, such as those that greatly affect humans and property.

3 Observe corporate standards and regulations, etc., related to the safety of device design.

4 Do not remove devices until safety is confirmed.

- ① Inspect and service the machine and devices after securing the safety of the system, such as by turning off the peripheral devices and other devices connected to this product.
- ② Exercise caution when inspecting, maintaining, and handling the product, as high temperature and charged parts can be present even when operation is stopped.
- ③ Before starting device inspection or maintenance, turn off device power and other power to related devices, release compressed air, and check leakage current.

5 Observe warnings and cautions in the instruction manual of each product.

- ① Do not rotate the actuator outputs shaft by 30 rpm or more while power is off. The driver could fail or electrical shock result from actuator power generation.
- ② If the servomotor is turned off (including emergency stop or alarm) or brakes are turned off while a rotational force, such as gravity, is applied, the output shaft may rotate by rotational force. Conduct these operations flat where rotational force is not applied, or confirm safety before starting.
- ③ Unexpected movement may occur during gain adjustment or test operation, so keep hands, etc., away from the outputs shaft. When conducting operations with the actuator not visible, confirm before starting that it is safe even if the outputs shaft turns.
- ④ The brakes of the type with brake do not necessarily hold the outputs shaft completely in all situations. If safety must be ensured, such as in maintenance with an application that rotates the output shaft in unbalanced mode, or when stopping the machine for a long time, it may not be sufficient to stop the shaft with brakes alone. Make sure equipment is maintained balanced or provide a mechanical locking means. Use the system flat or provide a mechanical lock.
- ⑤ It may take several seconds to stop in an emergency, depending on rotation speed and load.

6 To prevent electric shock, observe warnings and cautions.

- ① High voltage is supplied to the terminal block at the driver's front panel and the motor cable connection terminal. For a terminal block, be sure to install the supplied terminal cover before operation. Do not touch the terminal block while power is on. Do not touch the terminal block while power is on. Even after the power is turned off, a high voltage is applied until the charge accumulated in the internal capacitor is discharged. Wait at least five minutes after turning the power off before touching these sections.
- ② In work with side cover off, such as for maintenance and inspection or changing driver switches, turn power off and wait at least five minutes before starting work because a risk of electrical shock from high voltage exists.
- ③ Do not connect or disconnect connectors while power is on. Misoperation, faults, or electrical shock may occur.

7 Before restarting a machine or system, check that measures are taken so that parts do not come off.

8 Install an over-current protective device.


In accordance with "JIS B 9960-1:2008 Safety of machinery - Electrical equipment of machines - Part 1: General requirements," install over-current protective devices (circuit breakers, etc.) for the main power and control power (L1, L2, L3, L1C and L2C of the terminal block) and I/O power (connector number CN3-DC24V).


(Translation of an Excerpt from JIS B 9960-1 7.2.1 General Requirements)


Overcurrent protection shall be provided where the current in a machine circuit can exceed either the rating of any component or the current carrying capacity of the conductors, whichever is the lesser value. The ratings or settings to be used are detailed in 7.2.10.

9 Observe the cautions on the following pages to prevent accidents.

■ The safety precaution rankings of the listed precautions are classified as "danger", "warning", "caution".

 **DANGER:** Situations where improper handling can create dangerous conditions in which death or serious injury is possible, in addition to high levels of urgency during an emergency (degree of emergency).

 **WARNING:** Situations where improper handling can create dangerous conditions in which death or serious injury is possible.

 **CAUTION:** Situations where improper handling can create dangerous conditions where minor injuries or physical damage is possible.

Items listed under "caution" can also possibly lead to serious results depending on the situation. Important details are listed for each; please make sure to follow them.

WARRANTY

Terms of warranty

Conditions related to the warranty term and scope are as follows:

1. Warranty period

"Warranty Period" of this product is one (1) year from the first delivery to the customer. (One year after delivery, where one day's operation shall be within eight hours. If durability is reached within one year, the warranty term shall be terminated at that point.)

2. Scope of warranty

If any faults found to be the responsibility of the CKD occur during the above warranty term, the part shall be repaired immediately by CKD free of charge. Note that the following faults are excluded from the warranty:

- ① Operation under the conditions or in the environment derailing from those specified in the product specifications
- ② Failure caused by lack of attention or erroneous control
- ③ Failure caused by other than the delivered product
- ④ Failure caused by operation derailing from the purposes for which the product is designed
- ⑤ Failure caused by modification in the structure, performance, specification or other features made by other than us after delivery, or failure caused by repairs done by other than our designated contractor
- ⑥ Loss in our product assembled to your machine or equipment, which would be avoided if your machine or equipment were provided with general functions, structures or other features common in the industry
- ⑦ Failure caused by reason that is unforeseeable with technology put into practical use at the time of delivery
- ⑧ Failure caused by fire, earthquake, flood, lightning, or other acts of God, earth shock, pollution, salt hazard, gas intoxication, excessive voltage, or other external causes

The warranty here refers to the warranty of the actually delivered product, and does not include any damage resulting from a fault in the delivered product.

3. Warranty for exported products

- (1) Products returned to the CKD factory or to a company or factory designated by CKD shall be repaired. All work and expenses related to the return shall be excluded from compensation.
- (2) The repaired product shall be returned to a designated place in Japan with domestic packaging specifications.

This warranty specifies basic conditions. If warranty details in individual specification drawings or specifications differ from these warranty conditions, specification drawings or specifications shall take priority.

4. Compatibility confirmation

Customers shall be responsible for confirming our products' compatibility with the customer's own system, machine, and equipment.

- 1** Actuators and the drivers are not water-proof type. Provide waterproofing when using this where water or oil enters.
- 2** Current leakage and faults could occur if swarf or dust get onto the actuator or driver. Check that these do not come in contact with devices.
- 3** Frequent repetition of power-on and -off can cause damage to the elements inside the driver.
- 4** If power is turned off and servomotor turnoff is executed while the servomotor is on (holding), the output shaft may move from the held position even without external force.
- 5** Actuators and drivers do not guarantee rustproofing. Give careful consideration to storage, installation, and environment.
- 6** Equipment in which direct drive actuators are installed should have sufficient rigidity to realize full direct drive actuator performance. If the load equipment or frame's mechanical unique vibration is relatively low (200 to 300 Hz or less), resonance could occur in the direct drive actuator and load equipment or frame. Secure the rotary table and main unit installation bolts, and ensure sufficient rigidity without loosening, etc. [Fig. 1]

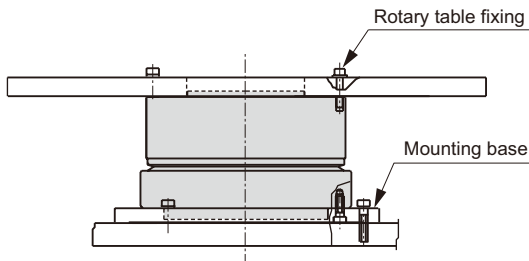
- 7** When extending the output shaft, refer to the references given in Table 1 for the extended shaft's diameter and length. In addition, add dummy inertia by using Fig. 3 as a reference.

[Table 1] Extended out shaft's diameter guideline

Max. torque [N•m]	Shaft extension (mm)	
	50	100
1.2	ø35	ø40
3	ø35	ø40

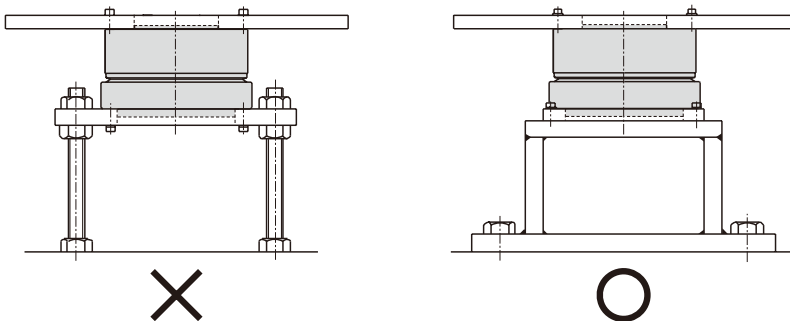
Note) The figures in the above table are extended output shaft's diameter references for steel materials (solid shafts). Contact CKD for references for other materials and hollow shafts.

[Fig. 1] Actuator Installation



Gain must be adjusted based on load table size, etc. Even when the direct drive actuator is not directly installed, it should be installed on a highly rigid frame. [Fig. 2]

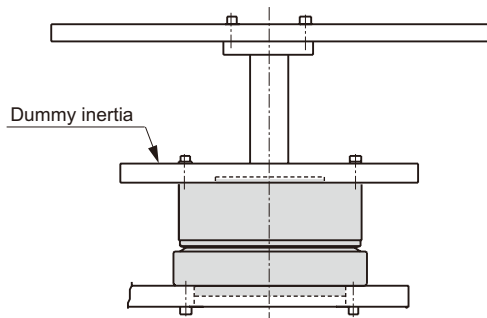
[Fig. 2] Actuator attachment



8 If sufficient rigidity cannot be attained, machine resonance is suppressed to some degree by installing dummy inertia as close to the actuator as possible. Examples of adding dummy inertia are shown below.

- As a reference, dummy inertia is [load inertia] x (0.2 to 1). [Fig. 3]

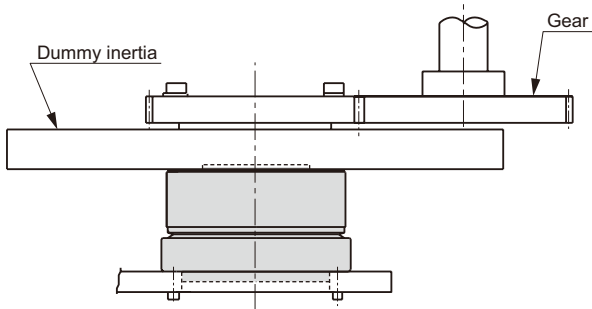
[Fig. 3] Dummy inertia attachment example 1



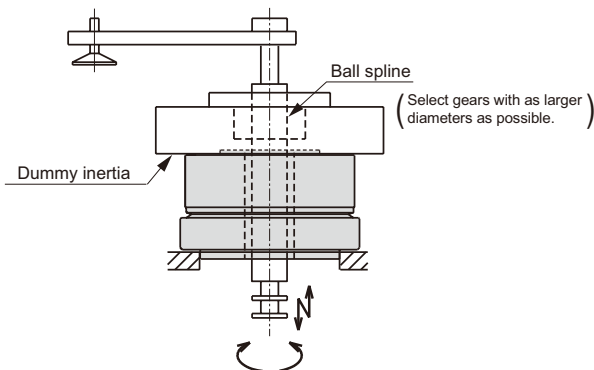
- When coupling with a belt, gears, or spline, or when joining with a key, dummy inertia should be [load inertia] x (0.5 to 2).
- If speed changes with belts or gears, use load inertia as the actuator output shaft conversion value, and install dummy inertia on the actuator. [Fig. 4] [Fig. 5]

(CAUTION) Install dummy inertia as large as possible within the actuator's capacity. (Use steel that has a large specific gravity.)

[Fig. 4] Dummy inertia attachment example 2



[Fig. 5] Dummy inertia attachment example 3



9 The ABSODEX has a built-in absolute resolver (magnetic position detector). Do not place strong magnetic fields such as rare earth magnets near the actuator. Do not pass high-current wiring through the hollow hole. If you do, the full performance may not be achieved, and malfunction or fault may result.

10 Do not place strong magnetic fields such as rare earth magnets near the actuator.

11 For additional notes, please refer to the instruction manual.



Safety precautions

Labor saving mechanisms: Warnings, cautions

Always read this section before use



Caution

Installation and adjustment

- 1** Connect the enclosed cable between the actuator and driver. Check that excessive force is not applied and that the cable is not damaged. Do not modify the enclosed cable (change the length or material) because this could cause malfunction or faults.
- 2** Connect the correct power supply. Connecting a nondesignated power supply could cause faults. Wait at least 10 seconds after turning power off (check that the motor output shaft is stopped) before turning it on again.
- 3** Securely fix the direct drive actuator to the machine, and securely install loads such as the table before adjusting gain. Confirm that no interference occurs and that the state is safe even when flexible sections are rotated.
- 4** Do not tap the output shaft with a hammer, nor assemble it forcibly. Failure to observe this would prevent the expected accuracy or functions, and could cause faults.
- 5** Do not place strong magnetic fields such as rare earth magnets near the actuator. It may not be able to maintain expected accuracy.
- 6** The actuator may become hot depending on operating conditions. Provide a cover, etc., so that it will not be touched by accident.
- 7** The driver surface may become hot depending on operating conditions. Put it inside the switchboard, etc. so that it cannot be touched.
- 8** Do not drill holes into the actuator. Contact CKD when machining is required.
- 9** Do not get on the actuator or flexible parts such as the rotary table on the actuator during maintenance, etc.
- 10** Compatible models
 - If the actuator and driver are combined mistakenly after program input (parameter setting), alarm 3 will be generated. Check the actuator and driver combination.
(Note) Alarm 3 occurs to prevent malfunction if the actuator and driver combination differ from when the program was input. Alarm 3 is reset when the program and parameters are input again.
 - If operation is started with an incorrect actuator and driver combination after the program is input (after parameter setting), malfunctions could occur or equipment be damaged.
 - When changing the cable length, order the cable separately.
 - If other than the compatible driver is connected, the actuator may be burned.
- 11** When using a circuit breaker, select one that has higher harmonic measures for inverter use.
- 12** The position of the output shaft in the actuator dimension drawing does not indicate the actuator's origin. When using it at the output shaft shown in dimension drawings, the origin must be adjusted to the origin offset.
- 13** The cables for the AX4009T and AX6000M Series are notmovable cables. Be sure to fix the cables in place at the connectors so that they do not move. Do not lift up the body by the cable or apply excessive force to the cable as the cable may break.
- 14** For additional notes, please refer to the instruction manual.



Caution

During use and maintenance

- 1** Do not disassemble the actuator, because this may compromise expected functions and accuracy. Any modification to the resolver could cause critical damage.
- 2** When testing withstand voltage of the machine or equipment containing the direct drive actuator, disconnect the main power cable to the direct drive actuator driver and check that the voltage is not applied to the driver. It can cause failure.
- 3** If alarm "4" (actuator overload: electronic thermal) is generated, wait for the actuator temperature to drop before restarting.
Alarm "4" could occur in the cases below. Remove the cause before resuming use.
 - Resonance or vibration: Ensure sufficient installation rigidity.
 - Tact or speed: Increase movement time or stopping time.
 - Structure that locks the output shaft: Add M68, M69 commands.
- 4** Actuator coordinates are recognized after power is turned on so check that the output shaft does not move for several seconds after power is turned on.
- 5** In the additional notes, with respect to troubleshooting for the alarm display, please refer to the instruction manual.

Electrical components Related products

Setup easier than ever before!
 "Instantaneous positioning" quick
 response direct drive actuator ABSODEX

ABSODEX Quick response type AX1000T, AX2000T, and AX4000T Series

New generation multi function direct drive motor.

Main features / specifications

- Energy saving. No need to replace or dispose lubricant. Space saving.
- Return to origin not required
- Smooth cam curve drive
- Compact & high torque
- Excellent operability
- You can select between TS type driver (Max. output 75N•m) and TH type driver (Max. output 150N•m or more).
- The driver also supports CC-Link, DeviceNet, and PROFIBUS-DP.



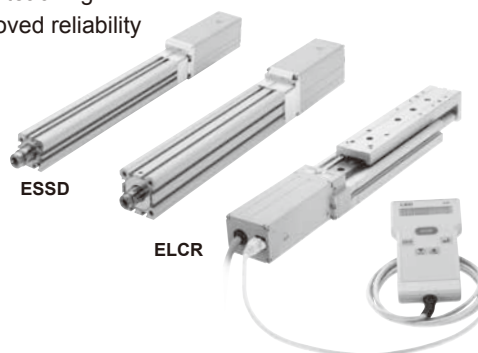
A wide range of variations
 to help save space

Electric driven actuator ESSD/ELCR Series

New electric actuators that are easy to use as pneumatic components.

Main features / specifications

- Built-in controller
- Installable like a pneumatic cylinder
- Motion control at will
- Easy teaching
- Improved reliability



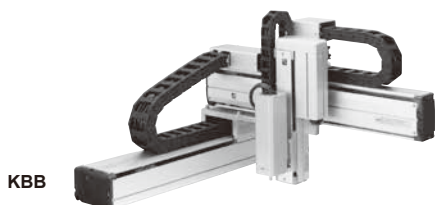
Environmentally friendly
 Replacements for pneumatic cylinders

Electric linear actuator KBB Series

Combination of up to 4 shafts.
 4 motor installation positions for each shaft.
 Select the best arrangement for the installation space
 to save space.

Main features / specifications

- Wide range: 50 to 400 W
- High speed and high precision
- Absolute specifications
- 2 types: ball screw and timing belt drive
- Reduction of repair parts inventory through BBS

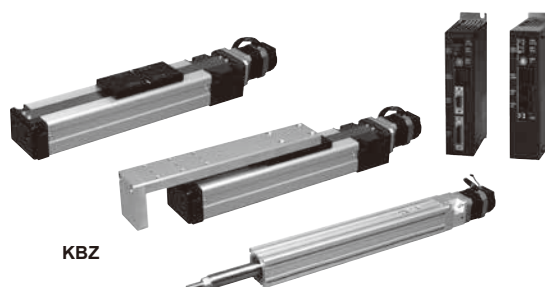


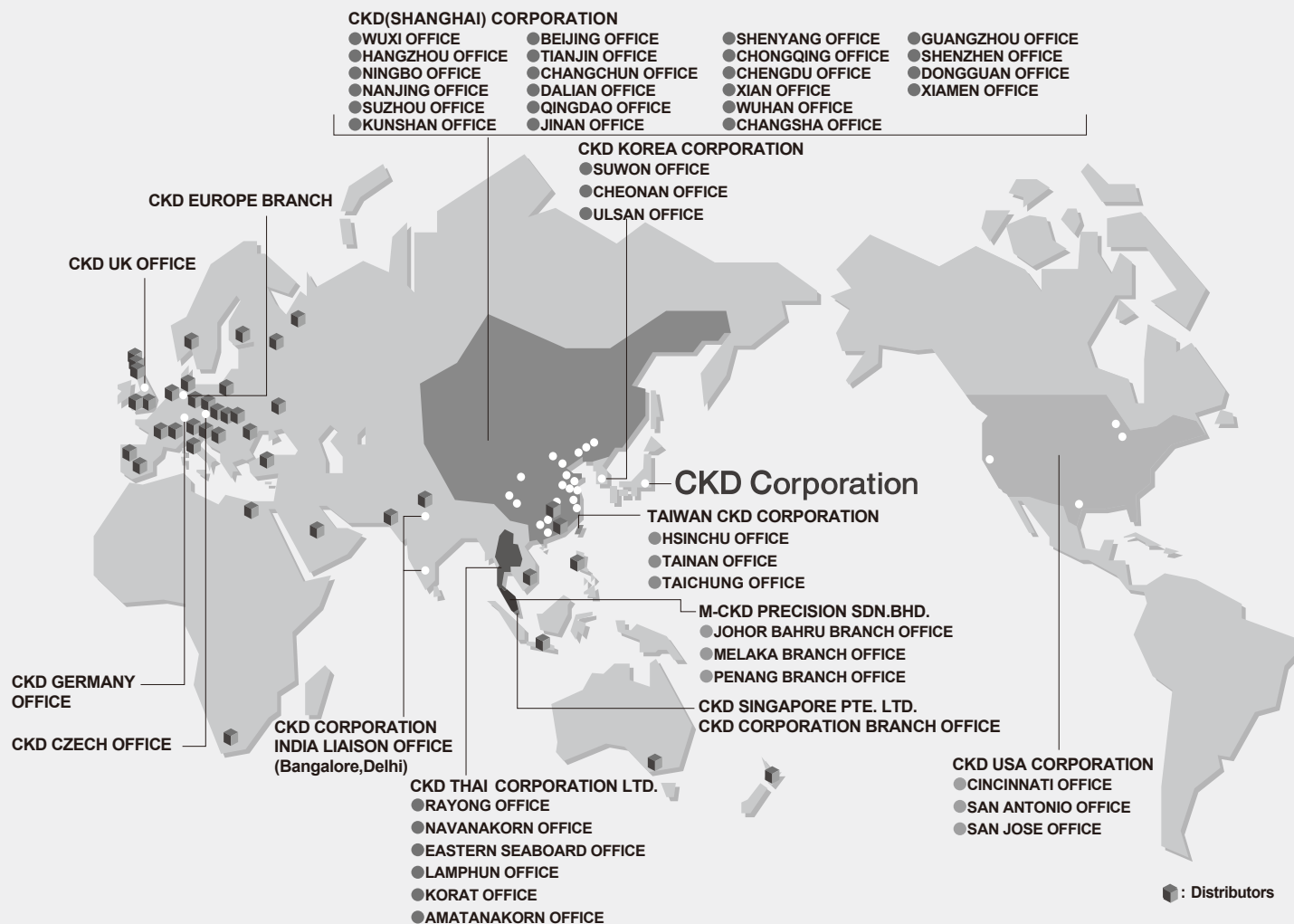
Electric driven actuator KBZ Series

Realize high-accuracy positioning.
 Moreover KBB combination is possible.

Main features / specifications

- Operation to a maximum of 1000mm/s is possible
- Realization of high speed, high acceleration and a high available load amount through a servo motor
- Adopt a return to reference point unnecessary absolute specification
- Small controller that achieves low cost in thorough miniaturization





CKD Corporation

Website <http://www.ckd.co.jp/>

- Overseas Sales Administration Department.
2-250 Oujii Komaki, Aichi 485-8551, Japan
- PHONE +81-(0)568-74-1338 FAX +81-(0)568-77-3461

U.S.A.

CKD USA CORPORATION

- Chicago Headquarters
4080 Winnetka Avenue, Rolling Meadows, IL 60008 USA
PHONE +1-847-368-0539 FAX +1-847-788-0575

Europe

CKD Corporation Europe Branch

De Fruittuinen 28, Hoofddorp, the Netherlands
PHONE +31-(0)23-5541490 FAX +31-(0)23-5541491

Malaysia

M-CKD Precision Sdn. Bhd.

- Head Office
Lot No.6, Jalan Modal 23/2, Seksyen 23, Kawasan, MIEL,
Fasa 8, 40300 Shah Alam, Selangor Darul Ehsan, Malaysia
PHONE +60-(0)3-5541-1468 FAX +60-(0)3-5541-1533

Thailand

CKD Thai Corporation Ltd.

- Sales Headquarters
Suwan Tower, 14/1 Soi Saladaeng 1, North Sathorn Road, Kwaeng
Silom, Khet Bangrak, Bangkok 10500, Thailand
PHONE +66-(0)2-267-6300 FAX +66-(0)2-267-6305

Singapore

CKD Singapore Pte. Ltd.

33 Tannery Lane, #04-01 Hoesteel Industrial Building, Singapore 347789, Singapore
PHONE +65-67442623 FAX +65-67442486

CKD Corporation Branch Office

33 Tannery Lane, #04-01 Hoesteel Industrial Building, Singapore 347789, Singapore
PHONE +65-67447260 FAX +65-68421022

Taiwan

Taiwan CKD Corporation

16F-3, No. 109, Sec. 1, Zhongshan Rd., Xinzhuang Dist.,
New Taipei City 242, Taiwan
PHONE +886-(0)2-8522-8198 FAX +886-(0)2-8522-8128

China

CKD (Shanghai) Corporation

- Sales Headquarters / Shanghai Office
Room 601, Yuanzhongkeyan Building, No. 1905 Hongmei Road,
Xuhui District, Shanghai 200233, China
PHONE +86-(0)21-61911888 FAX +86-(0)21-60905356

Korea

CKD Korea Corporation

- Headquarters
3rd Floor, Samyoung Building, 371-20,
Sinsu-Dong, Mapo-Gu, Seoul 121-856, Korea
PHONE +82-(0)2-783-5201~ 5203 FAX +82-(0)2-783-5204

The goods and their replicas, or the technology and software in this catalog are subject to complementary export regulations by Foreign Exchange and Foreign Trade Law of Japan.

If the goods and their replicas, or the technology and software in this catalog are to be exported, laws require the exporter to make sure they will never be used for the development or the manufacture of weapons for mass destruction.