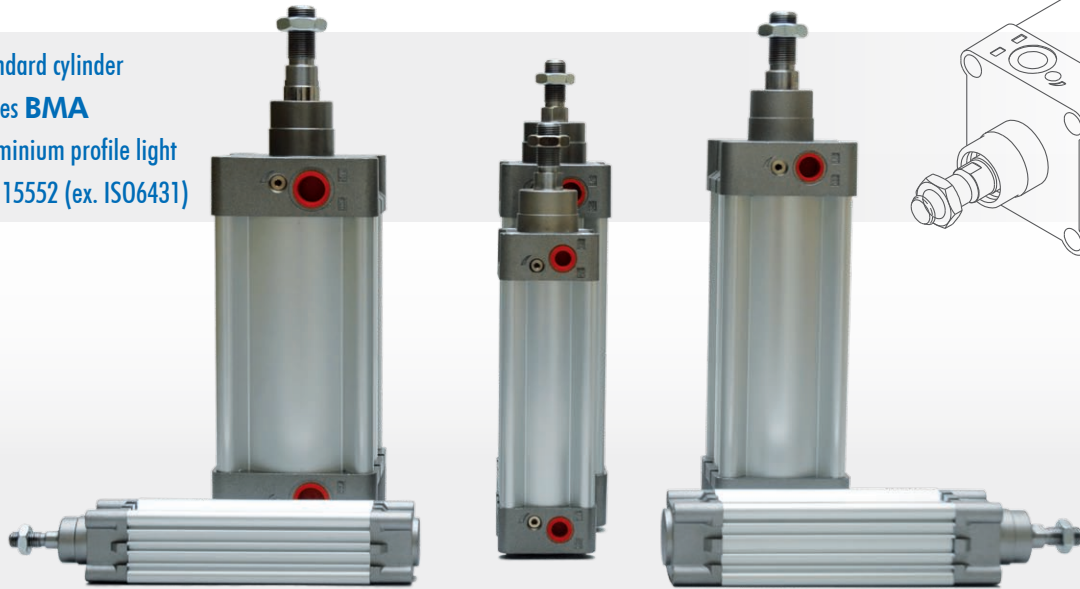


BIBUS - Pneumatic cylinder

Standard cylinder
Series **BMA**
Aluminium profile light
ISO 15552 (ex. ISO6431)



GENERAL DATA

Style	Profile cylinder light with integrated T-slot according to ISO15552 standard
Piston rod	Rolled stainless steel
Tube	Aluminium profile light, hard anodized
Kits	Aluminium alloy , heads painted
Seals	NBR, polyurethane
Cushioning	Pneumatic, adjustable - standard
Piston diameter [mm]	32, 40, 50, 63, 80, 100
Stroke [mm]	10 – 2500 *(1)
Ambient temperature [°C]	0 – 80
Working pressure [bar]	Max. 10
Medium	Compressed air – filtered
Lubrication	Not required
Proximity switches	Direct mounted in grooves (CSH recommended)
Special options	On demand

*(1) - Custom stroke length is available per 1 mm increment.

ITEM NUMBER / HOW TO ORDER

BMA	-	032	-	M		DA		-	0010	-	S000
		040		M magnetic - (standard)		DA (double acting)					Number of special version
		050		N non magnetic		RA (double acting through rod)					
		063									
		080									
		100									

Example: **BMA-032-MDA-0100** (light profile cylinder, Φ 32 mm, magnetic, double acting, stroke 100 mm)

Standard strokes for double acting cylinders:

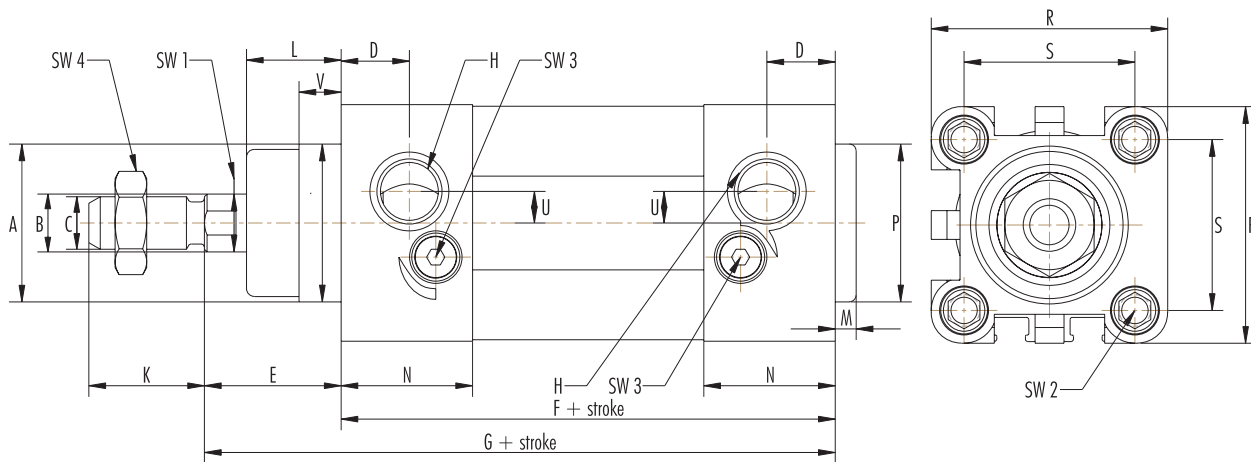
25 – 50 – 80 – 100 – 125 – 160 – 200 – 250 – 300 – 320 – 400 – 500 mm

Other strokes – on demand

Accessories

- Piston rod nut – included
- Rod forks, flanges, foot mount, trunnions – on demand

DIMENSIONS



∅	Type	A	B	C	D	E	F	G	H	K	L	M	N	P	R	S	U	V	SW1	SW2	SW3	SW4
32	BMA032...	30	12	M10x1,25	13	26	94	120	G1/8	22	18	4	25	30	45	32,5	6	8	10	6	3	17
40	BMA040...	35	16	M12x1,25	14,9	30	105	135	G1/4	24	21	4	29,7	35	51	38	6	10	13	6	3	19
50	BMA050...	40	20	M16x1,5	15,4	37	105,2	142,2	G1/4	32	28	4	29,6	40	64	46,5	8	14	17	8	3	24
63	BMA063...	45	20	M16x1,5	20	37	123	160	G3/8	32	28	4	36	45	75	56,5	10	14	17	8	4	24
80	BMA080...	45	25	M20x1,5	17	46	128	174	G3/8	40	34,5	4	36	45	93	72	13	16	22	10	4	30
100	BMA100...	45	25	M20x1,5	20,8	51	139,6	190,6	G1/2	40	37,5	4	38,8	45	112	89	12	18	22	10	4	30

The company reserves the right to vary models and dimensions without notice.

BIBUS[®]
SUPPORTING YOUR SUCCESS

BIBUS MENOS Sp. z o.o.

ul. Spadochroniarzy 18
80-298 Gdansk, Poland
tel. +48 58 660 95 70
fax +48 58 661 71 32
info@bibusmenos.pl
www.bibusmenos.pl

