

Manually operated valves Series 1, 3, 4 and VMS

2

Series 1, 3 and 4, 3/2, 5/2 and 5/3 - way C.C. C.O. C.P.

Ports G1/8 - G1/4

VMS Series, 3/2 - way

Ports G1/8 - G1/4 - G3/8 - G1/2



The Series 3 manual valves (G1/8, 3/2 and 5/2-way) and the Series 4 manual valves (G1/4, 3/2, 5/2 and 5/3-way) are available with devices designed to satisfy different needs. The 3/2-way valves Series 3 and 4) are normally closed when 1 is the inlet; they can also be normally open when 3 is the inlet.

The 5/2 way valves for Series 3 and 4 maybe supplied via the ports 3 and 5 with two different pressures if a cylinder has to be operated using a delivery pressure which is different from the return pressure.

The Series 1 valves are provided with two devices : pushbutton (3/2-way) and lever (3/2 and 5/2-way).

GENERAL DATA

Construction	spool-type (Series 3 and 4) - poppet-type (Series 1) - slide (Series VMS)
Valve group	3/2 - 5/2 - 5/3 way/pos.
Materials	aluminium body, stainless steel spool, NBR seals
Ports	G1/8 - G1/4
Ambient temperature	0°C + 60°C
Medium temperature	0°C + 50°C
Operating pressure	see models
Fluid	Filtered air, without lubrication. If lubricated air is used, it is recommended to use ISO VG32 oil. Once applied the lubrication should never be interrupted.

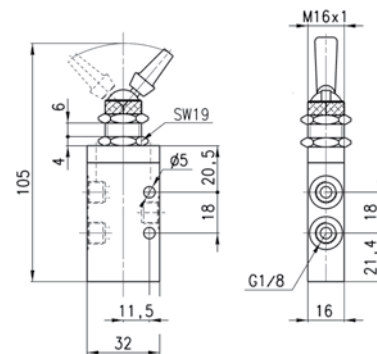
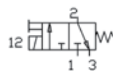
CODING EXAMPLE

3	3	8	-	900
---	---	---	---	-----

3	<p>SERIES:</p> <p>1</p> <p>3</p> <p>4</p>
5	<p>FUNCTION:</p> <p>3 = 3/2 way N.C.</p> <p>5 = 5/2 way</p> <p>6 = 5/3 way C.O.</p> <p>7 = 5/3 way C.O.</p>
8	<p>PORTS:</p> <p>8 = G1/8</p> <p>4 = G1/4</p>
900	<p>RESETTING:</p> <p>895 = pushbutton, monostable, black</p> <p>896 = pushbutton, monostable, green</p> <p>897 = pushbutton, monostable, red</p> <p>900 = lever, bistable</p> <p>905 = lever, monostable</p> <p>910 = knob, bistable</p> <p>915 = knob, monostable</p> <p>935 = digital monostable</p> <p>975 = palm-switch, monostable, black</p> <p>976 = palm-switch, monostable, green</p> <p>977 = palm-switch, monostable, red</p> <p>990 = switch, bistable</p>

Valve

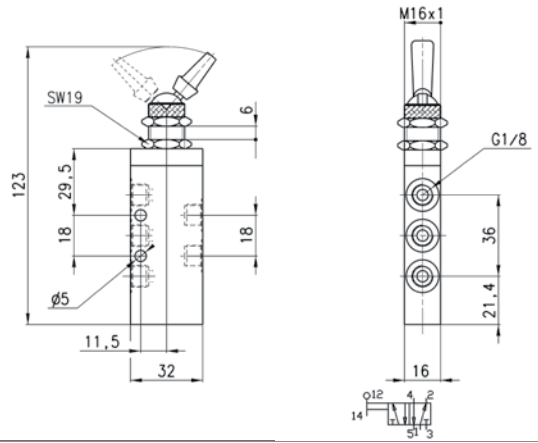
Actuating force = 18N
 Operating pressure = -0,9 ÷ 10 bar
 Flow rate = 700 NI/min.



Mod.
 338-990

Valve

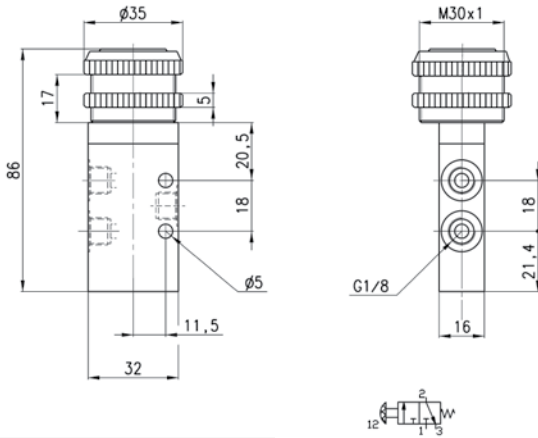
Actuating force = 18N
 Operating pressure = -0,9 ÷ 10 bar
 Flow rate = 700 NI/min.



Mod.	
358-990	

Valves

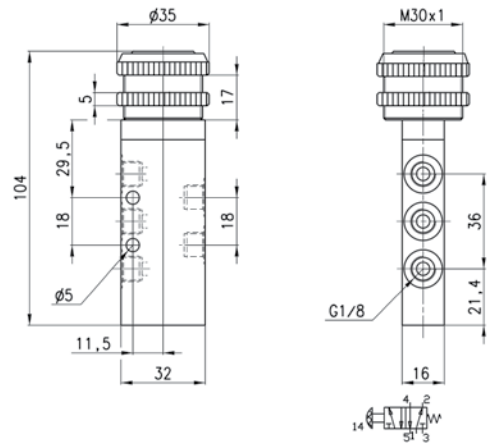
Actuating force = 35N
 Operating pressure = -0,9 ÷ 10 bar
 Flow rate = 700 NI/min.



Mod.	Colors
338-895	Black
338-896	Green
338-897	Red

Valves

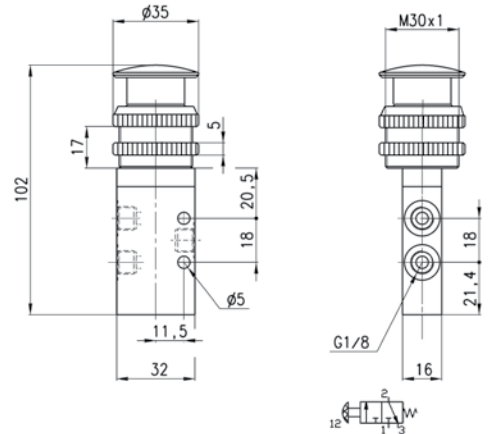
Actuating force = 35N
 Operating pressure = -0,9 ÷ 10 bar
 Flow rate = 700 NI/min.



Mod.	Colors
358-895	Black
358-896	Green
358-897	Red

Valves

Actuating force = 35N
 Operating pressure = -0,9 ÷ 10 bar
 Flow rate = 700 NI/min.

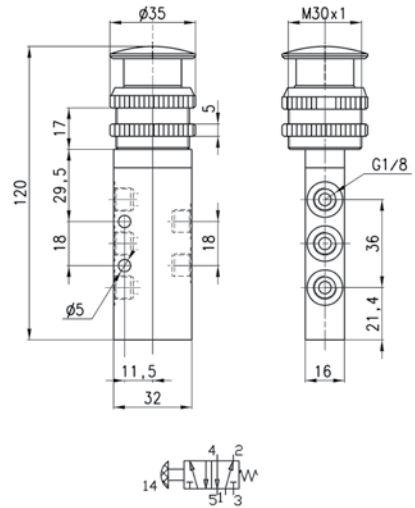


Mod.	Colors
338-975	Black
338-976	Green
338-977	Red

Valves



Actuating force = 35N
 Operating pressure = -0,9 ÷ 10 bar
 Flow rate = 700 NI/min.

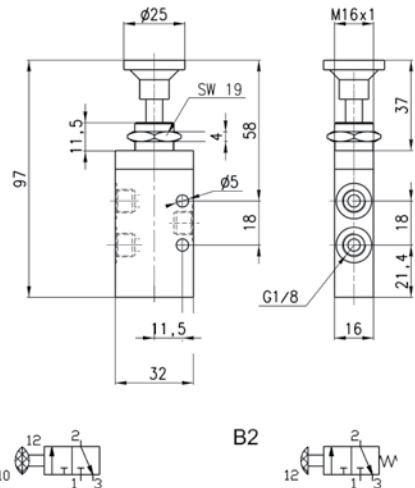


Mod.	Colors
358-975	Black
358-976	Green
358-977	Red

Valves



338-910 Actuating force = 6N
 338-915 Actuating force = 35N
 Operating pressure = -0,9 ÷ 10 bar
 Flow rate = 700 NI/min.

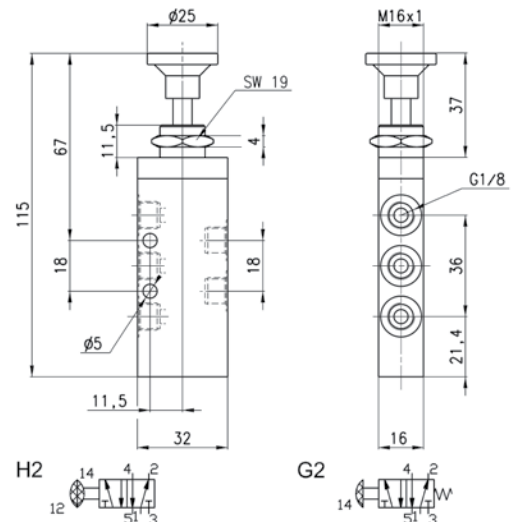


Mod.	Symbol
338-910	A2
338-915	B2

Valves



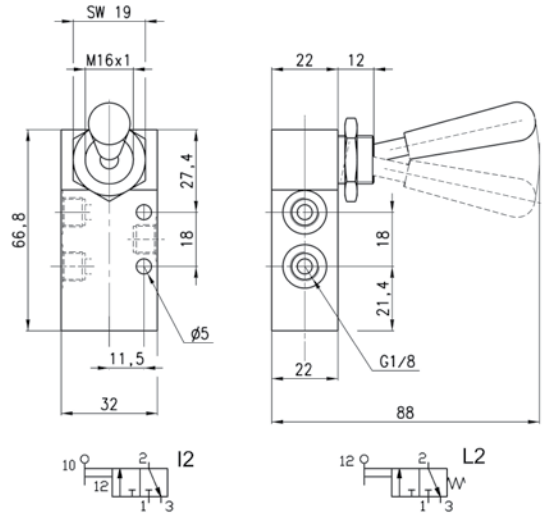
358-910 Actuating force = 6N
 358-915 Actuating force = 35N
 Operating pressure = -0,9 ÷ 10 bar
 Flow rate = 700 NI/min.



Mod.	Symbol
358-910	H2
358-915	G2

Valves

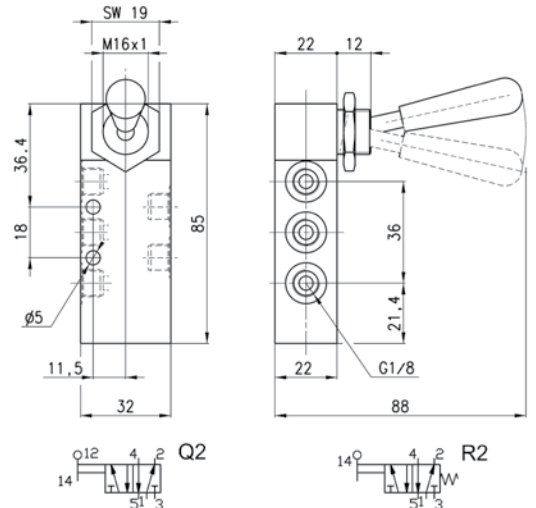
338-910 Actuating force = 6N
 338-915 Actuating force = 35N
 Operating pressure = -0,9 ÷ 10 bar
 Flow rate = 700 NI/min.



Mod.	Symbol
338-900	I2
338-905	L2

Valves

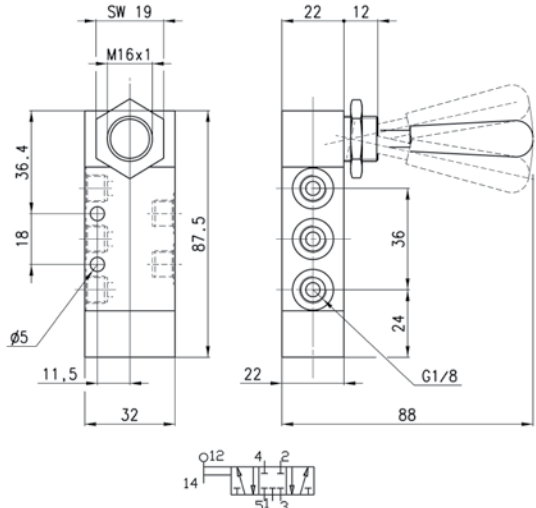
358-900 Actuating force = 5N
 358-905 Actuating force = 22N
 Operating pressure = -0,9 ÷ 10 bar
 Flow rate = 700 NI/min.



Mod.	Symbol
358-900	Q2
358-905	R2

Valve

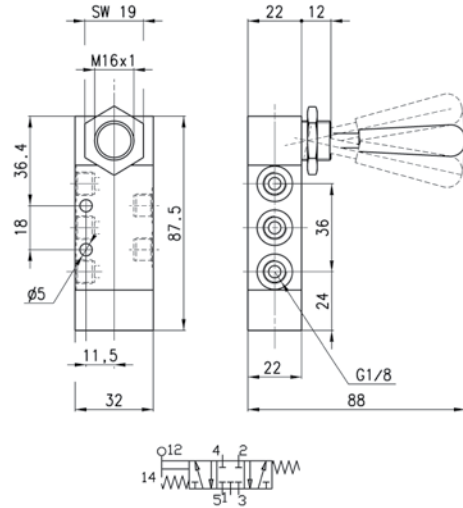
Actuating force = 5N
 Operating pressure = -0,9 ÷ 10 bar
 Flow rate = 500 NI/min.



Mod.
368-900

Valve

Actuating force = 20N
 Operating pressure = -0,9 ÷ 10 bar
 Flow rate = 500 NI/min.

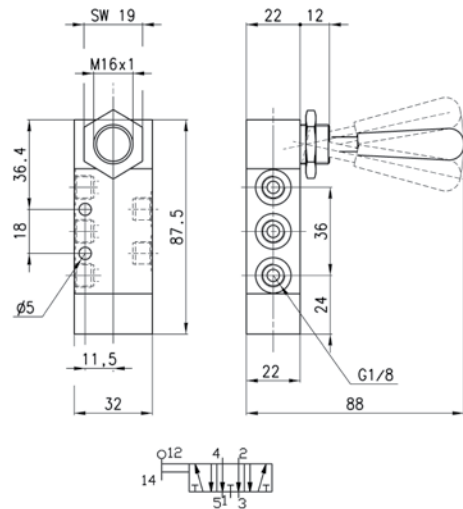


Mod.

368-905

Valve

Actuating force = 5N
 Operating pressure = -0,9 ÷ 10 bar
 Flow rate = 500 NI/min.

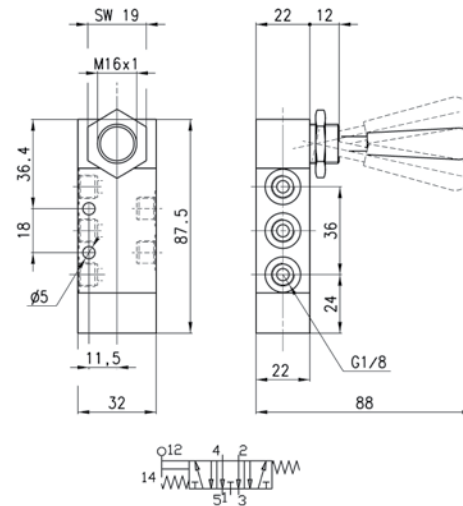


Mod.

378-900

Valve

Actuating force = 20N
 Operating pressure = -0,9 ÷ 10 bar
 Flow rate = 500 NI/min.

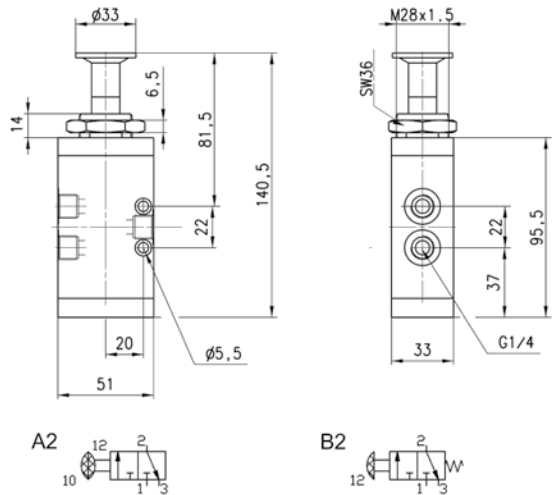


Mod.

378-905

Valves

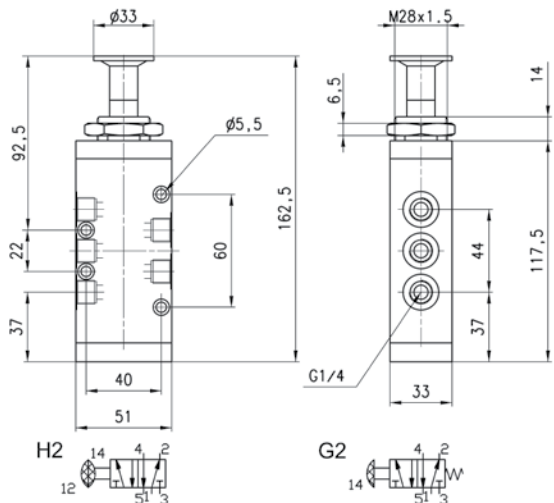
434-910 actuating force = 10N
 434-915 actuating force = 37N
 Operating pressure = -0,9 ÷ 10 bar
 Flow rate = 1250 NI/min.



Mod.	Symbol
434-910	A2
434-915	B2

Valves

454-910 actuating force = 10N
 454-915 actuating force = 37N
 Operating pressure = -0,9 ÷ 10 bar
 Flow rate = 1250 NI/min.

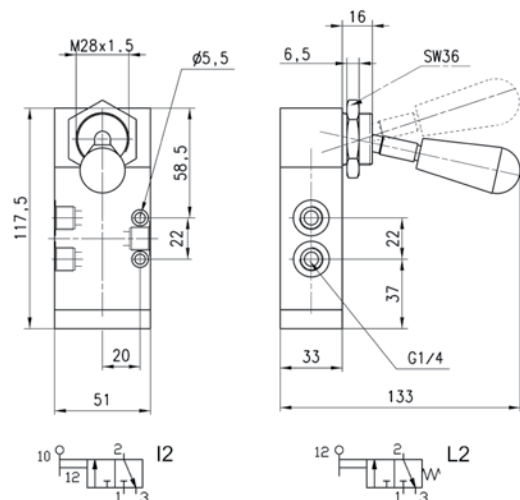


DIMENSIONS

Mod.	Symbol
454-910	H2
454-915	G2

Valves

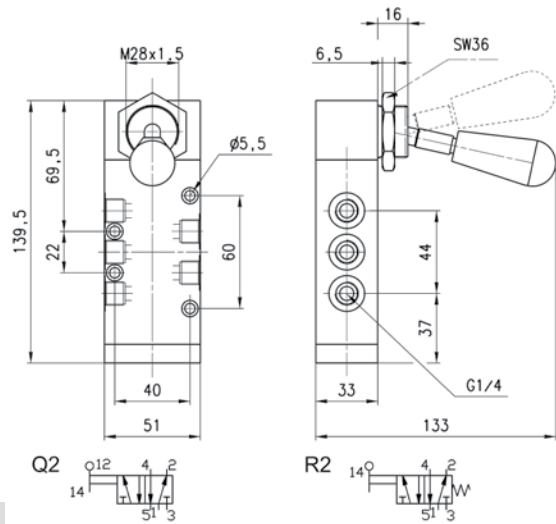
434-900 actuating force = 5N
 434-905 actuating force = 37N
 Operating pressure = -0,9 ÷ 10 bar
 Flow rate = 1250 NI/min.



Mod.	Symbol
434-900	I2
434-905	L2

Valves

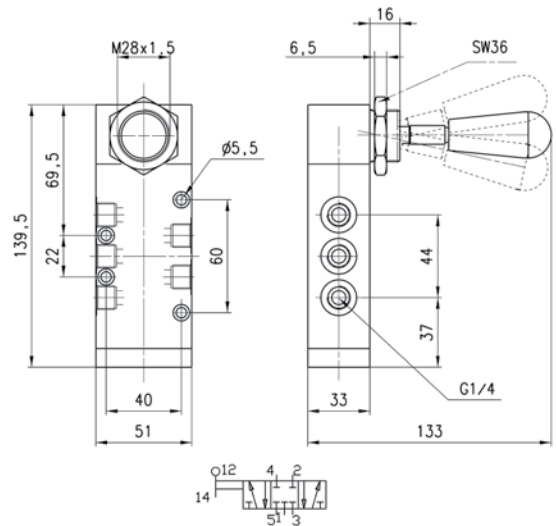
454-900 actuating force = 5N
 454-905 actuating force = 37N
 Operating pressure = -0,9 ÷ 10 bar
 Flow rate = 1250 NI/min.



Mod.	Symbol
454-900	Q2
454-905	R2

Valve

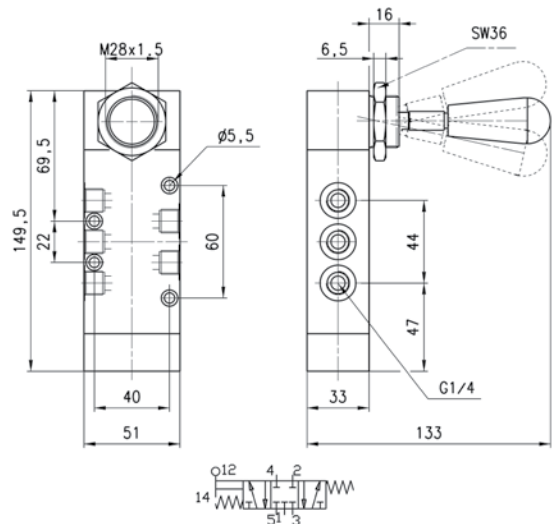
Actuating force = 5N
 Operating pressure = -0,9 ÷ 10 bar
 Flow rate = 1250 NI/min.



Mod.
464-900

Valve

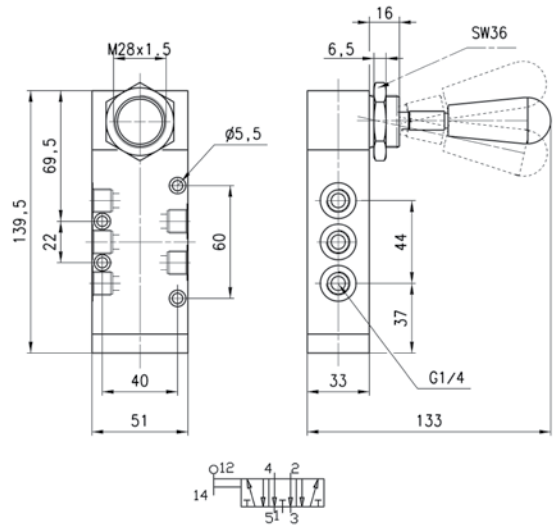
Actuating force = 10N
 Operating pressure = -0,9 ÷ 10 bar
 Flow rate = 1250 NI/min.



Mod.
464-905

Valve

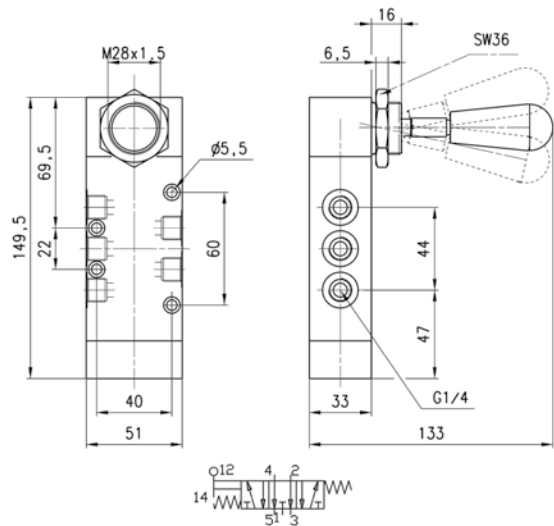
Actuating force = 5N
 Operating pressure = -0,9 ÷ 10 bar
 Flow rate = 1250 NI/min.



Mod.
474-900

Valve

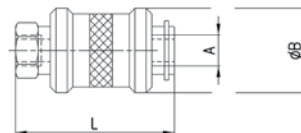
Actuating force = 10N
 Operating pressure = -0,9 ÷ 10 bar
 Flow rate = 1250 NI/min.



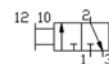
Mod.
474-905

Valves

Operating pressure: 0 ÷ 8 bar
 Operating temperature: - 10 ÷ 80°C.

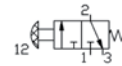
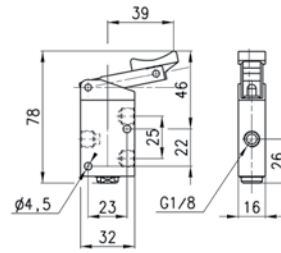


Mod.	A	ØB	L	Flow rate NI/min P-A	Flow rate NI/min A-R
VMS-105-M5	M5	14,2	30,5	98,5	129,5
VMS-118-1/8	G1/8	25	48	680	700
VMS-114-1/4	G1/4	30	58	1250	1500
VMS-138-3/8	G3/8	35	70	2100	2250
VMS-112-1/2	G1/2	40	75	3800	4300
VMS-134-3/4	G3/4	49	83	5680	5750



Valve

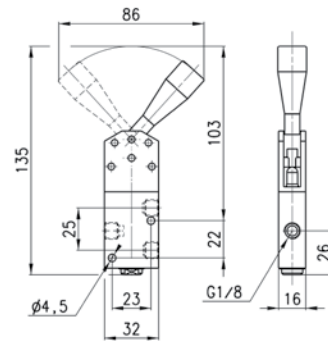
Actuating force at 6 bar = 38N
 Operating pressure = 0 ÷ 10 bar
 Flow rate = 500 NI/min.



Mod.
138-935

Valve

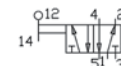
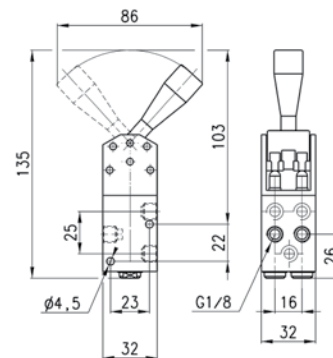
Actuating force at 6 bar = 25N
 Operating pressure = 0 ÷ 10 bar
 Flow rate = 500 NI/min.



Mod.
138-900

Valve

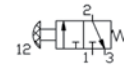
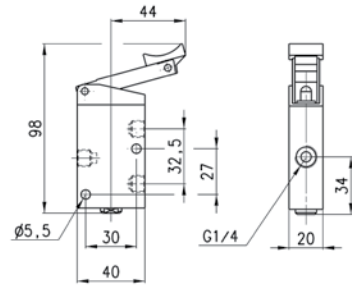
Actuating force at 6 bar = 45N
 Operating pressure = 0 ÷ 10 bar
 Flow rate = 500 NI/min.



Mod.
158-900

Valve

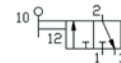
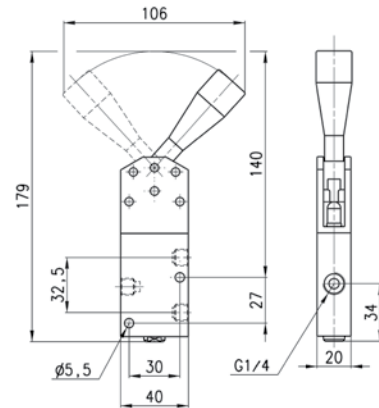
Actuating force at 6 bar = 40N
 Operating pressure = 0 ÷ 10 bar
 Flow rate = 1250 NI/min.



Mod.
 134-935

Valve

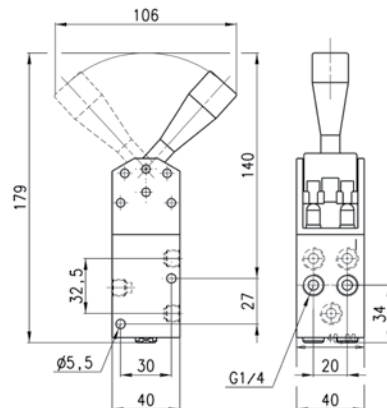
Actuating force at 6 bar = 30N
 Operating pressure = 0 ÷ 10 bar
 Flow rate = 1250 NI/min.



Mod.
 134-900

Valve

Actuating force at 6 bar = 55N
 Operating pressure = 0 ÷ 10 bar
 Flow rate = 1250 NI/min.



Mod.
 154-900