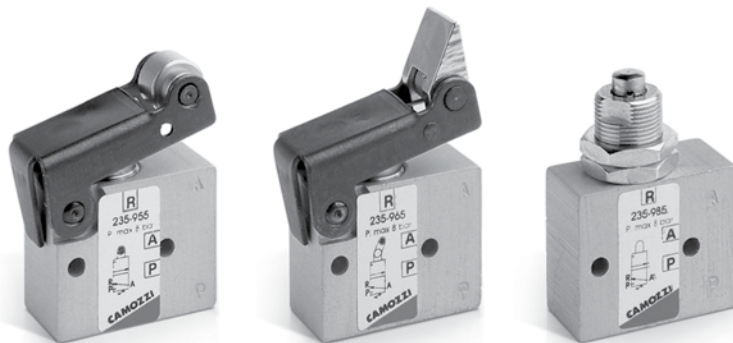


Mechanically operated minivalves Series 2

3/2-way

Ports M5, cartridge \varnothing 4



The mechanically operated miniature valves Series 2 with 3/2 normally closed function are available with M5 threaded ports or with an integrated super-rapid fitting for tubes \varnothing 4. The devices are actuated by a plunger, roller/lever or a unidirectional lever.

GENERAL DATA

Construction	poppet - type (closed centre)
Valve group	3/2 way/pos., normally closed
Materials	aluminium body, OT58 (brass) plunger, NBR seals
Mounting	by through - holes in valve body
Ports	M5, cartridge dia. 4
Ambient temperature	0°C + 60°C
Medium temperature	0°C + 50°C
Operating pressure	see models
Fluid	Filtered air, without lubrication. If lubricated air is used, it is recommended to use ISO VG32 oil. Once applied the lubrication should never be interrupted.

CODING EXAMPLE

2	3	4	-	94	5
---	---	---	---	----	---

2	SERIES
3	FUNCTION 3 = 3/2-way NC 4 = 3/2-way NO
4	PORTS 4 = cartridge \varnothing 4 5 = M5
94	ACTUATION 94 = plunger 95 = lever/roller 96 = unidirectional lever 98 = plunger, panel mounting
5	RESETTING 5 = spring return

2

CONTROL

Minivalves

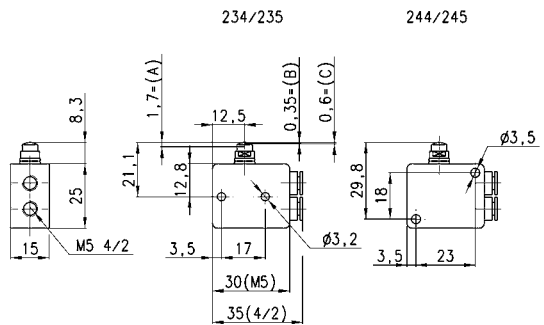
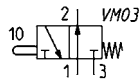
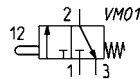
Operating pressure = 2 ÷ 8 bar
Flow rate = 60 NI/min.

Actuating force at 6 bar = 6 N

A = Complete stroke

B = Centres closed position

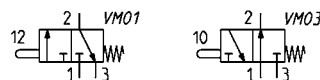
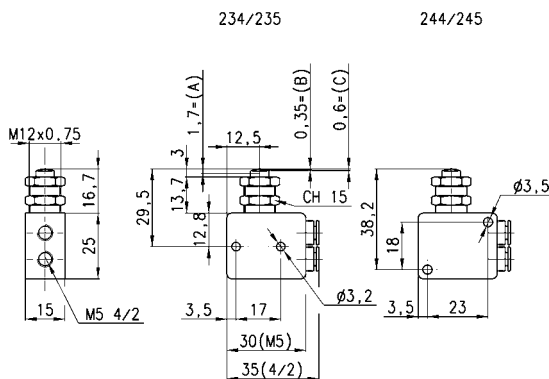
C = Effective stroke



Mod.	SYMBOL
234-945	VM01
235-945	VM01
244-945	VM03
245-945	VM03

Minivalves

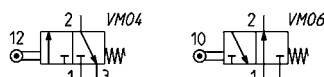
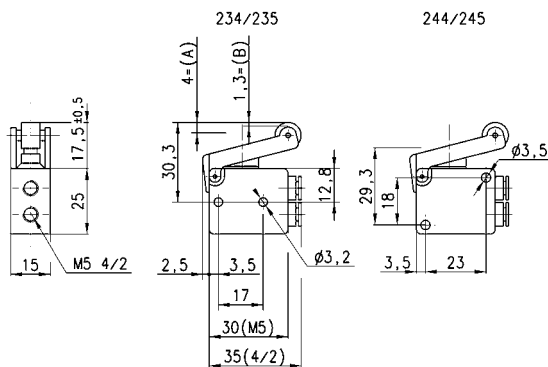
Operating pressure = 2 ÷ 8 bar
 Flow rate = 60 NI/min.
 Actuating force at 6 bar = 6 N
 A = Complete stroke
 B = Centres closed position
 C = Effective stroke



Mod.	SYMBOL
234-985	VM01
235-985	VM01
244-985	VM03
245-985	VM03

Minivalves

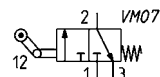
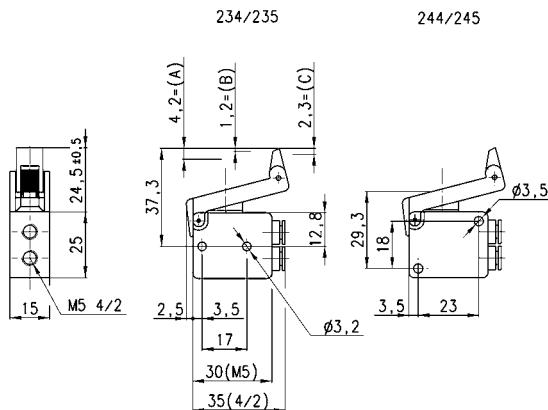
Operating pressure = 2 ÷ 8 bar
 Flow rate = 60 NI/min.
 Actuating force at 6 bar = 4 N
 A = Complete stroke
 B = Centres closed position
 C = Effective stroke



Mod.	SYMBOL
234-955	VM04
235-955	VM04
244-955	VM06
245-955	VM06

Minivalves

Operating pressure = 2 ÷ 8 bar
 Flow rate = 60 NI/min.
 Actuating force at 6 bar = 6 N
 A = Complete stroke
 B = Centres closed position
 C = Effective stroke



Mod.
234-965
235-965
244-965
245-965