

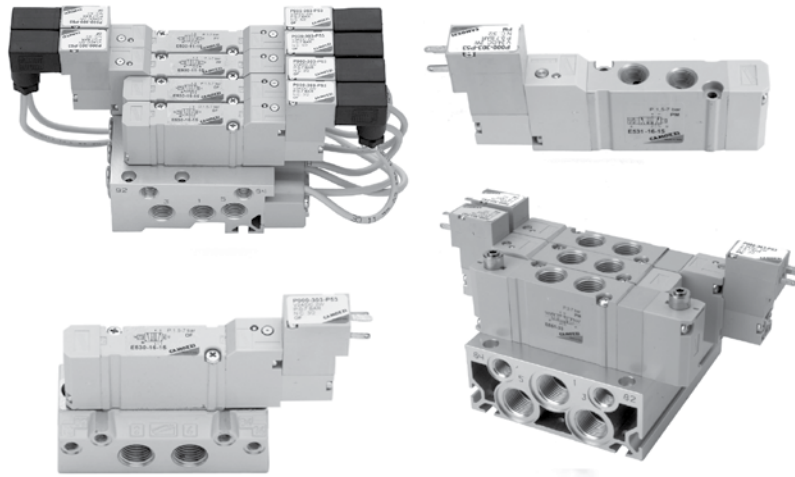
Valves and solenoid valves Series E

2

5/2 -way monostable/bistable 5/3 C.C. C.O. C.P.

With outlets on the body

For individual or manifold assembly, Size 10,5, 16 and 19 mm



The Series E valves have been designed to allow high flows with small overall dimensions. These valves are manufactured in three different sizes and are suitable for individual use or for mounting on manifolds.

The manifolds allow a common inlet as well as the two exhausts and the pilot exhaust in common.

GENERAL DATA

| | |
|----------------------------|---|
| Construction | spool-type |
| Valve group | 5/2 (5ports / 2 positions), 5/3 (5ports / 3 positions) |
| Materials | aluminium body, spool and sub-bases; technopolymer end-covers, joints NBR PU |
| Ports | M5, G1/8, G1/4, tube 4 |
| Temperature | 0°C min. + 50°C max |
| Fluid | filtered air (5 micron or lower), without lubricant; if lubricated air is used, it is recommended to use ISOVG32 oil. Once applied the lubrication should never be interrupted. |
| Voltage | see coding |
| Voltage tolerance | ± 10% |
| Power consumption | 2W, 1W |
| Class of insulation | class F |
| Protection class | IP65 with connector DIN 40050 size 10,5 IP50 |

CODING EXAMPLE

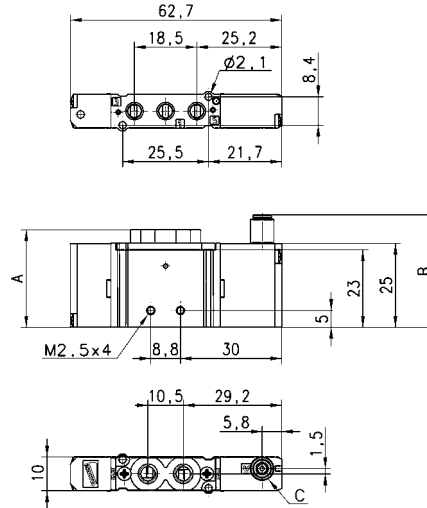
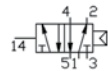
| | | | | | | | | | | |
|----------|----------|----------|----------|----------|-----------|-----------|----------|----------|----------|----------|
| E | 5 | 3 | 1 | - | 11 | 15 | - | P | 5 | 3 |
|----------|----------|----------|----------|----------|-----------|-----------|----------|----------|----------|----------|

| | |
|-----------|--|
| E | SERIES |
| 5 | FUNCTION: 2 = 5/2 (5 ports/2 positions) supply from the exhausts 5 = 5/2 (5 ports/2 positions) 6 = 5/3 centre closed 7 = 5/3 centre open 8 = 5/3 pressure centre |
| 3 | SIZE: 2 = size 10,5 3 = size 16 5 = size 19 |
| 1 | BODY TYPE: 1 = body with threaded plate |
| 11 | ACTUATION: 11 = electro-pneumatic, bistable 16 = electro-pneumatic, monostable 33 = pneumatic bistable - tube 3 36 = pneumatic monostable - tube 4 C33 = pneumatic bistable - tube 4 C36 = pneumatic monostable - tube 4 |
| 15 | INTERFACE: 10 15 |
| P | TYPE OF SOLENOID: K P W |
| 5 | SOLENOID DIMENSION: 1 = 10x10 5 = 15x15 |
| 3 | SOLENOID VOLTAGE: 1 = 6V DC (size 10,5) 2 = 12V DC (size 10,5) 3 = 24V DC (size 10,5 - 16 - 19) 4 = 48V DC (size 16 - 19) 6 = 110V DC (size 16 - 19) L = 12V 50/60 Hz (size 16 - 19) B = 24V 50/60 Hz (size 16 - 19) C = 48V 50/60 Hz (size 16 - 19) D = 110V 50/60 Hz (size 16 - 19) |

Pneumatically actuated valve, monostable - size 10,5

5/2 way.

Note: the pilot pressure should never be lower than the operating pressure.

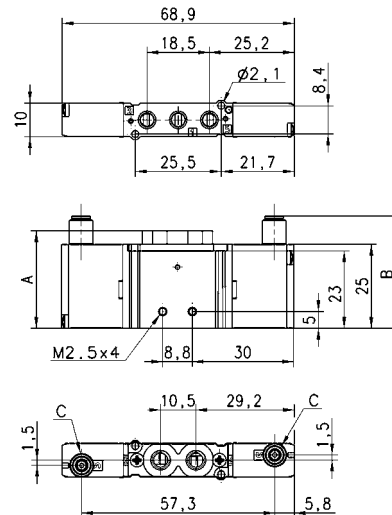
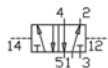


DIMENSIONS

| Mod. | A | B | C | Ports 1-3-5 | Ports 2-4 | min. pil P. bar | working P. bar | Flow rate NL/min |
|-----------------|----|------|-----|-------------|-----------|-----------------|----------------|------------------|
| E521-36 | 29 | 33,4 | Ø 3 | M5 | M5 | 2,5 | 2,5 + 7 | 200 |
| E521-C36 | 29 | 39,1 | Ø 4 | M5 | M5 | 2,5 | 2,5 + 7 | 200 |

Pneumatically actuated valve, bistable - size 10,5

5/2 way

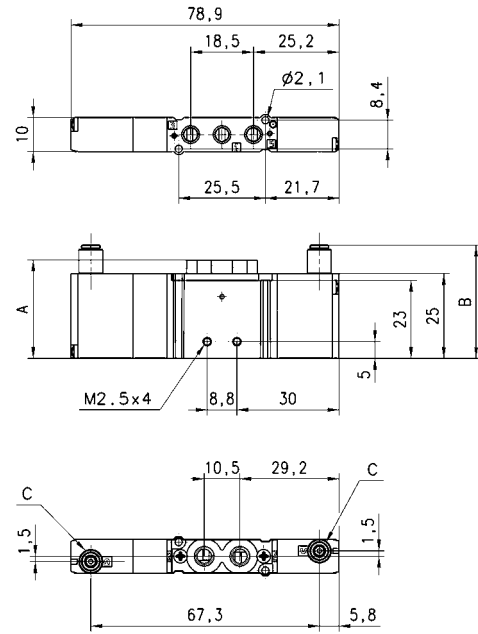


DIMENSIONS

| Mod. | A | B | C | Ports 1-3-5 | Ports 2-4 | min. pil P. bar | working P. bar | Flow rate NL/min |
|-----------------|----|------|-----|-------------|-----------|-----------------|----------------|------------------|
| E521-33 | 29 | 33,4 | Ø 3 | M5 | M5 | 1 | -09 + 7 | 200 |
| E521-C33 | 29 | 39,1 | Ø 4 | M5 | M5 | 1 | -09 + 7 | 200 |

Pneumatically actuated valve - size 10,5

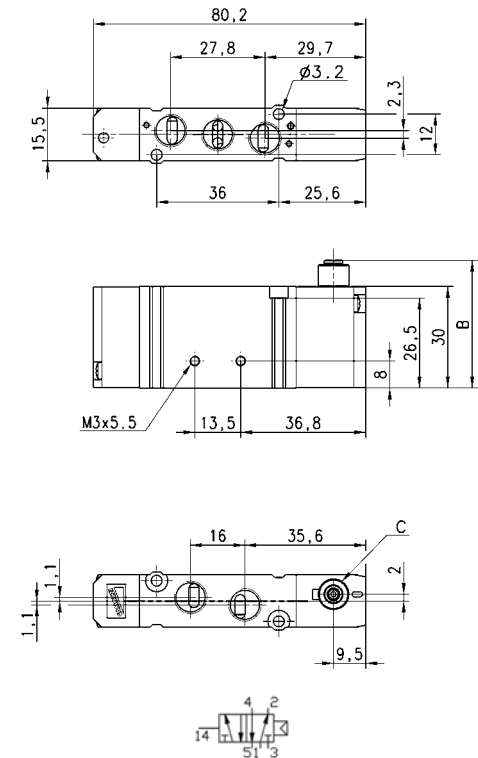
5/3 way
 C.C. = Centres closed
 C.O. = Centres open
 C.P. = Pressure centres



| DIMENSIONS | | | | | | | | | | |
|-----------------|----|------|-----|-------------|-----------|-----------------|----------------|------------------|--------|--|
| Mod. | A | B | C | Ports 1-3-5 | Ports 2-4 | min. pil P. bar | working P. bar | Flow rate NL/min | Symbol | |
| E621-33 | 29 | 33,4 | Ø 3 | M5 | M5 | 1 | -0,9 ÷ 7 | 200 | B1 | |
| E621-C33 | 29 | 39,1 | Ø 4 | M5 | M5 | 1 | -0,9 ÷ 7 | 200 | B1 | |
| E721-33 | 29 | 33,4 | Ø 3 | M5 | M5 | 1 | -0,9 ÷ 7 | 200 | C1 | |
| E721-C33 | 29 | 39,1 | Ø 4 | M5 | M5 | 1 | -0,9 ÷ 7 | 200 | C1 | |
| E821-33 | 29 | 33,4 | Ø 3 | M5 | M5 | 1 | -0,9 ÷ 7 | 200 | D1 | |
| E821-C33 | 29 | 39,1 | Ø 4 | M5 | M5 | 1 | -0,9 ÷ 7 | 200 | D1 | |

Pneumatically actuated valve, monostable - size 16

5/2 ways

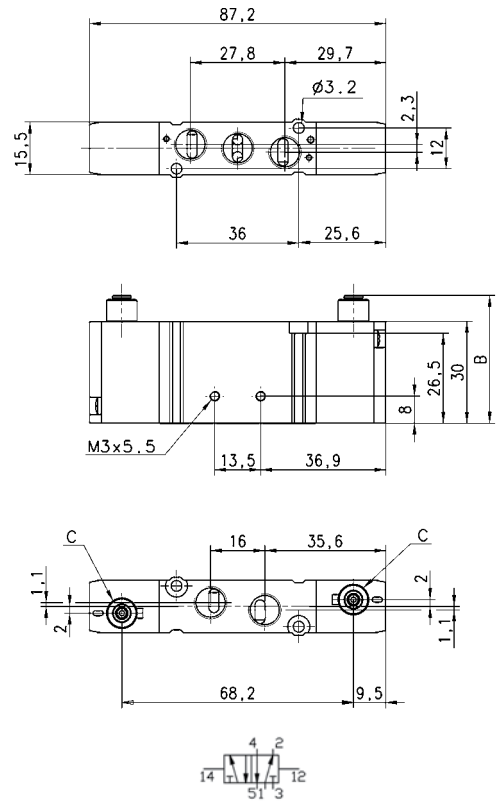


| DIMENSIONS | | | | | | | |
|-----------------|------|-----|-------------|-----------|-----------------|----------------|------------------|
| Mod. | B | C | Ports 1-3-5 | Ports 2-4 | min. pil P. bar | working P. bar | Flow rate NL/min |
| E531-36 | 37,6 | Ø 3 | G1/8 | G1/8 | 2,5 | 2,5 ÷ 7 | 550 |
| E531-C36 | 41,6 | Ø 4 | G1/8 | G1/8 | 2,5 | 2,5 ÷ 7 | 550 |

N.B.: The pilot pressure should never be lower than the operating pressure.

Pneumatically actuated valve, bistable - size 16

5/2 way

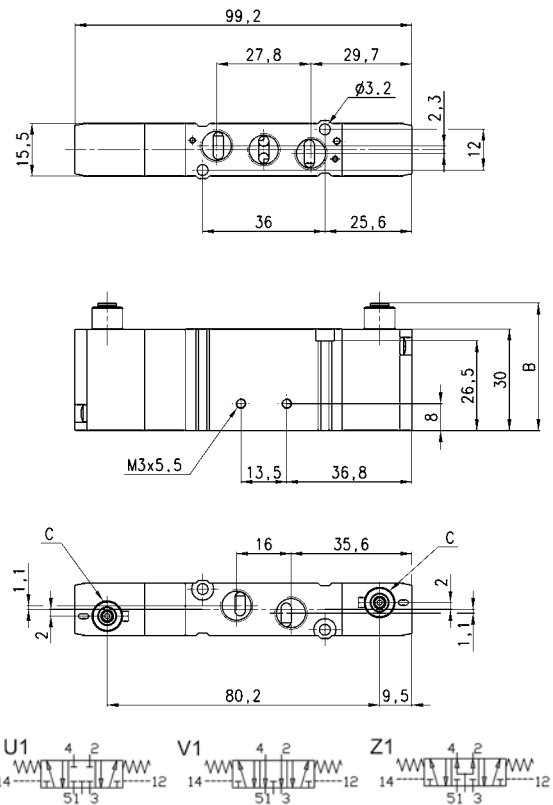


| DIMENSIONS | | | | | | | |
|-----------------|------|-----|-------------|-----------|-----------------|----------------|------------------|
| Mod. | B | C | Ports 1-3-5 | Ports 2-4 | min. pil P. bar | working P. bar | Flow rate NL/min |
| E531-33 | 37,6 | Ø 3 | G1/8 | G1/8 | 2 | -0,9 + 7 | 550 |
| E531-C33 | 41,6 | Ø 4 | G1/8 | G1/8 | 2 | -0,9 + 7 | 550 |

Pneumatically actuated valve - size 16

5/3 way

- C.C. = Centres closed
- C.O. = Centres open
- C.P. = Pressure centres



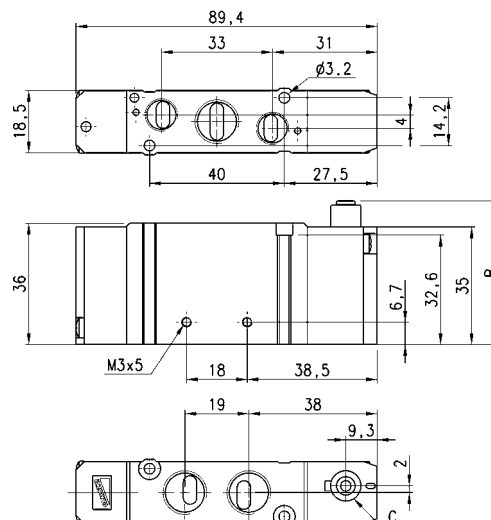
| DIMENSIONS | | | | | | | | |
|-----------------|------|-----|-------------|-----------|-----------------|----------------|------------------|--------|
| Mod. | B | C | Ports 1-3-5 | Ports 2-4 | min. pil P. bar | working P. bar | Flow rate NL/min | Symbol |
| E631-33 | 37,6 | Ø 3 | G1/8 | G1/8 | 3 | -0,9 + 7 | 550 | U1 |
| E631-C33 | 41,6 | Ø 4 | G1/8 | G1/8 | 3 | -0,9 + 7 | 550 | U1 |
| E731-33 | 37,6 | Ø 3 | G1/8 | G1/8 | 3 | -0,9 + 7 | 550 | V1 |
| E731-C33 | 41,6 | Ø 4 | G1/8 | G1/8 | 3 | -0,9 + 7 | 550 | V1 |
| E831-33 | 37,6 | Ø 3 | G1/8 | G1/8 | 3 | -0,9 + 7 | 550 | Z1 |
| E831-C33 | 41,6 | Ø 4 | G1/8 | G1/8 | 3 | -0,9 + 7 | 550 | Z1 |

Pneumatically actuated valve, monostable - size 19

5/2 ways



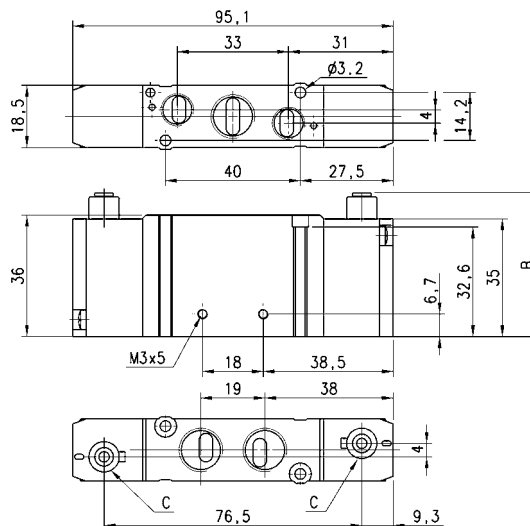
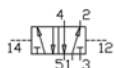
Note: The pilot pressure should never be lower than the operating pressure.



| DIMENSIONS | | | | | | | | |
|-----------------|------|-----|-------|-----------|-----------|-----------------|----------------|------------------|
| Mod. | B | C | 1 | Ports 3-5 | Ports 2-4 | min. pil P. bar | working P. bar | Flow rate NI/min |
| E551-36 | 42,7 | Ø 3 | G 1/4 | G 1/8 | G 1/4 | 2 | 1 + 7 | 920 |
| E551-C36 | 46,7 | Ø 4 | G 1/4 | G 1/8 | G 1/4 | 2 | 1 + 7 | 920 |

Pneumatically actuated valve, bistable - size 19

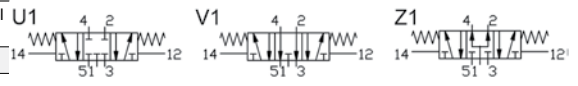
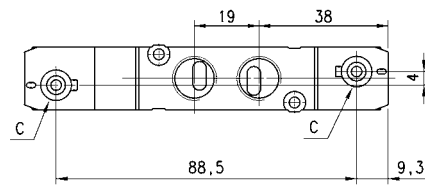
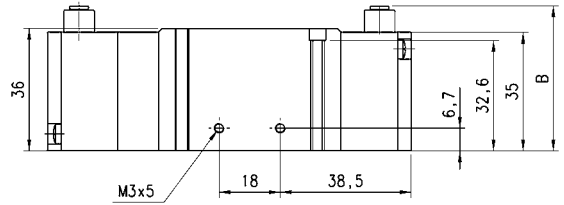
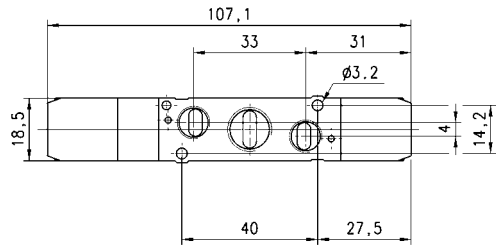
5/2 way.



| DIMENSIONS | | | | | | | | |
|-----------------|------|-----|-------|-----------|-----------|-----------------|----------------|------------------|
| Mod. | B | C | 1 | Ports 3-5 | Ports 2-4 | min. pil P. bar | working P. bar | Flow rate NI/min |
| E551-33 | 42,7 | Ø 3 | G 1/4 | G 1/8 | G 1/4 | 1 | -0,9 + 7 | 920 |
| E551-C33 | 46,7 | Ø 4 | G 1/4 | G 1/8 | G 1/4 | 1 | -0,9 + 7 | 920 |

Pneumatically actuated valve - size 19

5/3 way,
 C.C. = Centres closed
 C.O. = Centres open
 C.P. = Pressure centres

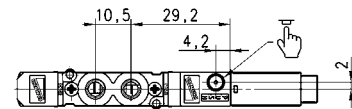
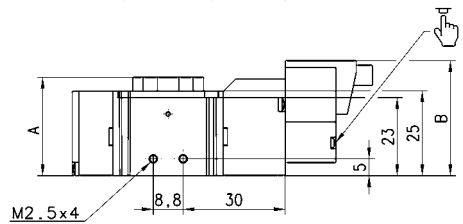
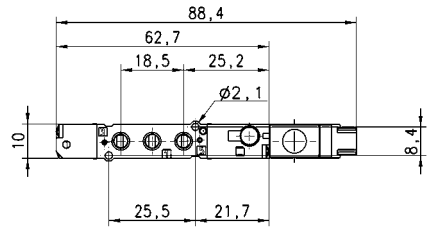


DIMENSIONS

| Mod. | B | C | Port 1 | Ports 3-5 | Ports 2-4 | min. pil P. bar | working P. bar | Flow rate NI/min | Symbol |
|----------|------|-----|--------|-----------|-----------|-----------------|----------------|------------------|--------|
| E651-33 | 42,7 | Ø 3 | G1/4 | G1/8 | G1/4 | 2 | -0,9 + 7 | 920 | U1 |
| E651-C33 | 46,7 | Ø 4 | G1/4 | G1/8 | G1/4 | 2 | -0,9 + 7 | 920 | U1 |
| E751-33 | 42,7 | Ø 3 | G1/4 | G1/8 | G1/4 | 2 | -0,9 + 7 | 920 | V1 |
| E751-C33 | 46,7 | Ø 4 | G1/4 | G1/8 | G1/4 | 2 | -0,9 + 7 | 920 | V1 |
| E851-33 | 42,7 | Ø 3 | G1/4 | G1/8 | G1/4 | 2 | -0,9 + 7 | 920 | Z1 |
| E851-C33 | 46,7 | Ø 4 | G1/4 | G1/8 | G1/4 | 2 | -0,9 + 7 | 920 | Z1 |

Electropneumatically actuated valve, monostable - size 10,5

5/2 way.



For solenoid valves with solenoid type K, use connector 121-800

DIMENSIONS

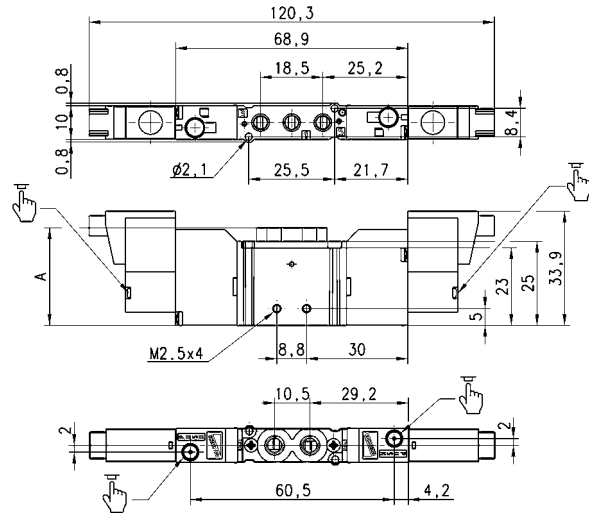
| Mod. | A | Ports 1-3-5 | Ports 2-4 | working P. bar | Flow rate NI/min |
|----------------|----|-------------|-----------|----------------|------------------|
| E521-16-10-K10 | 29 | M5 | M5 | 2 + 7 | 200 |

Electropneumatically actuated valve, bistable - size 10,5

5/2 way.



For solenoid valves with solenoid type K, use connector 121-800.



| Mod. | A | | | | Flow rate NI/min |
|-----------------------|----|----|----|-------|------------------|
| E521-11-10-K10 | 29 | M5 | M5 | 1 + 7 | 200 |

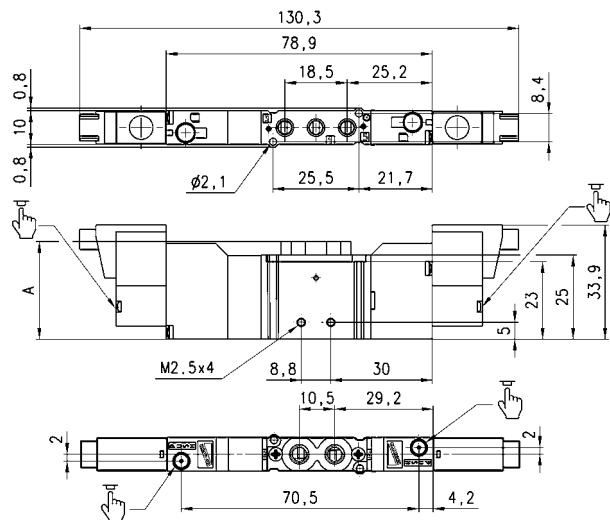
Electropneumatically actuated valve - size 10,5

5/3 ways.

- C.C. = Centres closed
- C.O. = Centres open
- C.P. = Pressure Centres



For solenoid valves with solenoid type K, use connector 121-800.



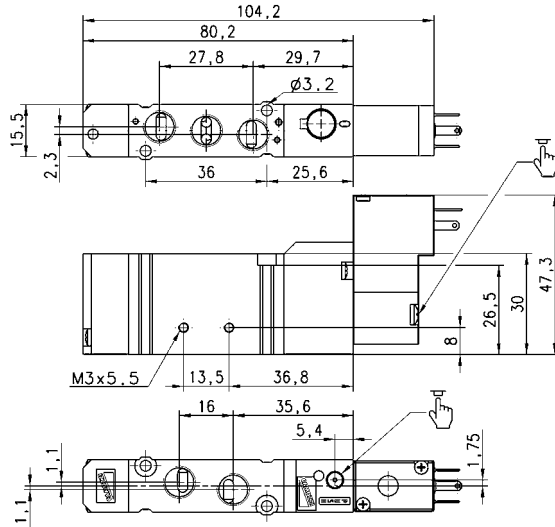
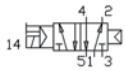
| Mod. | A | Ports 1-3-5 | Ports 2-4 | | Flow rate NI/min | Symbol |
|-----------------------|----|-------------|-----------|-------|------------------|--------|
| E621-11-10-K10 | 29 | M5 | M5 | 2 + 7 | 200 | B1 |
| E721-11-10-K10 | 29 | M5 | M5 | 2 + 7 | 200 | C1 |
| E821-11-10-k10 | 29 | M5 | M5 | 2 + 7 | 200 | D1 |

Electropneumatically actuated valve, monostable - size 16

5/2 way.



For solenoid valves with solenoid type P, use connector 125-800
For solenoid valves with solenoid type W, use connector 126-800



DIMENSIONS

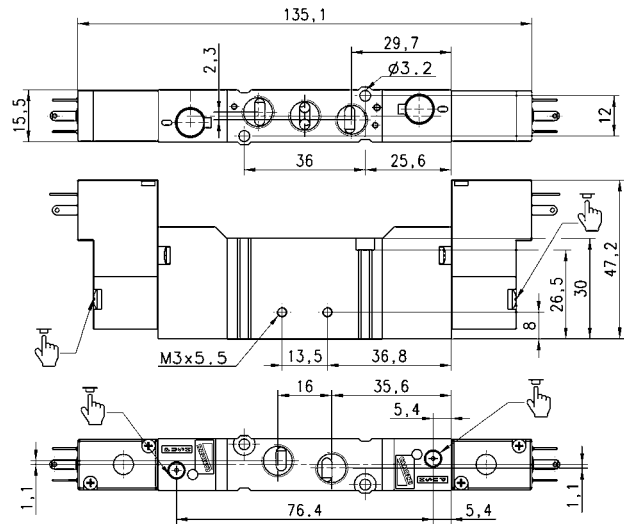
| Mod. | Ports 1-3-5 | Ports 2-4 | working P. bar | Flow rate NI/min |
|----------------|-------------|-----------|----------------|------------------|
| E531-16-15-P50 | G1/8 | G1/8 | 2,5 + 7 | 550 |

Electropneumatically actuated valve, bistable - size 16

5/2 way.



For solenoid valves with solenoid type P, use connector 125-800
For solenoid valves with solenoid type W, use connector 126-800



DIMENSIONS

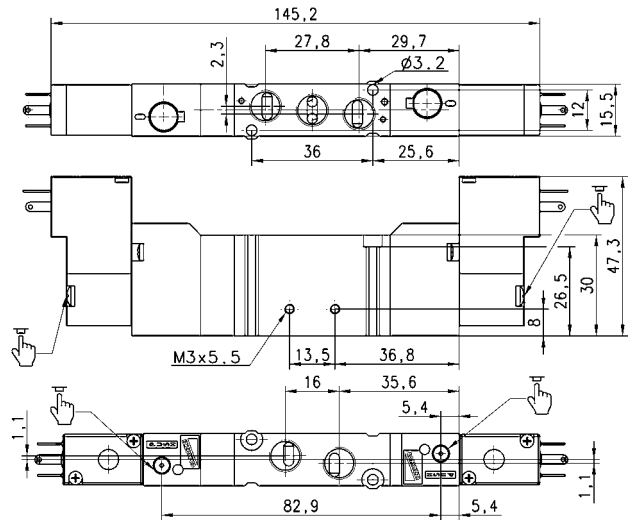
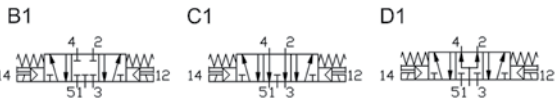
| Mod. | Ports 1-3-5 | Ports 2-4 | working P. bar | Flow rate NI/min |
|----------------|-------------|-----------|----------------|------------------|
| E531-11-15-P50 | G1/8 | G1/8 | 2 + 7 | 550 |

Electropneumatically actuated valve - size 16

5/3 way,
 C.C. = Centres closed
 C.O. = Centres open
 C.P. = Pressure centres



For solenoid valves with solenoid type P, use connector 125-800
 For solenoid valves with solenoid type W, use connector 126-800



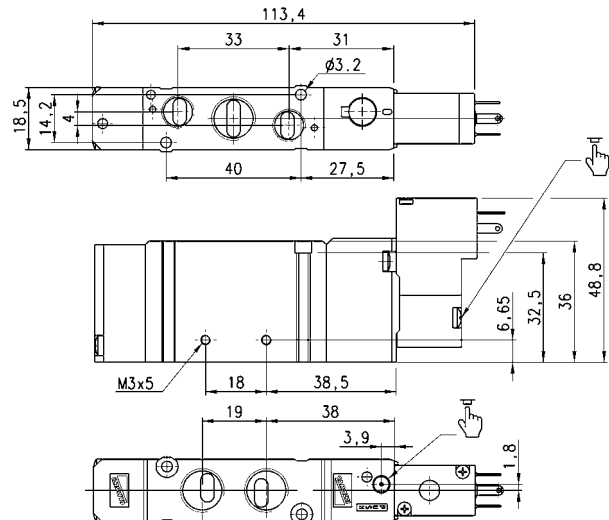
| DIMENSIONS | | | | | |
|----------------|-------------|-----------|----------------|------------------|--------|
| Mod. | Ports 1-3-5 | Ports 2-4 | working P. bar | Flow rate NI/min | Symbol |
| E631-11-15-P50 | G1/8 | G1/8 | 3 + 7 | 550 | B1 |
| E731-11-15-P50 | G1/8 | G1/8 | 3 + 7 | 550 | C1 |
| E831-11-15-P50 | G1/8 | G1/8 | 3 + 7 | 550 | D1 |

Electropneumatically actuated valve, monostable - size 19

5/2 way.



For solenoid valves with solenoid type P, use connector 125-800
 For solenoid valves with solenoid type W, use connector 126-800



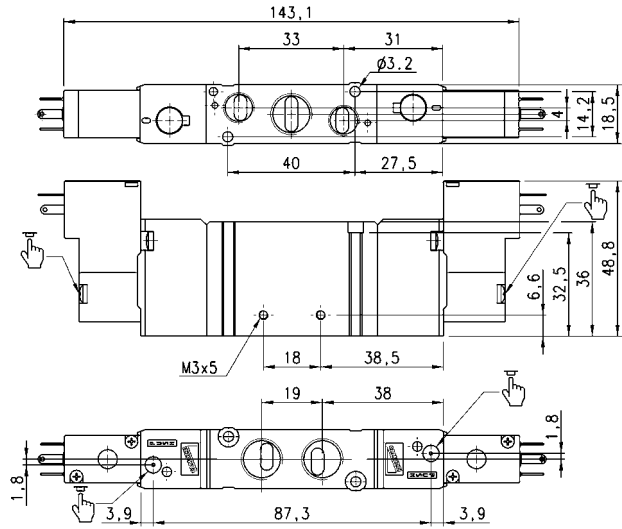
| DIMENSIONS | | | | | |
|----------------|--------|-----------|-----------|----------------|------------------|
| Mod. | Port 1 | Ports 3-5 | Ports 2-4 | working P. bar | Flow rate NI/min |
| E551-16-15-P50 | G1/4 | G1/8 | G1/4 | 2 + 7 | 920 |

Electropneumatically actuated valve, bistable - size 19

5/2 way.



For solenoid valves with solenoid type P, use connector 125-800.
For solenoid valves with solenoid type W, use connector 126-800.



| Mod. | Port 1 | Ports 3-5 | Ports 2-4 | working P. bar | Flow rate NI/min |
|----------------|--------|-----------|-----------|----------------|------------------|
| E551-11-15-P50 | G 1/4 | G 1/8 | G 1/4 | 1 + 7 | 920 |

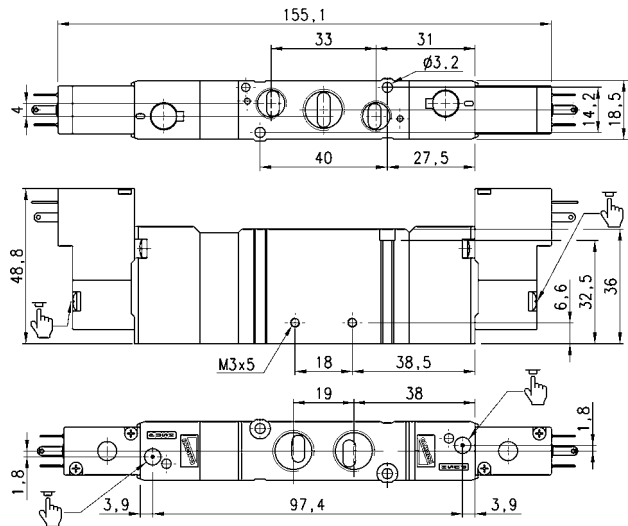
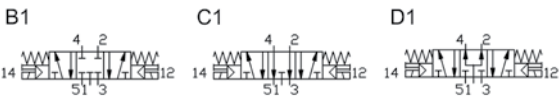
Electropneumatically actuated valve - size 19

5/3 way

- C.C. = Centres closed
- C.A. = Centres open
- C.P. = Pressure centres



For solenoid valves with solenoid type P, use connector 125-800.
For solenoid valves with solenoid type W, use connector 126-800.



| Mod. | Port 1 | Ports 3-5 | Ports 2-4 | working P. bar | Flow rate NI/min | Symbol |
|----------------|--------|-----------|-----------|----------------|------------------|--------|
| E651-11-15-P50 | G 1/4 | G 1/8 | G 1/4 | 2 + 7 | 920 | B1 |
| E751-11-15-P50 | G 1/4 | G 1/8 | G 1/4 | 2 + 7 | 920 | C1 |
| E851-11-15-P50 | G 1/4 | G 1/8 | G 1/4 | 2 + 7 | 920 | D1 |

CODING EXAMPLE

| | | | | | | | | | | | |
|---|---|---|---|---|----|---|----|---|---|---|---|
| E | 5 | 3 | 0 | - | 11 | - | 15 | - | P | 5 | 3 |
|---|---|---|---|---|----|---|----|---|---|---|---|

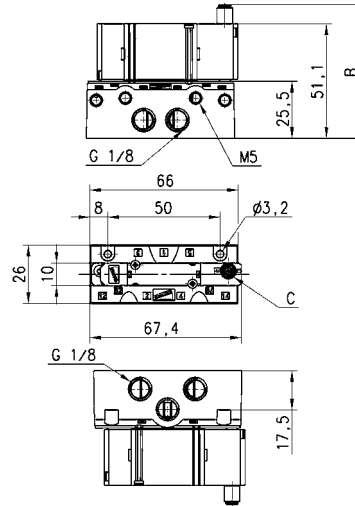
| | |
|-----------|--|
| E | SERIES: |
| 5 | FUNCTION: 2= 5/2 (5 ports/2 posit.) supply from the exhausts 5 = 5/2 (5 ports/2 posit.) 6= 5/3 centres closed 7= 5/3 centres open 8= 5/3 pressure centres |
| 3 | SIZE: 2 = size 10.5 3 = size 16 5 = size 19 |
| 0 | BODY TYPE: 0 = body for sub-base |
| 11 | ACTUATION: 11 = electropneumatic bistable 16 = electropneumatic monostable 33 = pneumatic bistable - tube Ø 3 36 = pneumatic monostable - tube Ø 3 C33 = pneumatic bistable - tube Ø 4 C36 = pneumatic monostable - tube Ø 4 311 = electro-pneumatic bistable on subbase or manifold 316 = electro-pneumatic monostable on subbase or manifold 333 = pneumatic bistable on sub-base or manifold 336 = pneumatic monostable on sub-base or manifold |
| 15 | INTERFACE: 10 15 |
| P | TYPE OF SOLENOID: K - P - W |
| 5 | SOLENOID DIMENSIONS: 1 = 10x10 5 = 15x15 |
| 3 | SOLENOID VOLTAGE: 1 = 6V DC (size 10,5) 2 = 12V DC (size 10,5) 3 = 24V DC (also size 10,5) 4 = 48V DC (16-19) 6 = 110V DC (16-19) L = 12V 50/60 Hz (16-19) B = 24V 50/60Hz (16-19) C = 48V 50/60 Hz (16-19) D = 110V 50/60Hz (16-19) |

Pneumatically actuated valve, monostable - size 10.5

5/2 way.



This valve can be mounted. The single sub-base is available on request. The pilot pressure should never be lower than the operating pressure.



DIMENSIONS

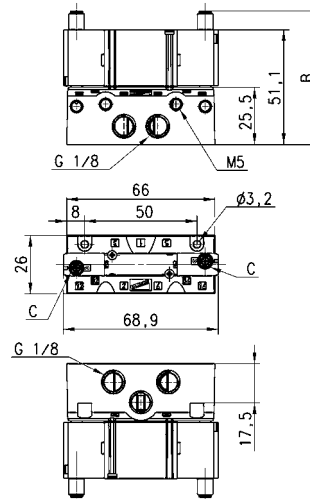
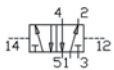
| Mod. | B | C | min. pil P. bar | working P. bar | Flow rate NI/min |
|-----------------|------|----|-----------------|----------------|------------------|
| E520-36 | 59,5 | Ø3 | 2,5 | 2,5 + 7 | 280 |
| E520-C36 | 65,2 | Ø4 | 2,5 | 2,5 + 7 | 280 |

Pneumatically actuated valve, bistable - size 10.5

5/2 way.



The single base is ordered separately from the valve.



DIMENSIONS

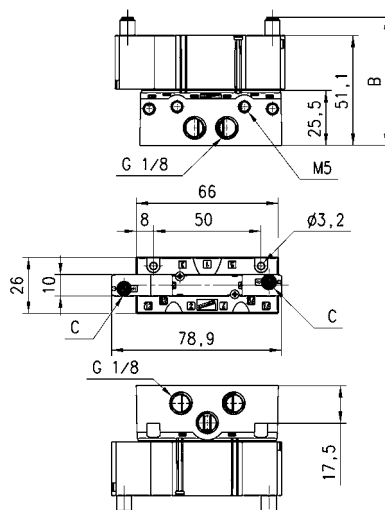
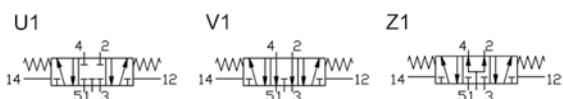
| Mod. | B | C | min. pil P. bar | working P. bar | Flow rate NI/min |
|-----------------|------|----|-----------------|----------------|------------------|
| E520-33 | 59,5 | Ø3 | 1 | -0,9 + 7 | 280 |
| E520-C33 | 65,2 | Ø4 | 1 | -0,9 + 7 | 280 |

Pneumatically actuated valve - size 10.5

5/2 way,
 C.C. = Centres closed
 C.O. = Centres open
 C.P. = Pressure centres



The single base is ordered separately from the valve.



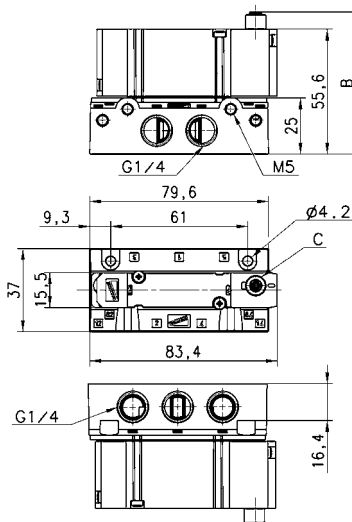
| DIMENSIONS | | | | | | |
|------------|------|----|-----------------|----------------|------------------|--------|
| Mod. | B | C | min. pil P. bar | working P. bar | Flow rate NI/min | Symbol |
| E620-33 | 59,5 | Ø3 | 2 | -0,9 + 7 | 280 | U1 |
| E620-C33 | 65,5 | Ø4 | 2 | -0,9 + 7 | 280 | U1 |
| E720-33 | 59,5 | Ø3 | 2 | -0,9 + 7 | 280 | V1 |
| E720-C33 | 65,5 | Ø4 | 2 | -0,9 + 7 | 280 | V1 |
| E820-33 | 59,5 | Ø3 | 2 | -0,9 + 7 | 280 | Z1 |
| E820-C33 | 65,5 | Ø4 | 2 | -0,9 + 7 | 280 | Z1 |

Pneumatically actuated valve, monostable - size 16

5/2 way.



The single base is ordered separately from the valve. The pilot pressure should never be lower than the operating pressure.



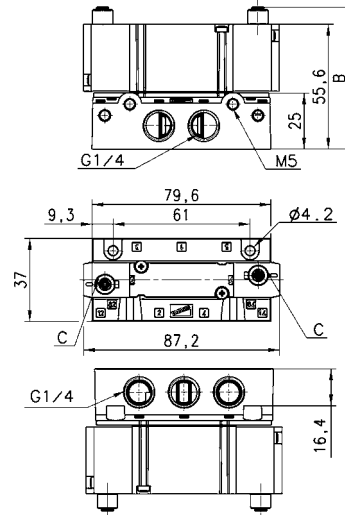
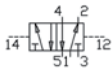
| DIMENSIONS | | | | | |
|------------|------|----|-----------------|----------------|------------------|
| Mod. | B | C | min. pil P. bar | working P. bar | Flow rate NI/min |
| E530-36 | 63,3 | Ø3 | 2,5 | 2,5 + 7 | 610 |
| E530-C36 | 67,3 | Ø4 | 2,5 | 2,5 + 7 | 610 |
| E530-336 | 55,6 | - | 2,5 | 2,5 + 7 | 610 |

Pneumatically actuated valve, bistable - size 16

5/2 way.



The single base is ordered separately from the valve.



DIMENSIONS

| Mod. | B | C | min. pil P. bar | working P. bar | Flow rate NI/min |
|----------|------|----|-----------------|----------------|------------------|
| E530-33 | 63,3 | Ø3 | 2 | -0,9 + 7 | 610 |
| E530-C33 | 67,3 | Ø4 | 2 | -0,9 + 7 | 610 |
| E530-333 | 55,6 | - | 2 | -0,9 + 7 | 610 |

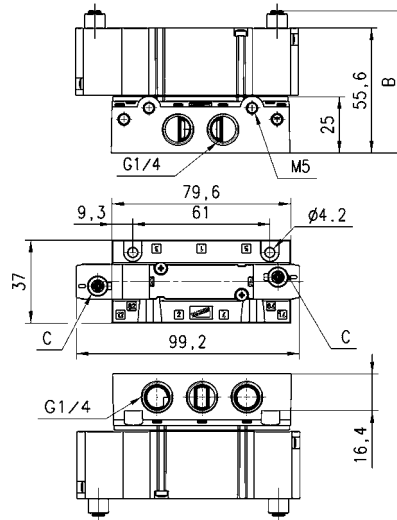
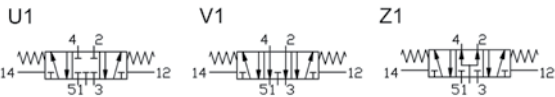
Pneumatically actuated valve - size 16

5/2 way,

- C.C. = Centres closed
- C.A. = Centres open
- C.P. = Pressure centres



The single base is ordered separately from the valve.



DIMENSIONS

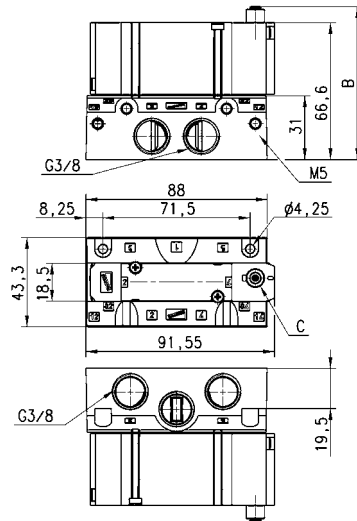
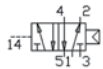
| Mod. | B | C | min. pil P. bar | working P. bar | Flow rate NI/min | Symbol |
|----------|------|----|-----------------|----------------|------------------|--------|
| E630-33 | 63,3 | Ø3 | 3 | -0,9 + 7 | 610 | U1 |
| E630-C33 | 67,3 | Ø4 | 3 | -0,9 + 7 | 610 | U1 |
| E630-333 | 55,6 | - | 3 | -0,9 + 7 | 610 | U1 |
| E730-33 | 63,3 | Ø3 | 3 | -0,9 + 7 | 610 | V1 |
| E730-C33 | 67,3 | Ø4 | 3 | -0,9 + 7 | 610 | V1 |
| E730-333 | 55,6 | - | 3 | -0,9 + 7 | 610 | V1 |
| E830-33 | 63,3 | Ø3 | 3 | -0,9 + 7 | 610 | Z1 |
| E830-C33 | 67,3 | Ø4 | 3 | -0,9 + 7 | 610 | Z1 |
| E830-333 | 55,6 | - | 3 | -0,9 + 7 | 610 | Z1 |

Pneumatically actuated valve, monostable - size 19

5/2 way.



The single base is ordered separately from the valve.



DIMENSIONS

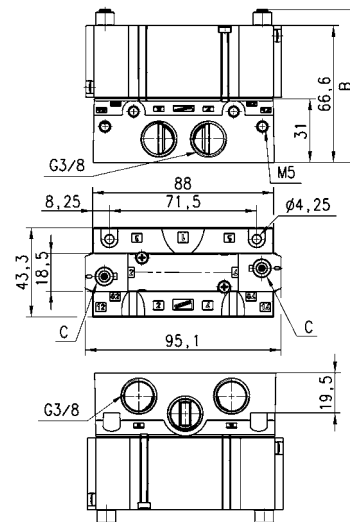
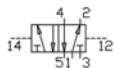
| Mod. | B | C | min. pil P. bar | working P. bar | Flow rate NI/min |
|----------|------|----|-----------------|----------------|------------------|
| E550-36 | 74,3 | Ø3 | 2 | 2 ÷ 7 | 1000 |
| E550-C36 | 78,3 | Ø4 | 2 | 2 ÷ 7 | 1000 |
| E550-336 | 66,6 | - | 2 | 2 ÷ 7 | 1000 |

Pneumatically actuated valve, bistable - size 19

5/2 way.



The single base is ordered separately from the valve.



DIMENSIONS

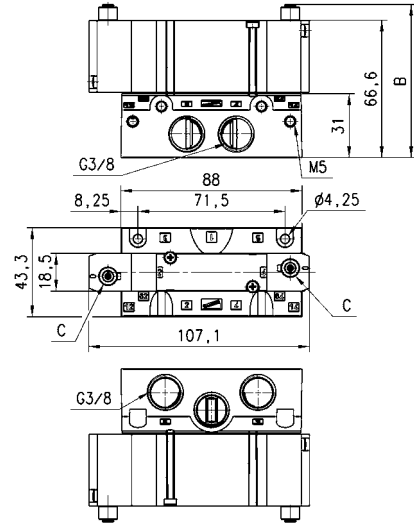
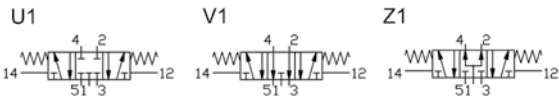
| Mod. | B | C | min. pil P. bar | working P. bar | Flow rate NI/min |
|----------|------|----|-----------------|----------------|------------------|
| E550-33 | 74,3 | Ø3 | 1 | -0,9 ÷ 7 | 1000 |
| E550-C33 | 78,3 | Ø4 | 1 | -0,9 ÷ 7 | 1000 |
| E550-333 | 66,6 | - | 1 | -0,9 ÷ 7 | 1000 |

Pneumatically actuated valve - size 19

5/3 way,
 C.C. = Centres closed
 C.O. = Centres open
 C.P. = Pressure centres



The single base is ordered separately from the valve.



DIMENSIONS

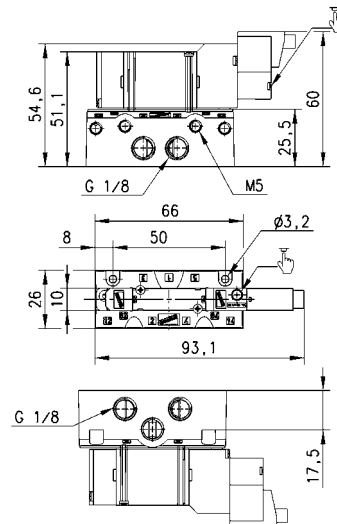
| Mod. | B | C | min. pil P. bar | working P. bar | Flow rate NI/min | Symbol |
|----------|------|----|-----------------|----------------|------------------|--------|
| E650-33 | 74,3 | Ø3 | 2 | -0,9 + 7 | 1000 | U1 |
| E650-C33 | 78,3 | Ø3 | 2 | -0,9 + 7 | 1000 | U1 |
| E650-333 | 66,6 | - | 2 | -0,9 + 7 | 1000 | U1 |
| E750-33 | 74,3 | Ø3 | 2 | -0,9 + 7 | 1000 | V1 |
| E750-C33 | 78,3 | Ø3 | 2 | -0,9 + 7 | 1000 | V1 |
| E750-333 | 66,6 | - | 2 | -0,9 + 7 | 1000 | V1 |
| E850-33 | 74,3 | Ø3 | 2 | -0,9 + 7 | 1000 | Z1 |
| E850-C33 | 78,3 | Ø3 | 2 | -0,9 + 7 | 1000 | Z1 |
| E850-333 | 66,6 | - | 2 | -0,9 + 7 | 1000 | Z1 |

Electropneumatically actuated valve, monostable - size 10.5

5/2 way



The single base is ordered separately from the valve.
 In case of separate pilot supply, the pilot pressure should never be lower than the operating pressure.



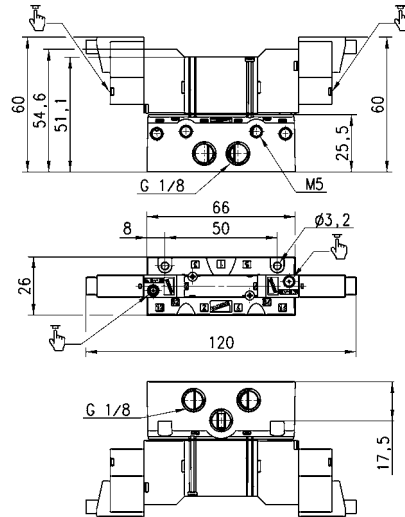
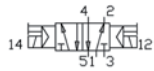
| Mod. | working P. bar | Flow rate NI/min |
|----------------|----------------|------------------|
| E520-16-10-K10 | 2 + 7 | 280 |

Electropneumatically actuated valve, bistable - size 10.5

5/2 way.



The single base is ordered separately from the valve.



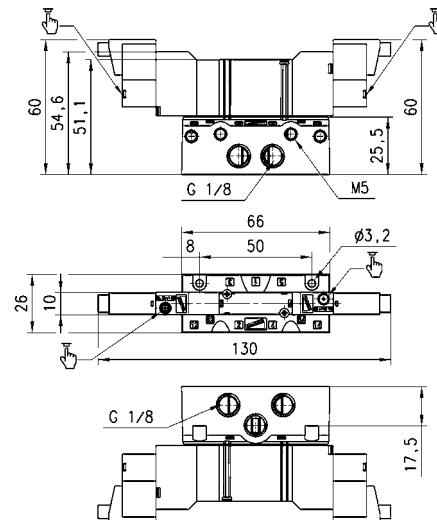
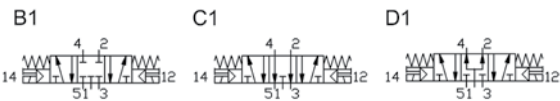
| Mod. | working P. bar | Flow rate NI/min |
|----------------|----------------|------------------|
| E520-11-10-K10 | 2 ÷ 7 | 280 |

Electropneumatically actuated valve - size 10.5

5/3 way,
C.C. = Centres closed
C.O. = Centres open
C.P. = Pressure centres



The single base is ordered separately from the valve



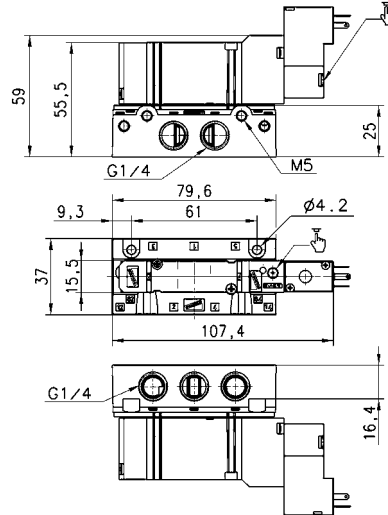
| Mod. | working P. bar | Flow rate NI/min | Symbol |
|----------------|----------------|------------------|--------|
| E620-11-10-K10 | 2 ÷ 7 | 280 | B1 |
| E720-11-10-K10 | 2 ÷ 7 | 280 | C1 |
| E820-11-10-K10 | 2 ÷ 7 | 280 | D1 |

Electropneumatically actuated valve, monostable - size 16

5/2 way.



The single base is ordered separately from the valve .
In case of separate pilot supply, the pilot pressure should never be lower than the operating pressure.



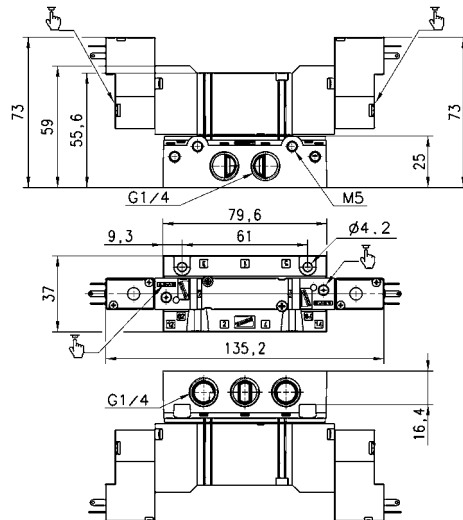
| Mod. | working P. bar | Flow rate NI/min |
|-----------------|----------------|------------------|
| E530-16-15-P50 | 2,5 ÷ 7 | 610 |
| E530-316-15-P50 | 2,5 ÷ 7 | 610 |

Electropneumatically actuated valve, bistable - size 16

5/2 way.



The single base is ordered separately from the valve.



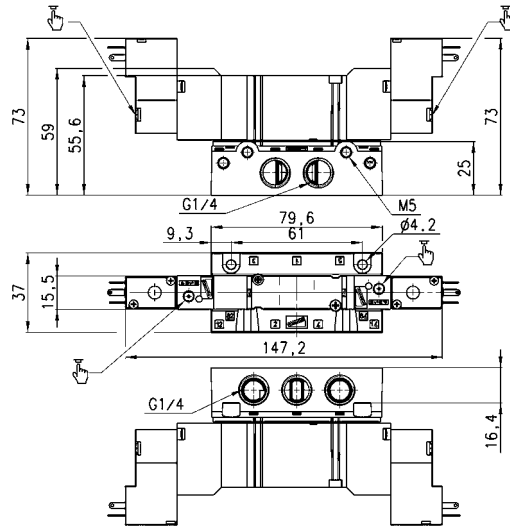
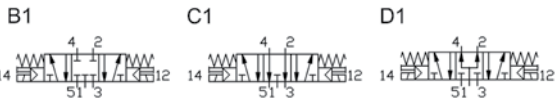
| Mod. | working P. bar | Flow rate NI/min |
|-----------------|----------------|------------------|
| E530-11-15-P50 | 2 ÷ 7 | 610 |
| E530-311-15-P50 | 2 ÷ 7 | 610 |

Electropneumatically actuated valve - size 16

5/3 way,
 C.C. = Centres closed
 C.O. = Centres open
 C.P. = Pressure centres



The single base is ordered separately from the valve.



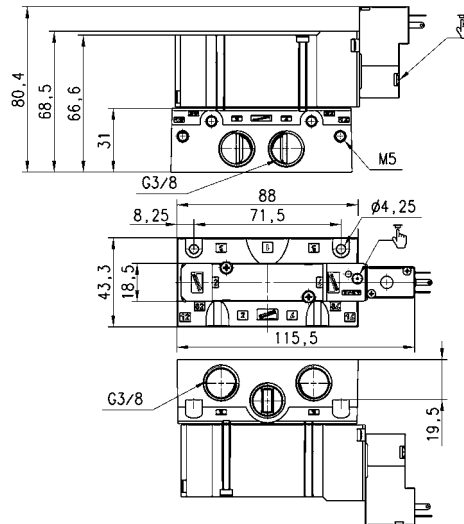
| Mod. | working P. bar | Flow rate NI/min | Symbol |
|-----------------|----------------|------------------|--------|
| E630-11-15-P50 | 3 + 7 | 610 | B1 |
| E630-311-15-P50 | 3 + 7 | 610 | B1 |
| E730-11-15-P50 | 3 + 7 | 610 | C1 |
| E730-311-15-P50 | 3 + 7 | 610 | C1 |
| E830-11-15-P50 | 3 + 7 | 610 | D1 |
| E830-311-15-P50 | 3 + 7 | 610 | D1 |

Electropneumatically actuated valve, monostable - size 19

5/2 way.



The single base is ordered separately from the valve.
 In case of separate pilot supply, the pilot pressure should never be lower than the operating pressure.



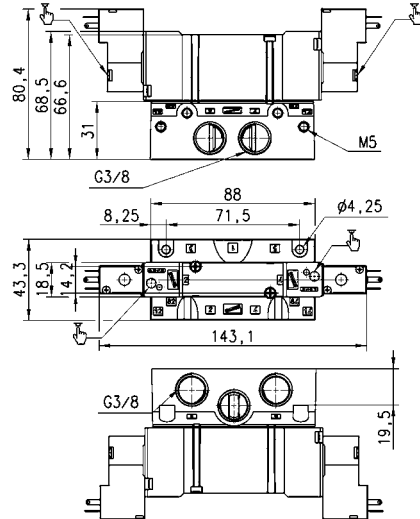
| Mod. | working P. bar | Flow rate NI/min |
|-----------------|----------------|------------------|
| E550-16-15-P50 | 2 + 7 | 1000 |
| E550-316-15-P50 | 2 + 7 | 1000 |

Electropneumatically actuated valve, bistable - size 19

5/2 way.



The single base is ordered separately from the valve.



| Mod. | working P. bar | Flow rate NI/min |
|-----------------|----------------|------------------|
| E550-11-15-P50 | 1 + 7 | 1000 |
| E550-311-15-P50 | 1 + 7 | 1000 |

Electropneumatically actuated valve - size 19

5/3 way,

- C.C. = Centres closed
- C.O. = Centres open
- C.P. = Pressure centres

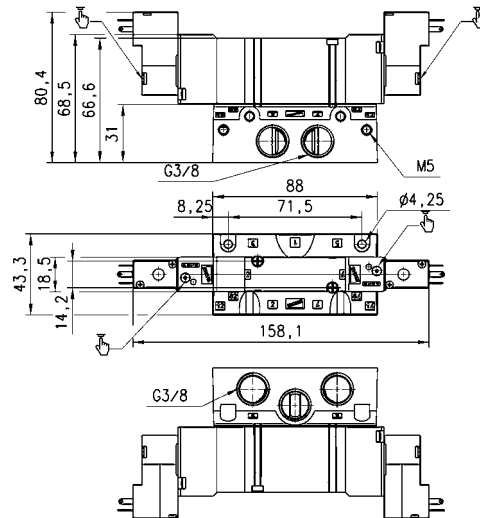


The single base is ordered separately from the valve.

B1

C1

D1



| Mod. | working P. bar | Flow rate NI/min | Symbol |
|-----------------|----------------|------------------|--------|
| E650-11-15-P50 | 2 + 7 | 1000 | B1 |
| E650-311-15-P50 | 2 + 7 | 1000 | B1 |
| E750-11-15-P50 | 2 + 7 | 1000 | C1 |
| E750-311-15-P50 | 2 + 7 | 1000 | C1 |
| E850-11-15-P50 | 2 + 7 | 1000 | D1 |
| E850-311-15-P50 | 2 + 7 | 1000 | D1 |

Torque for securing screws on manifolds and single sub-base

| Mod. | Size (mm) | Torque (Nm) |
|--------|-----------|-------------|
| E52... | 10,5 | 0,3 ± 0,35 |
| E53... | 16 | 0,7 ± 0,8 |
| E55... | 19 | 0,7 ± 0,8 |

CODING EXAMPLE

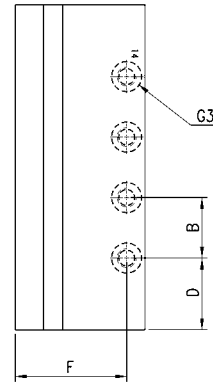
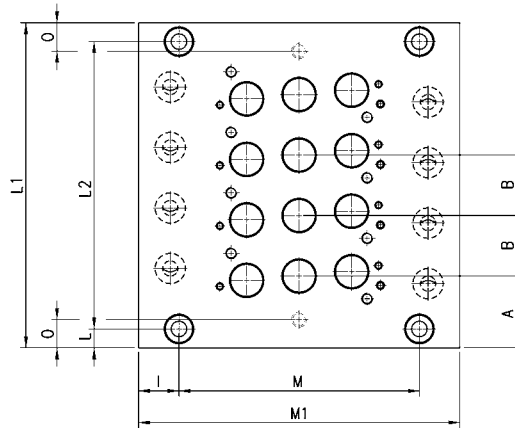
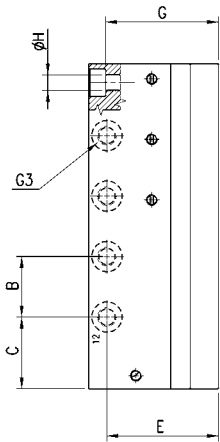
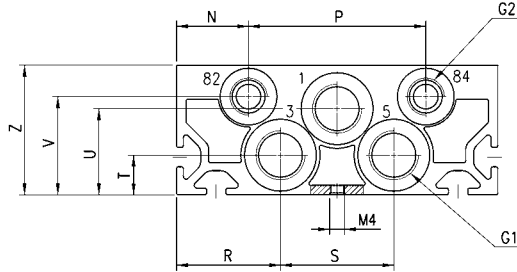
| | | | | | | |
|----|---|---|---|---|---|----|
| E5 | 3 | 1 | - | 1 | 0 | 02 |
|----|---|---|---|---|---|----|

| | |
|-----------|---|
| E5 | SERIES |
| 3 | SIZE: 2 = size 10,5 3 = size 16 5 = size 19 |
| 1 | BODY TYPE: 0 = body for sub-base assembly 1 = body with threads or tube port |
| 1 | TYPE OF SUB-BASE: 0 = single sub-base with side outlets 1 = manifold for threaded valve 2 = manifold for body mounted valve 3 = manifold for threaded valve with externally supplied pilots 4 = manifold for valve on sub-base with externally supplied pilots |
| 0 | PORTS: 0 = for valves with outlets on the body 1 = threaded C = tube 4 (size 10,5) E = tube 6 (size 16) G = tube 8 (size 16) K = tube 10 (size 19) |
| 02 | N° OF POSITIONS: 01 = single 03, 04, 06, 08, 10, 12 = multiple |

NOTE: When constructing manifolds with 10 or more stations it is recommended, in order to reduce the risk of pressure drop within the assembly, that pressure is supplied to port 1 at each end of the block. The exhaust ports 3 and 5 at each end should also be utilized (size 10,5 and 16 mm). The same provision should be made for 5 station manifolds of the 19 mm valves. Manifolds complete with ports for external pilot supply are available on request.

Manifolds for valves with outlets on the body Size 10,5 - 16 - 19

The manifolds have been manufactured with common inlet and exhausts 3 and 5 (see size G1). There are also common exhausts for pilots 82 and 84 (Size G2). Manifolds with G3 ports are also supplied (on request) for external pilot supply.



Note: the manifolds are supplied complete with the seals and the valves, fixing screws.

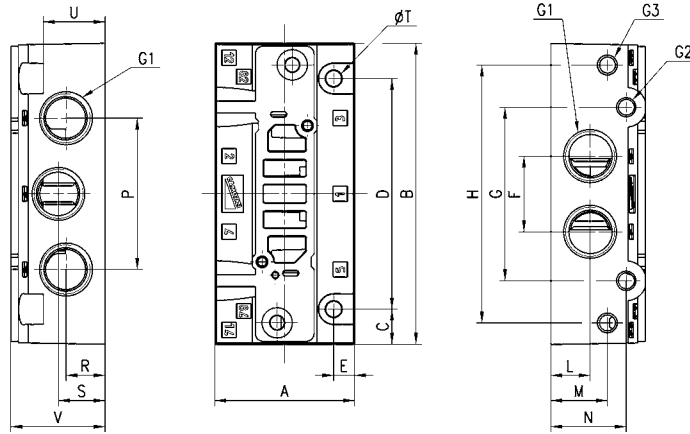
| DIMENSIONS | | | | | | | | | | | | | |
|------------|------|-------------|------|------|------|-------|-------|-------|-------|-------|-------|-------|-------|
| Mod. | Size | N° Position | 02 | 03 | 04 | 05 | 06 | 07 | 08 | 09 | 10 | 11 | 12 |
| E521-10.. | 10,5 | L1 | 40,5 | 51 | 61,5 | 72 | 82,5 | 93 | 103,5 | 114 | 124,5 | 135 | 145,5 |
| E521-10.. | 10,5 | L2 | 44 | 41 | 51,5 | 62 | 72,5 | 83 | 93,5 | 104 | 114,5 | 125 | 135,5 |
| E531-10.. | 16 | L1 | 61,5 | 70 | 86 | 102 | 118 | 134 | 150 | 166 | 182 | 198 | 214 |
| E531-10.. | 16 | L2 | 30,5 | 60 | 76 | 92 | 108 | 124 | 140 | 156 | 172 | 188 | 204 |
| E551-10.. | 19 | L1 | 54 | 80,5 | 99,5 | 118,5 | 137,5 | 156,5 | 175,5 | 194,5 | 213,5 | 232,5 | 251,5 |
| E551-10.. | 19 | L2 | 49,5 | 68,5 | 87,5 | 106,5 | 125,5 | 144,5 | 163,5 | 182,5 | 201,5 | 220,5 | 239,5 |

| DIMENSIONS | | | | | | | | | | | | | | | | | | | | | | | | | |
|------------|------|------|------|----|------|------|------|------|------|------|------|-----|------|---|------|------|------|-----|------|------|----|------|------|------|------|
| Mod. | Size | G1 | G2 | G3 | A | B | C | D | E | F | G | H | I | L | M | M1 | N | O | P | R | S | T | U | V | Z |
| E521-10 | 10,5 | G1/8 | M5 | M5 | 15 | 10,5 | 13,4 | 16,5 | 22 | 22 | 22,5 | 4,2 | 10,5 | 5 | 47,3 | 68,3 | 18,6 | 7,5 | 31 | 22,6 | 23 | 8,5 | 19 | 20 | 27 |
| E531-10 | 16 | G1/4 | G1/8 | M5 | 19 | 16 | 19 | 19 | 29,4 | 29,4 | 29,8 | 4,2 | 10,7 | 5 | 63,6 | 85 | 19 | 7,5 | 46,9 | 27,5 | 30 | 10,5 | 22,8 | 26 | 34,3 |
| E551-10 | 19 | G3/8 | G1/8 | M5 | 21,2 | 19 | 19,2 | 23,2 | 34,4 | 34,4 | 34,5 | 4,2 | 10,5 | 6 | 69 | 90 | 19 | 7,5 | 52 | 26 | 38 | 12 | 26 | 30,5 | 39 |

Single sub-base for base mounted valves - size 10.5, 16, 19



Note: The valve and its single sub-base are available on request.



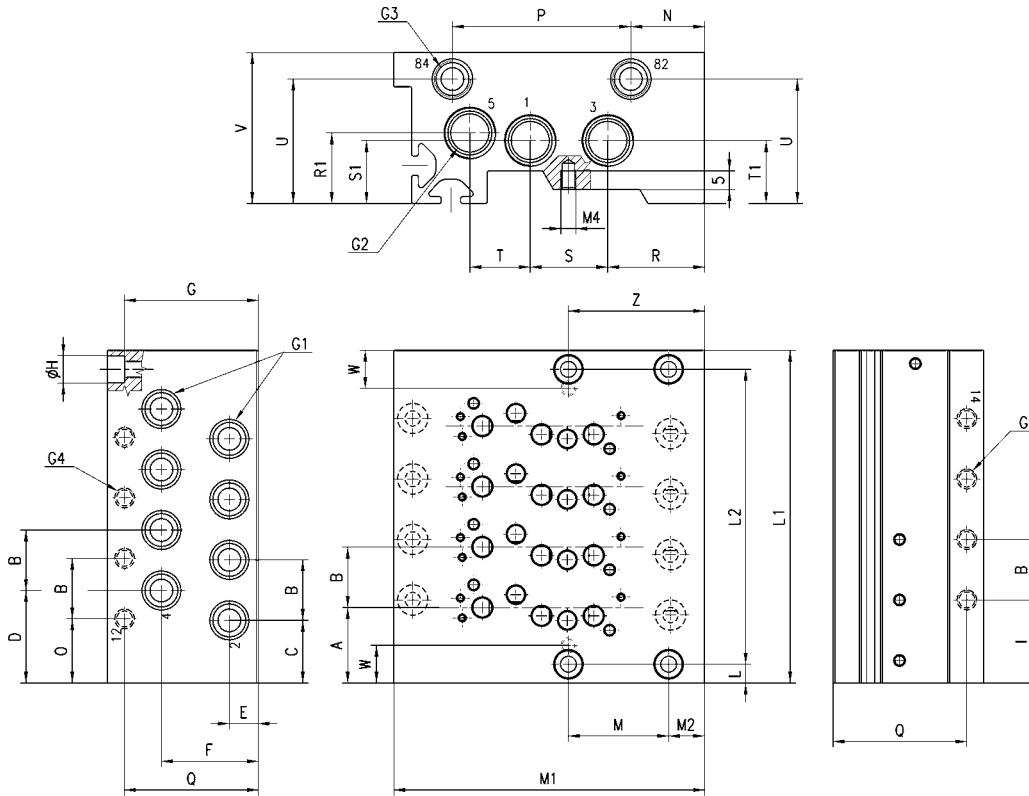
DIMENSIONS

| Mod. | Size | G1 | G2 | G3 | A | B | C | D | E | F | G | H | L | M | N | P | R | S | T | U | V |
|------------------|------|-------|----|----|------|------|-----|------|----|----|------|------|------|------|------|------|------|------|----|------|------|
| E520-0101 | 10,5 | G 1/8 | M5 | M5 | 26 | 66 | 8 | 50 | 4 | 15 | 37,3 | 57,3 | 8,2 | 17 | 18 | 24,5 | 8,2 | 17,2 | 32 | 17,5 | 25,5 |
| E530-0101 | 16 | G 1/4 | M5 | M5 | 37 | 79,6 | 9,3 | 61 | 55 | 20 | 45,9 | 68,2 | 10,5 | 15 | 20 | 40 | 10,5 | 10,5 | 42 | 16,4 | 25 |
| E550-0101 | 19 | G 3/8 | M5 | M5 | 43,3 | 88 | 8,2 | 71,5 | 55 | 24 | 48,6 | 76,5 | 11,5 | 17,5 | 24,8 | 45 | 11,5 | 20 | 42 | 19,5 | 31 |

Manifolds for base mounted valves size 10.5 - 16

The manifolds have been manufactured with common inlet 1 and exhaust 3 and 5 (see size G2). There are also common exhausts for pilots 82 and 84 (size G3). Manifolds with G4 ports are also supplied for external pilot supply, on request.

Outlets G1 are available both in the threaded version and with push in tube connections.



DIMENSIONS

| Mod. | Size | N° Position | 02 | 03 | 04 | 05 | 06 | 07 | 08 | 09 | 10 | 11 | 12 |
|-----------|------|-------------|----|------|----|------|-----|------|-----|-------|-----|-------|-----|
| E520-21.. | 10,5 | L1 | 44 | 54,5 | 65 | 75,5 | 86 | 96,5 | 107 | 117,5 | 128 | 138,5 | 149 |
| E520-21.. | 10,5 | L2 | 34 | 44,5 | 55 | 65,5 | 76 | 86,5 | 97 | 107,5 | 118 | 128,5 | 139 |
| E520-2C.. | 10,5 | L1 | 44 | 54,5 | 65 | 75,5 | 86 | 96,5 | 107 | 117,5 | 128 | 138,5 | 149 |
| E520-2C.. | 10,5 | L2 | 34 | 44,5 | 55 | 65,5 | 76 | 86,5 | 97 | 107,5 | 118 | 128,5 | 139 |
| E530-21.. | 16 | L1 | 56 | 72 | 88 | 104 | 120 | 136 | 152 | 168 | 184 | 200 | 216 |
| E530-21.. | 16 | L2 | 46 | 62 | 78 | 94 | 110 | 126 | 142 | 158 | 174 | 190 | 206 |
| E530-2E.. | 16 | L1 | 56 | 72 | 88 | 104 | 120 | 136 | 152 | 168 | 184 | 200 | 216 |
| E530-2E.. | 16 | L2 | 46 | 62 | 78 | 94 | 110 | 126 | 142 | 158 | 174 | 190 | 206 |
| E530-2G.. | 16 | L1 | 56 | 72 | 88 | 104 | 120 | 136 | 152 | 168 | 184 | 200 | 216 |
| E530-2G.. | 16 | L2 | 46 | 62 | 78 | 94 | 110 | 126 | 142 | 158 | 174 | 190 | 206 |

DIMENSIONS

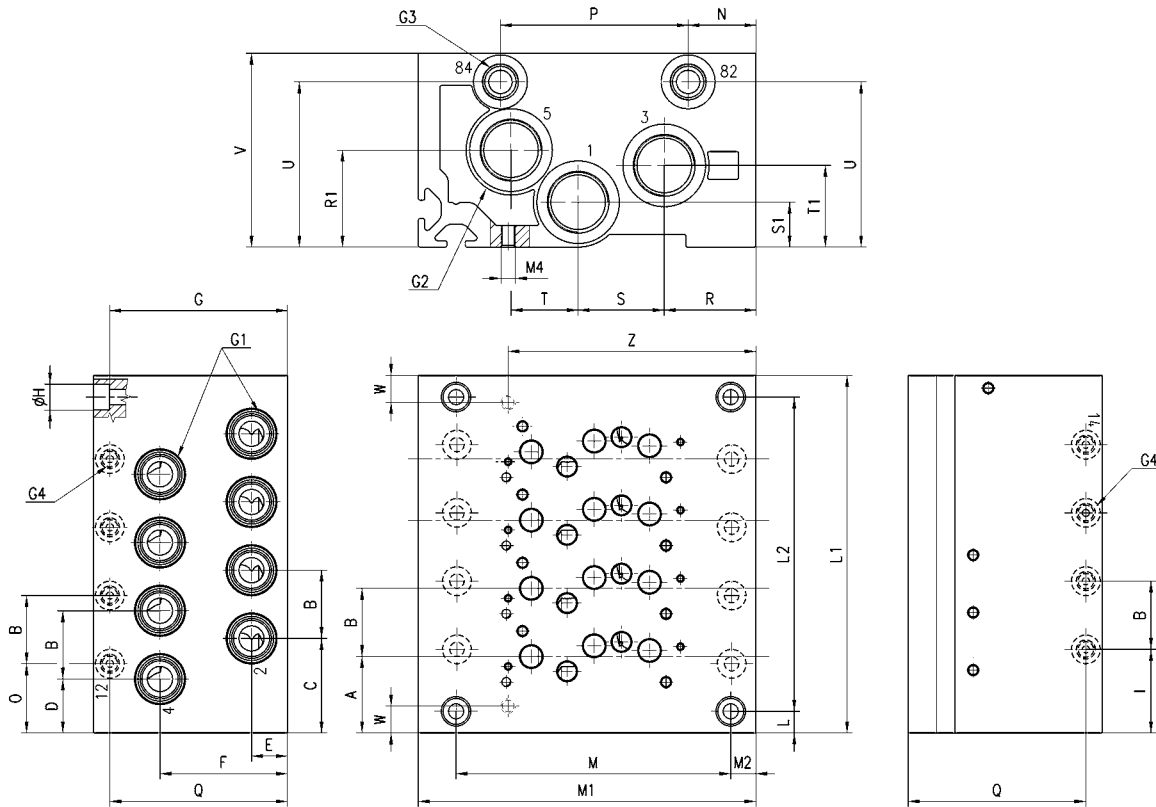
| Mod. | Size | G1 | G2 | G3 | G4 | A | B | C | D | E | F | G | H | I | L | M | M1 | M2 | N | O | P | Q | R | R1 | S | S1 | T | T1 | U | V | W | Z |
|---------|------|------|------|------|----|------|------|------|------|-----|------|------|----|------|---|------|------|------|------|------|------|------|------|------|----|------|------|------|------|------|-----|------|
| E520-21 | 10,5 | M5 | G1/8 | M5 | M5 | 16,7 | 10,5 | 18,8 | 13,6 | 6,1 | 19,6 | 29,5 | 42 | 18,3 | 5 | - | 67,3 | 11,3 | 18,3 | 15,2 | 30,7 | 29,5 | 22,6 | 14,5 | 9 | 27 | 11 | 12,7 | 25,5 | 34 | 7,5 | 34,5 |
| E520-2C | 10,5 | 4/2 | G1/8 | M5 | M5 | 16,7 | 10,5 | 18,8 | 13,6 | 6,1 | 19,6 | 29,5 | 42 | 18,3 | 5 | - | 67,3 | 11,3 | 18,3 | 15,2 | 30,7 | 29,2 | 22,6 | 14,5 | 9 | 27 | 11 | 12,7 | 25,5 | 34 | 7,5 | 34,5 |
| E530-21 | 16 | G1/8 | G1/4 | G1/8 | M5 | 20 | 16 | 16,6 | 24,5 | 7,6 | 25,6 | 35,4 | 42 | 22 | 5 | 26,5 | 82,2 | 9,5 | 19,5 | 17 | 47,2 | 35,4 | 25,6 | 18,6 | 16 | 16,6 | 20,5 | 16,6 | 32,9 | 39,9 | 10 | 36 |
| E530-2E | 16 | 6/4 | G1/4 | G1/8 | M5 | 20 | 16 | 16,6 | 24,5 | 7,6 | 25,6 | 35,4 | 42 | 22 | 5 | 26,5 | 82,2 | 9,5 | 19,5 | 17 | 47,2 | 35,4 | 25,6 | 18,6 | 16 | 16,6 | 20,5 | 16,6 | 32,9 | 39,9 | 10 | 36 |
| E530-2G | 16 | 8/6 | G1/4 | G1/8 | M5 | 20 | 16 | 16,6 | 24,5 | 7,6 | 25,6 | 35,4 | 42 | 22 | 5 | 26,5 | 82,2 | 9,5 | 19,5 | 17 | 47,2 | 35,4 | 25,6 | 18,6 | 16 | 16,6 | 20,5 | 16,6 | 32,9 | 39,9 | 10 | 36 |

Manifolds for base mounted valves - size 19



The manifolds have been manufactured with common inlet 1 and exhaust 3 and 5 (see size G2). There are also common exhausts for pilots 82 and 84 (size G3). Manifolds with G4 ports are also supplied for external pilot supply, on request.

Outlets G1 are available both in the threaded version and with push in tube connections.



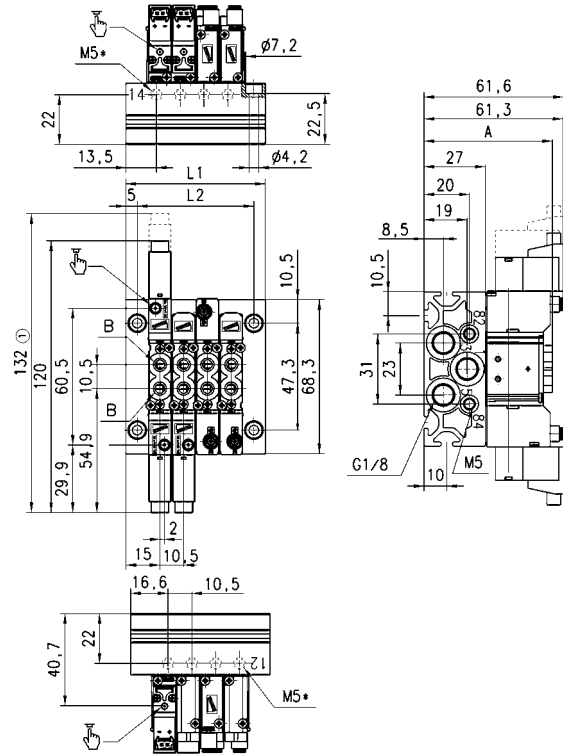
| DIMENSIONS | | | | | | | | | | | | | |
|------------|------|-------------|------|------|------|-------|-------|-------|-------|-------|-------|-------|-------|
| Mod. | Size | N° Position | 02 | 03 | 04 | 05 | 06 | 07 | 08 | 09 | 10 | 11 | 12 |
| E550-21.. | 19 | L1 | 61,5 | 80,5 | 99,5 | 118,5 | 137,5 | 156,5 | 175,5 | 194,5 | 213,5 | 232,5 | 251,5 |
| E550-21.. | 19 | L2 | 49,5 | 68,5 | 87,5 | 106,5 | 125,5 | 144,5 | 163,5 | 182,5 | 201,5 | 220,5 | 239,5 |
| E550-2K.. | 19 | L1 | 61,5 | 80,5 | 99,5 | 118,5 | 137,5 | 156,5 | 175,5 | 194,5 | 213,5 | 232,5 | 251,5 |
| E550-2K.. | 19 | L2 | 49,5 | 68,5 | 87,5 | 106,5 | 125,5 | 144,5 | 163,5 | 182,5 | 201,5 | 220,5 | 239,5 |

| DIMENSIONS | | | | | | | | | | | | | | | | | | | | | | | | | | | | | | | | |
|------------|------|------|------|------|----|------|----|------|----|----|------|------|----|------|---|------|----|----|------|------|------|------|------|----|----|------|------|------|----|----|-----|----|
| Mod. | Size | G1 | G2 | G3 | G4 | A | B | C | D | E | F | G | H | I | L | M | M1 | M2 | N | O | P | Q | R | R1 | S | S1 | T | T1 | U | V | W | Z |
| E550-21 | 19 | G1/4 | G3/8 | G1/8 | M5 | 21,2 | 19 | 26,3 | 15 | 10 | 35,5 | 49,5 | 42 | 23,2 | 6 | 76,5 | 94 | 7 | 18,8 | 19,2 | 52,3 | 49,4 | 25,5 | 27 | 24 | 12,5 | 18,7 | 22,7 | 46 | 54 | 7,5 | 69 |
| E550-2K | 19 | 10/8 | G3/8 | G1/8 | M5 | 21,2 | 19 | 26,3 | 15 | 10 | 35,5 | 49,5 | 42 | 23,2 | 6 | 76,5 | 94 | 7 | 18,8 | 19,2 | 52,3 | 49,4 | 25,5 | 27 | 24 | 12,5 | 18,7 | 22,7 | 46 | 54 | 7,5 | 69 |

The company reserves the right to vary models and dimensions without notice. Products designed for industrial applications. Sale to general public is forbidden.

Dim. of manifolds - valves with outlets on the body - size 10.5

5/2 and 5/3, ports M5 and tube 4/2.



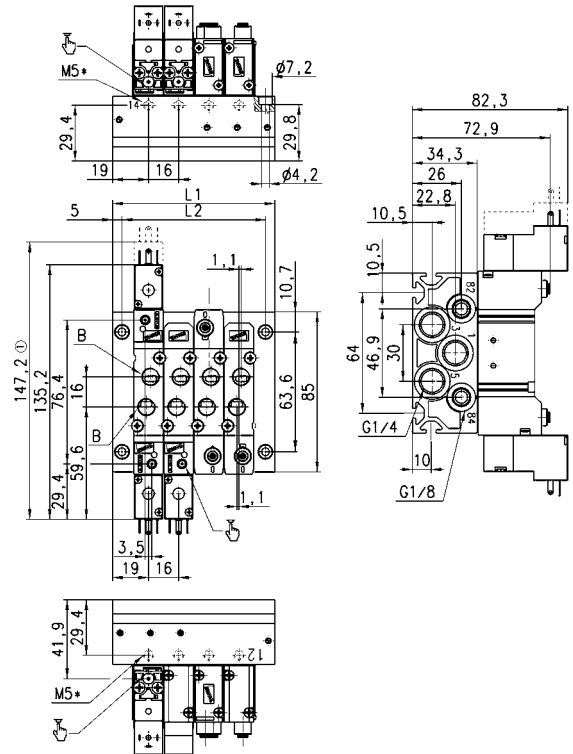
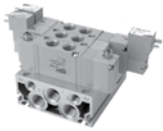
DIMENSIONS

| Mod. | A | B | L1 - L2 N° 1 Position | L1 - L2 N° 2 Positions | Fixed quote for position |
|------|------|-----|-----------------------|------------------------|--------------------------|
| E521 | 56,6 | M5 | 40,5 - 30,5 | 51 - 41 | 10,5 |
| E52C | 65,1 | 4/2 | 40,5 - 30,5 | 51 - 41 | 10,5 |

① Size referred to 5/3 valve M5*
Separate pilot supply on request.

Dim. of manifolds - valves with outlets on the body - size 16

5/2 and 5/3 way, ports G1/8 and tube 6/4 and 8/6



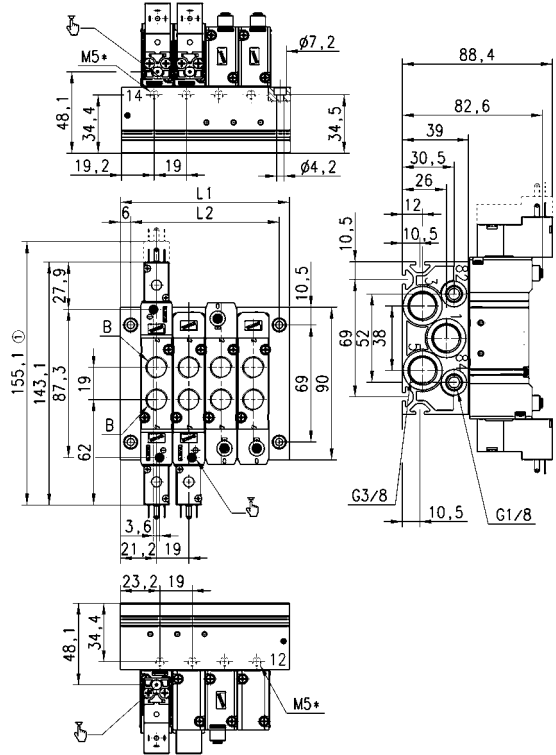
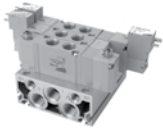
DIMENSIONS

| Mod. | B | L1 - L2 N° 1 Position | L1 - L2 N° 2 Positions | Fixed quote for position |
|------|------|-----------------------|------------------------|--------------------------|
| E531 | G1/8 | 54 - 44 | 70 - 60 | 16 |
| E53E | 6/4 | 54 - 44 | 70 - 60 | 16 |
| E53G | 8/6 | 54 - 44 | 70 - 60 | 16 |

① Size referred to 5/3 valve M5*
Separate pilot supply on request.

Dim. of manifolds - valves with outlets on the body - size 19

5/2 and 5/3, ports G1/4 and tube 10/8.



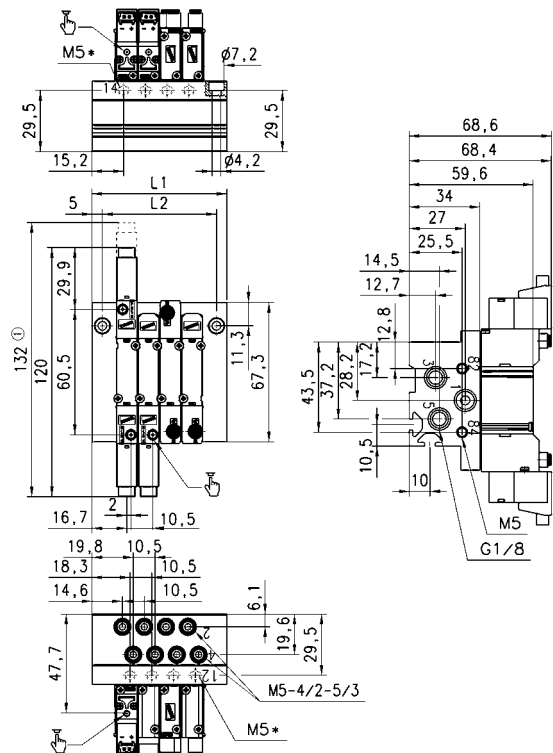
DIMENSIONS

| Mod. | A | B | L1 - L2 N° 1 Position | L1 - L2 N° 2 Positions | Fixed quote for position |
|------|------|------|-----------------------|------------------------|--------------------------|
| E551 | 84,6 | G1/4 | 61,5 - 49,5 | 80,5 - 68,5 | 19 |
| E53K | 92,6 | 10/8 | 61,5 - 49,5 | 80,5 - 68,5 | 19 |

① Size referred to 5/3 valve
M5* Separate pilot supply on request.

Dim. of manifolds - valves with outlets on the body - size 10.5

5/2 and 5/3.



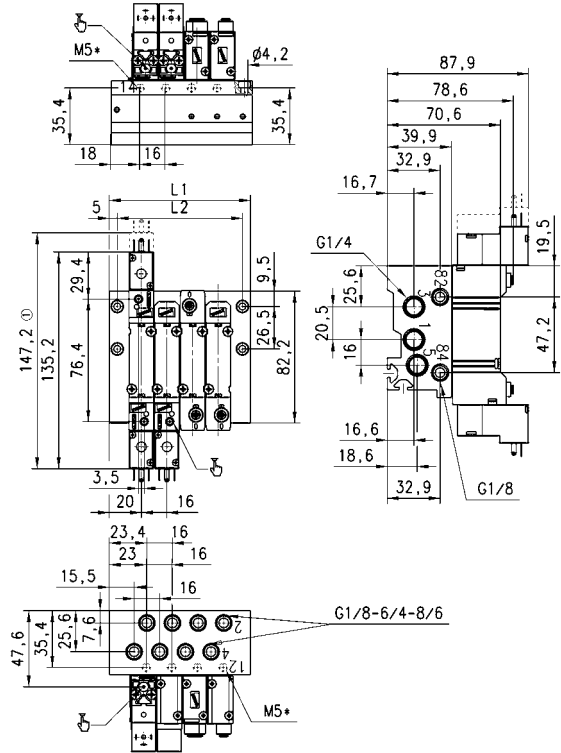
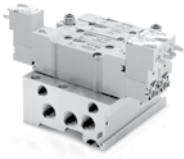
DIMENSIONS

| N° Position | 2 | 3 | 4 | 5 | 6 | 7 | 8 | 9 | 10 | 11 | 12 |
|-------------|----|------|----|------|----|------|-----|-------|-----|-------|-----|
| L1 | 44 | 54,5 | 65 | 75,5 | 86 | 96,5 | 107 | 117,5 | 128 | 138,5 | 149 |
| L2 | 34 | 44,5 | 55 | 65,5 | 76 | 86,5 | 97 | 107,5 | 118 | 128,5 | 139 |

① Size referred to 5/3 valve
M5* Separate pilot supply on request.

Dim. of manifolds - valves with outlets on the body - size 16

5/2 and 5/3.



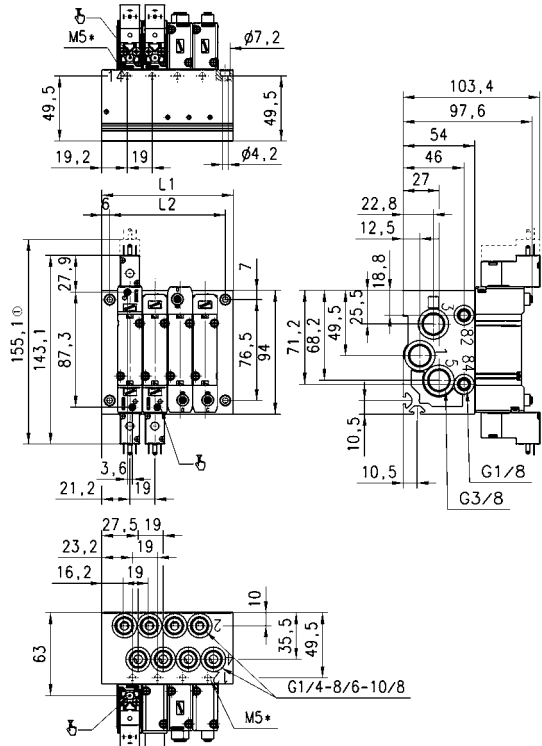
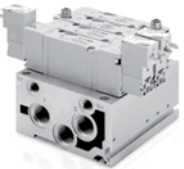
① Size referred to 5/3 valve
M5* Separate pilot supply on request.

DIMENSIONS

| N° Position | 2 | 3 | 4 | 5 | 6 | 7 | 8 | 9 | 10 | 11 | 12 |
|-------------|----|----|----|-----|-----|-----|-----|-----|-----|-----|-----|
| L1 | 56 | 72 | 88 | 104 | 120 | 136 | 152 | 168 | 184 | 200 | 216 |
| L2 | 46 | 62 | 78 | 94 | 110 | 126 | 142 | 158 | 174 | 190 | 206 |

Dim. of manifolds - valves with outlets on the body - size 19

5/2 and 5/3.



① Size referred to 5/3 valve
M5* Separate pilot supply on request.

DIMENSIONS

| N° Position | 2 | 3 | 4 | 5 | 6 | 7 | 8 | 9 | 10 | 11 | 12 |
|-------------|------|------|------|-------|-------|-------|-------|-------|-------|-------|-------|
| L1 | 61,4 | 80,4 | 99,4 | 118,4 | 137,4 | 156,4 | 175,4 | 194,4 | 213,4 | 232,4 | 251,4 |
| L2 | 49,4 | 68,4 | 87,4 | 106,4 | 125,4 | 144,4 | 163,4 | 182,4 | 201,4 | 220,4 | 239,4 |

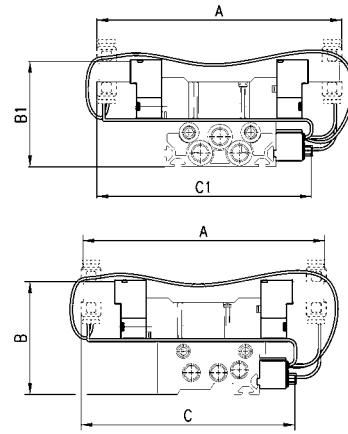
CODING EXAMPLE

| | | | | | | | | | | |
|-----------|----------|----------|----------|----------|----------|----------|-----------|----------|----------|-----------|
| G1 | P | A | - | E | - | B | 02 | - | M | 04 |
|-----------|----------|----------|----------|----------|----------|----------|-----------|----------|----------|-----------|

| | |
|-----------|--|
| G1 | G1 = power supply unit 15 poles IP 20 (maximum 12 connections) G2 = power supply unit 25 poles IP 20 (maximum 22 connections) G3 = power supply unit 15 poles IP 54 (maximum 12 connections) G4 = power supply unit 25 poles IP 54 (maximum 22 connections) |
| P | DIMENSIONS OF SOLENOID CONNECTORS: P = 15x15 (distance between electrical pins 9.4 mm) W = 15x15 (distance between electrical pins 8 mm) |
| A | CHARACTERISTICS OF SOLENOID CONNECTORS: A = standard connector B = direct current + protection (negative ground) C = direct current + protection + LED (negative ground 10/50V) M = alternative current + protection |
| E | MANIFOLD SIZE: E = series E sizes 16, 19 |
| B | B = bistable solenoid valves |
| 02 | NUMBER OF BISTABLE SOLENOID VALVES |
| M | M = monostable solenoid valves |
| 04 | NUMBER OF MONOSTABLE SOLENOID VALVES |

Power supply unit for solenoid valves assembled on manifolds

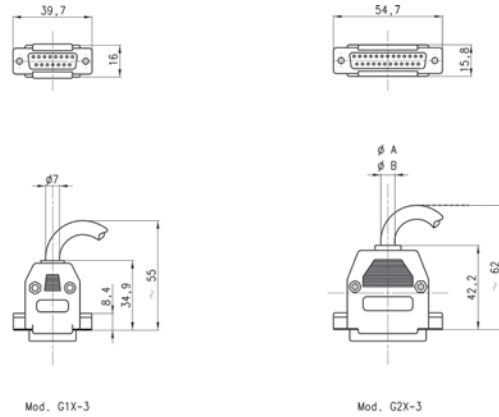
The power supply unit is made up of a 15 and 25 pin connector (DIN 41652) as well as of modules to which the coil lead wires can be connected. The maximum number of coils that can be connected to the power supply unit is 12 and 22. It is recommended to use the power supply unit in environments according protection class "IP".



| DIMENSIONS | | | | | |
|------------|-------|------|----|-------|-------|
| Size | A | B | B1 | C | C1 |
| 16 | 183,6 | 88,5 | 83 | 162,5 | 163 |
| 19 | 191,5 | 104 | 89 | 172,5 | 169,5 |

The power supply unit can be assembled only on manifolds for solenoids valves size 16 and 19.

15 and 25 poles female connector



| DIMENSIONS | |
|--------------|---|
| Mod. | |
| G1X-3 | Connector SUB-D 15 Poles IP 20 cable 3m |
| G2X-3 | Connector SUB-D 25 Poles IP 20 cable 3m |

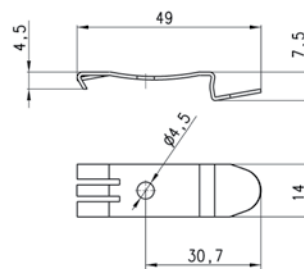
Communication cable with pins of the connector is in the documentation attached to the

packaging of the product.

Mounting brackets



DIN EN 50022 (mm 7,5 x 35 - width 1)
 Suitable for all manifolds.
 The following is supplied:
 2x plates
 2x screws

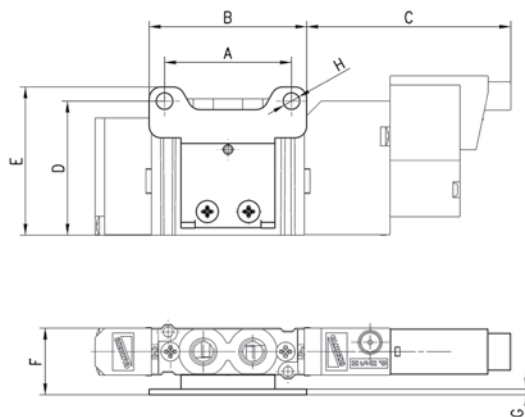


Mod.
PCF-E520

Horizontal mounting foot bracket for valves with outlets on the body



The following is supplied:
 1x foot bracket
 2x screws.

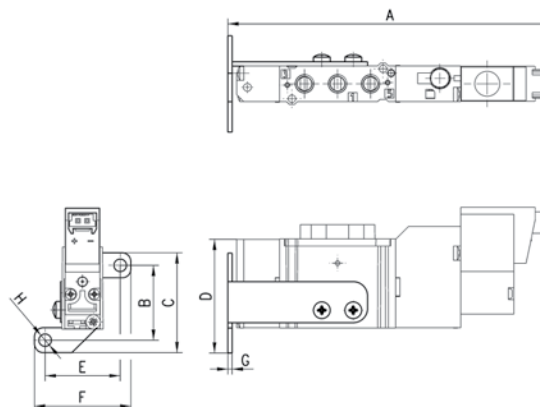


| DIMENSIONS | | | | | | | | | |
|----------------|------|----|------|------|------|------|------|-----|-----|
| Mod. | Size | A | B | C | D | E | F | G | H |
| B1-E521 | 10,5 | 27 | 33,5 | 43,4 | 28,5 | 31,5 | 14,2 | 1,2 | 3,5 |
| B1-E531 | 16 | 47 | 58 | 38,6 | 41,3 | 45,3 | 20,6 | 1,2 | 4,5 |
| B1-E531 | 19 | 47 | 58 | 42,6 | 40 | 44 | 23,6 | 1,2 | 4,5 |

Vertical mounting foot bracket for valves with outlets on the body



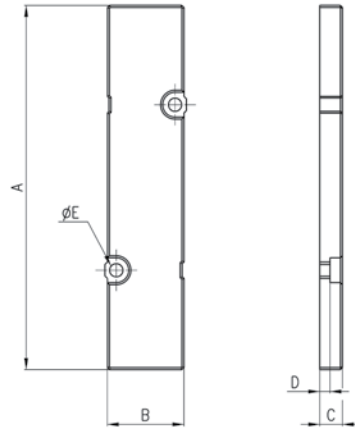
The following is supplied:
 1x foot bracket
 2x screws
 Monostable valves only.



| DIMENSIONS | | | | | | | | | |
|----------------|------|-------|------|------|------|------|----|-----|-----|
| Mod. | Size | A | B | C | D | E | F | G | H |
| B2-E521 | 10,5 | 90,8 | 21 | 28 | 31,9 | 21 | 27 | 1,2 | 3,5 |
| B2-E531 | 16 | 107,4 | 25,5 | 33,5 | 36,4 | 27,5 | 35 | 1,2 | 4,5 |
| B2-E531 | 19 | 114,6 | 25,5 | 33,5 | 42,8 | 27,5 | 35 | 1,2 | 4,5 |

Blanking plate for manifolds - base mounted valves

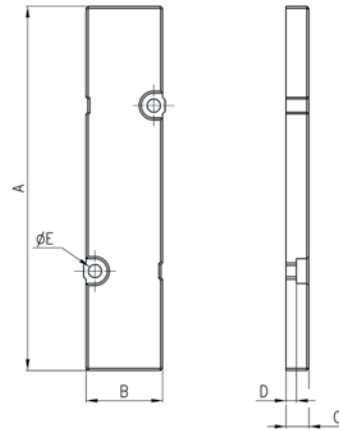
The following is supplied:
 1x blanking plate
 2x screws
 1x seal.



| DIMENSIONS | | | | | | |
|------------|------|------|------|---|-----|-----|
| Mod. | Size | A | B | C | D | øE |
| TP-E521 | 10,5 | 66 | 10 | 6 | 3,5 | 2,1 |
| TP-E531 | 16 | 48,2 | 15,5 | 6 | 3,5 | 3,2 |
| TP-E551 | 19 | 55,7 | 18,5 | 6 | 3 | 3,2 |

Blanking plate for manifolds - base mounted valves

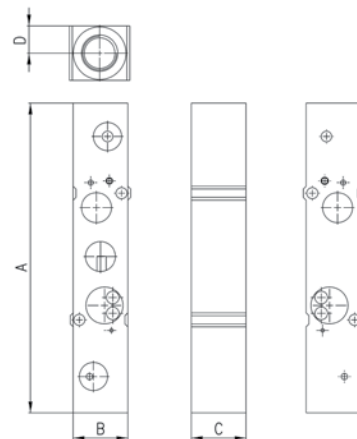
The following is supplied:
 1x blanking plate
 2x screws
 1x seal.



| DIMENSIONS | | | | | | |
|------------|------|------|------|---|-----|-----|
| Mod. | Size | A | B | C | D | øE |
| TP-E520 | 10,5 | 66 | 10 | 6 | 3,5 | 2,1 |
| TP-E530 | 16 | 48,2 | 15,5 | 6 | 3,5 | 3,2 |
| TP-E550 | 19 | 55,7 | 18,5 | 6 | 3 | 3,2 |

Intermediate plate for valves to provide a separate supply in 1

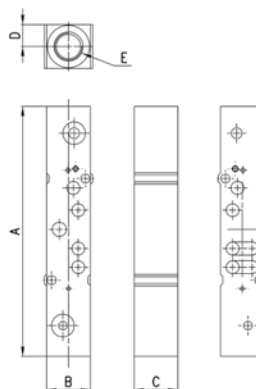
Base mounted valves.
 The following is supplied:
 1x plate
 2x screws
 1x interface seal
 2x O-Ring.



| DIMENSIONS | | | | | | |
|------------|------|------|------|----|-----|------|
| Mod. | Size | A | B | C | D | E |
| PCP-E521 | 10,5 | 72,5 | 10 | 10 | 5 | M5 |
| PCP-E531 | 16 | 88,6 | 15,5 | 18 | 7,7 | G1/8 |
| PCP-E551 | 19 | 100 | 18,5 | 20 | 10 | G1/4 |

Intermediate plate for valves to provide a separate supply in 1

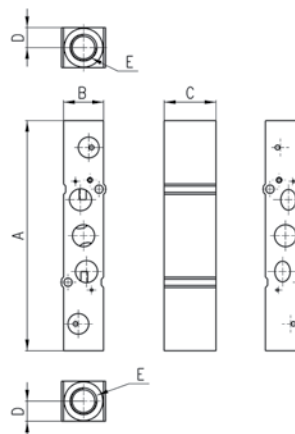
Base mounted valves.
The following is supplied:
1x plate
2x screws
1x interface seal
2x OR.



| DIMENSIONS | | | | | | |
|------------|------|------|------|----|-----|------|
| Mod. | Size | A | B | C | D | E |
| PCP-E520 | 10,5 | 72,5 | 10 | 10 | 5 | M5 |
| PCP-E530 | 16 | 88,6 | 15,5 | 18 | 7,7 | G1/8 |
| PCP-E550 | 19 | 100 | 18,5 | 20 | 10 | G1/4 |

Intermediate plate for valves to provide separate supply in 3 and 5

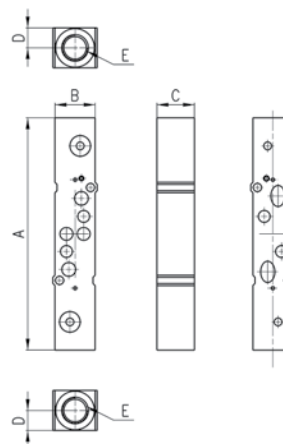
Kits for valves with outlets on the body Mod. E2*1-
**.
The following is supplied:
1x plate
2x screws
1x interface seal
2x OR.



| DIMENSIONS | | | | | | |
|------------|------|-----|------|----|-----|------|
| Mod. | Size | A | B | C | D | E |
| PCS-E521 | 10,5 | 76 | 10 | 10 | 5 | M5 |
| PCS-E531 | 16 | 90 | 15,5 | 18 | 7,7 | G1/8 |
| PCS-E551 | 19 | 105 | 18,5 | 20 | 10 | G1/4 |

Intermediate plate for valves to provide separate supply in 3 and 5

Kits for valves mounted on subbase Mod. E2*0-
**.
The following is supplied:
1x plate
2x screws
1x interface seal
2x OR.



| DIMENSIONS | | | | | | |
|------------|------|-----|------|----|-----|------|
| Mod. | Size | A | B | C | D | E |
| PCS-E520 | 10,5 | 76 | 10 | 10 | 5 | M5 |
| PCS-E530 | 16 | 90 | 15,5 | 18 | 7,7 | G1/8 |
| PCS-E550 | 19 | 105 | 18,5 | 20 | 10 | G1/4 |