

HMV/HSV

Manual switching valve

4 port valve

Overview

This HMV/HSV series manual switching valve is 4 port valve with slide valve method at main valve. Applicable cylinder bore size: 20 to 160mm.

Features

Easy operation with low sliding friction


For operation, swing lever (detent mechanism incorporated rotary) method is used.

2 types are available according to applications.

Miniature type (Rc1/4)
Standard type
(Rc1/4, 3/8, 1/2, 3/4)



CONTENTS

Series variation	808
 Precautions	809
Manual switching valve HMV/HSV	
• Miniature type (HMV)	810
• Standard type (HSV)	810

4SA/B0

4SA/B1

4GA/B

MN4GA/B

4GA/B
(master)

MN3S0/
MN4S0

4TB

4L2-4/
LMFO

4KA/B

4F

PV5/
CMF

3MA/B0

3PA/B

P/M/B

NP/NAP/
NVP

4F**0E

HMV/
HSV


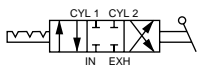

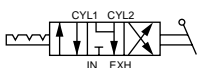
Uniwire
system

SKH

PCD/
FS/FD

Manual switching valve



Series	No. of port	Position JIS symbol	Valve faculty		Solenoid position		Port size				Page selection	
			Effective sectional area (mm ²)	Applicable cylinder bore size	3-position all ports closed	3-position A.B.R. connection	Female thread					
							Rc1/4	Rc3/8	Rc1/2	Rc3/4		
Discrete	HMV series 	Miniature	• HMVC2, HSVC2 (all ports closed) Switching position 1 N 2 	8	20 to 40 mm	●	●	●				810
	HSV series 	Standard		• HMVO2, HSVO2 (ABR connection) Switching position 1 N 2 	40 to 55	Up to 160 mm	●	●	●	●	●	●

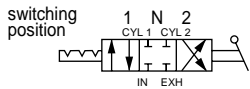


Manual switching valve HMV/HSV Series

JIS symbol

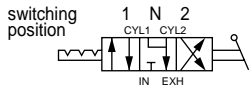
- HMVC2, HSVC2

(all ports closed)



- HMVO2, HSVO2

(ABR connection)

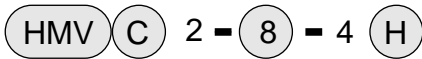


Common specifications

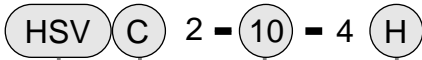
Descriptions	HMV _{O2}		HSV _{O2}			
	Compressed air					
Working fluid	Compressed air					
Working temperature	°C	5 to 50				
Working pressure	MPa	0 to 1.0				
Withstanding pressure	MPa	1.5				
Operation angle	degree	90				
Port size	Rc	1/4	1/4	3/8	1/2	3/4
Effective sectional area	mm ²	8	40	50	55	55
Mass	kg	0.7	2.0	1.9	1.9	1.8

How to order

- Miniature type



- Standard type



Model

A Solenoid position

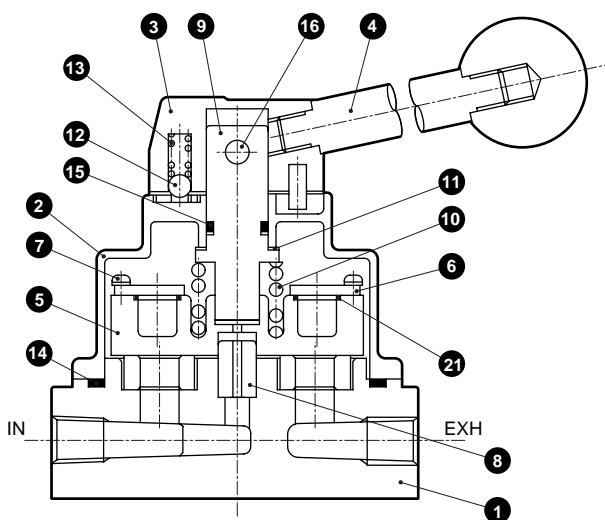
B Port size

C Porting

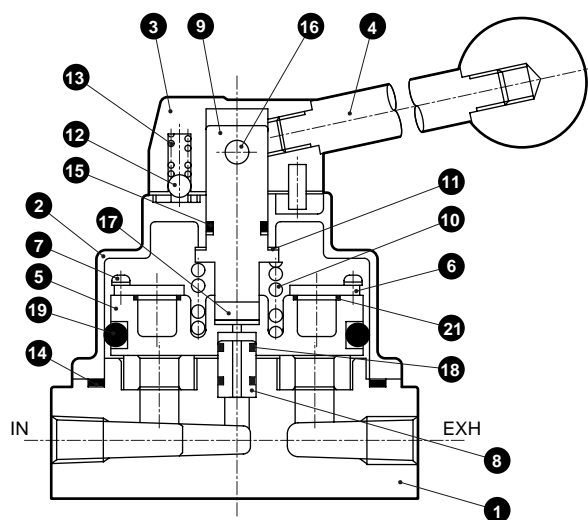
		Model	
		HMV	HSV
Symbol	Descriptions		
A Solenoid position			
C	3-position all ports closed	●	●
O	3-position A.B.R. connection	●	●
B Port size			
8	Rc1/4	●	●
10	Rc3/8		●
15	Rc1/2		●
20	Rc3/4 (Vertical porting is not available.)		●
C Pipe			
H	Side porting	●	●
V	Vertical porting (not compatible with port size of Rc3/4)	●	●

Internal structure and parts list

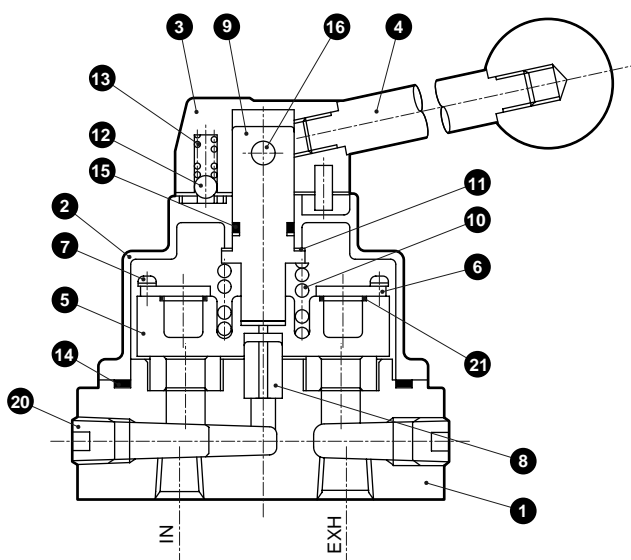
HMVC2-8-4H
HSVC2-8 to 20-4H



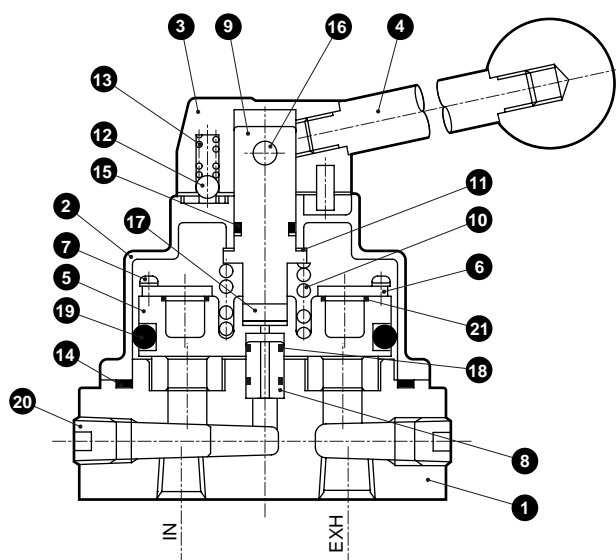
HMVO2-8-4H
HSVO2-8 to 20-4H



HMVC2-8-4V
HSVC2-8 to 15-4V



HMVO2-8-4V
HSVO2-8 to 15-4V



Main parts list

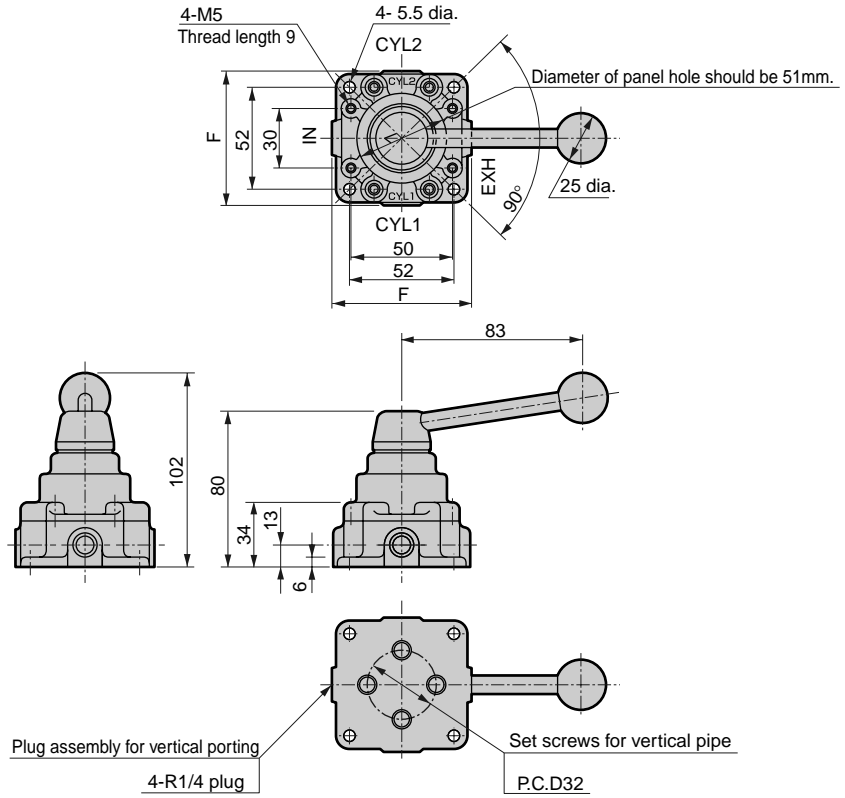
No.	Parts name	Material	No.	Parts name	Material
1	Body assembly	Zinc alloy die-casting	11	Washer	Special polyethylene
2	Cover assembly	Zinc alloy die-casting	12	Ball	Stainless steel
3	Handle head	Zinc alloy die-casting	13	Spring	Stainless steel
4	Handle assembly	Steel	14	O ring	Nitrile rubber
5	Slide ring	Zinc alloy die-casting	15	O ring	Nitrile rubber
6	Plate	Steel	16	Pin	Steel
7	Cross headed tapping screw	Steel	17	Spindle guide	Steel
8	Rod	Steel	18	O ring	Nitrile rubber
9	Spindle	Stainless steel	19	O ring	Nitrile rubber
10	Spring	Piano wire	20	Hexagon socket head plug	Steel
			21	Gasket	Nitrile rubber

4SA/B0
4SA/B1
4GA/B
MN4GA/B
4GA/B (master)
MN3S0/
MN4S0
4TB
4L2-4/
LMFO
4KA/B
4F
PV5/
CMF
3MA/B0
3PA/B
P/M/B
NP/NAP/
NVP
4F*0E
HMV/
HSV
Uniwire
system
SKH
PCD/
FS/FD

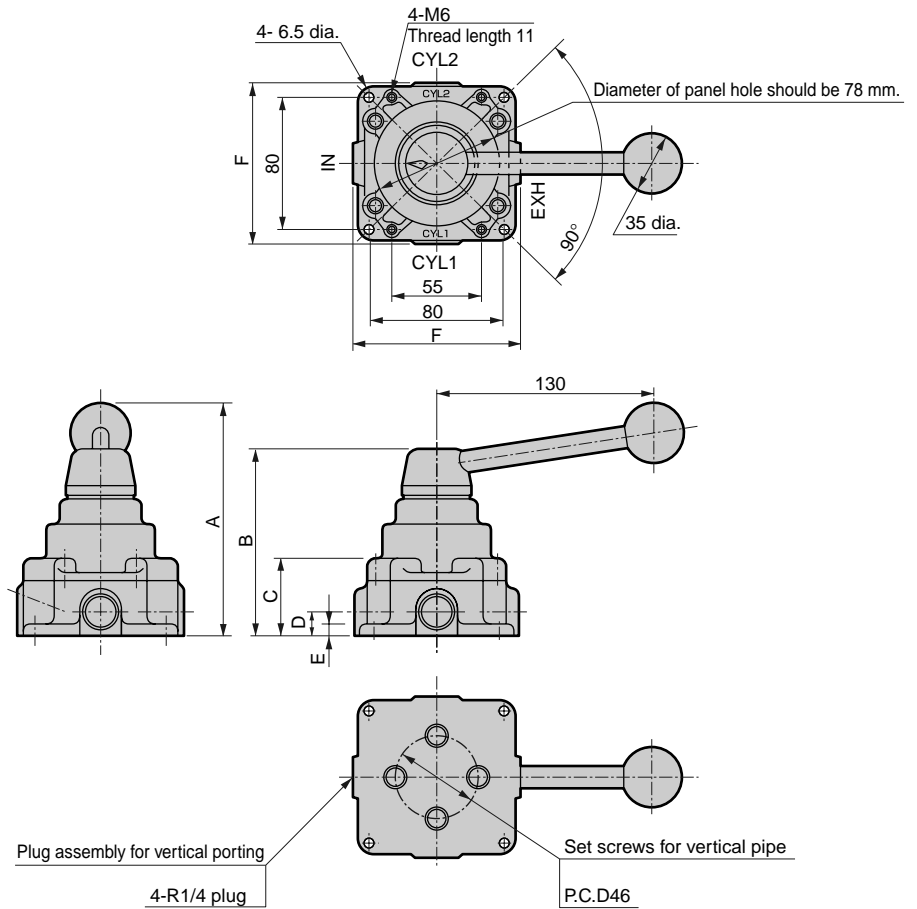
HMV/HSV Series

Dimensions

HMVC2-8-4H,4V
HMVO2-8-4H,4V



HSVC2-8 to 20-4H,4V
HSVO2-8 to 20-4H,4V



Model	A	B	C	D	E	F
HMV * 2-8-4H						68
HMV * 2-8-4V						74
HSV * 2-8 to 15-4H	132	105	42	15	6	98
HSV * 2-8 to 15-4V	132	105	42	15	6	104
HSV * 2-20-4H	137	110	47	18	10	98