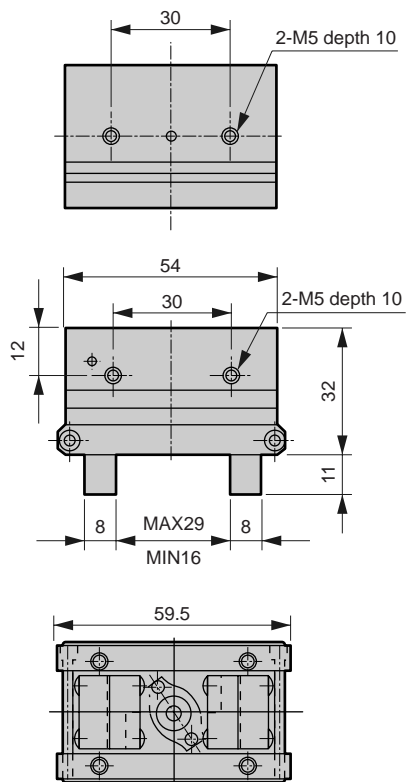


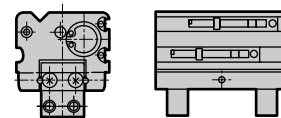
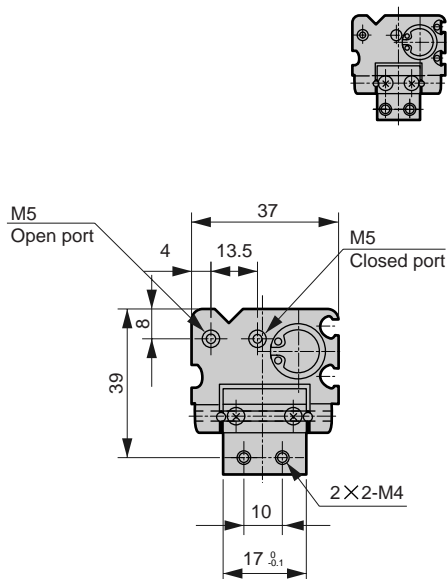
### Dimensions



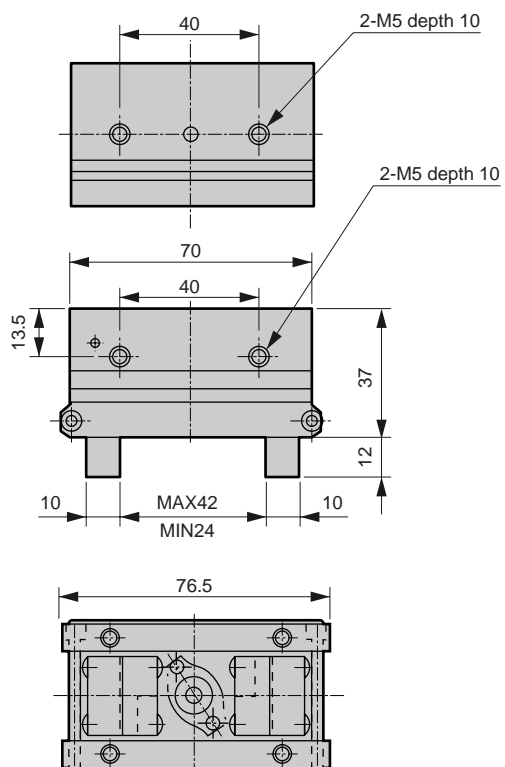
● HLB-12CS standard



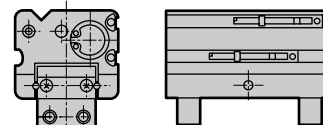
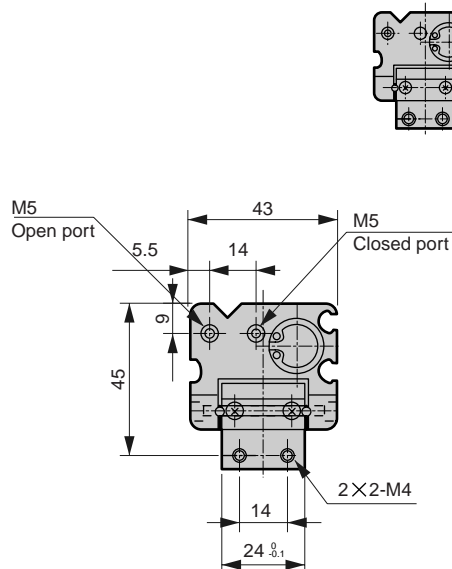
● With switch



● HLB-15CS standard



● With switch



RRC
GRC
RV3*
NHS
HR
LN
FH100
HAP
BSA2
BHA/ BHG
LHA
LHAG
HKP
HLA/ HLB
HLAG/ HLBG
HEP
HCP
HMF
HMFB
HFP
HLC
HGP
FH500
HBL
HDL
HMD
HJL
BHE
CKG
CK
CKA
CKS
CKF
CKJ
CKL2
CKL2 *-HC
CKH2
CKLB2
NCK/ SCK/FCK
FJ
FK
Ending

Thin parallel hand  
Hand

## Dimensions



● HLB-20CS standard

● With switch

- RRC
- GRC
- RV3\*
- NHS
- HR
- LN
- FH100
- HAP
- BSA2
- BHA/BHG
- LHA
- LHAG
- HKP
- HLA/HLB
- HLAG/HLBG
- HEP
- HCP
- HMF
- HMFB
- HFP
- HLC
- HGP
- FH500
- HBL
- HDL
- HMD
- HJL
- BHE
- CKG
- CK
- CKA
- CKS
- CKF
- CKJ
- CKL2
- CKL2-\*.HC
- CKH2
- CKLB2
- NCK/SCK/FCK
- FJ
- FK
- Ending

