

# Rotary Cylinder

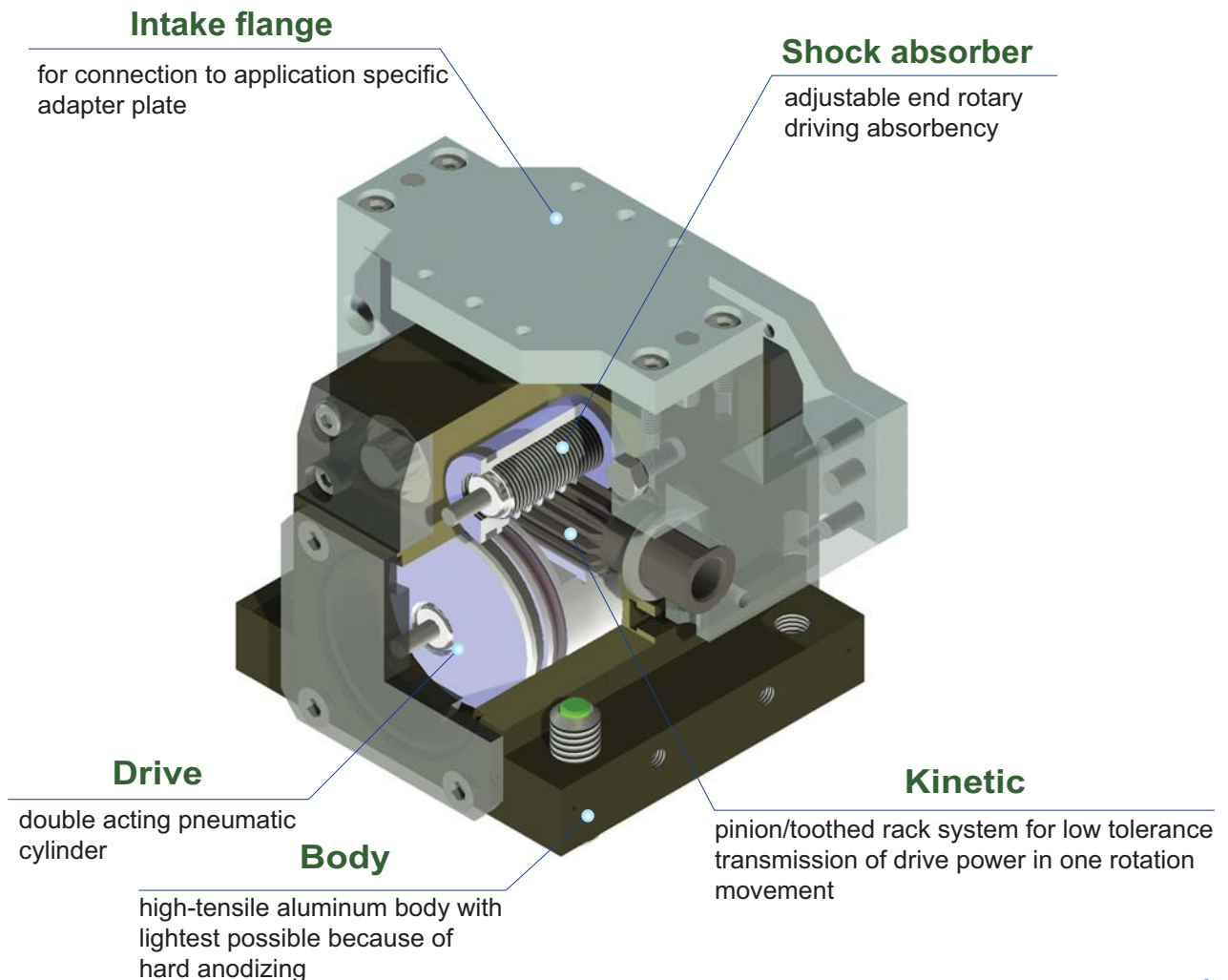
RTU-25,40,50

## Character

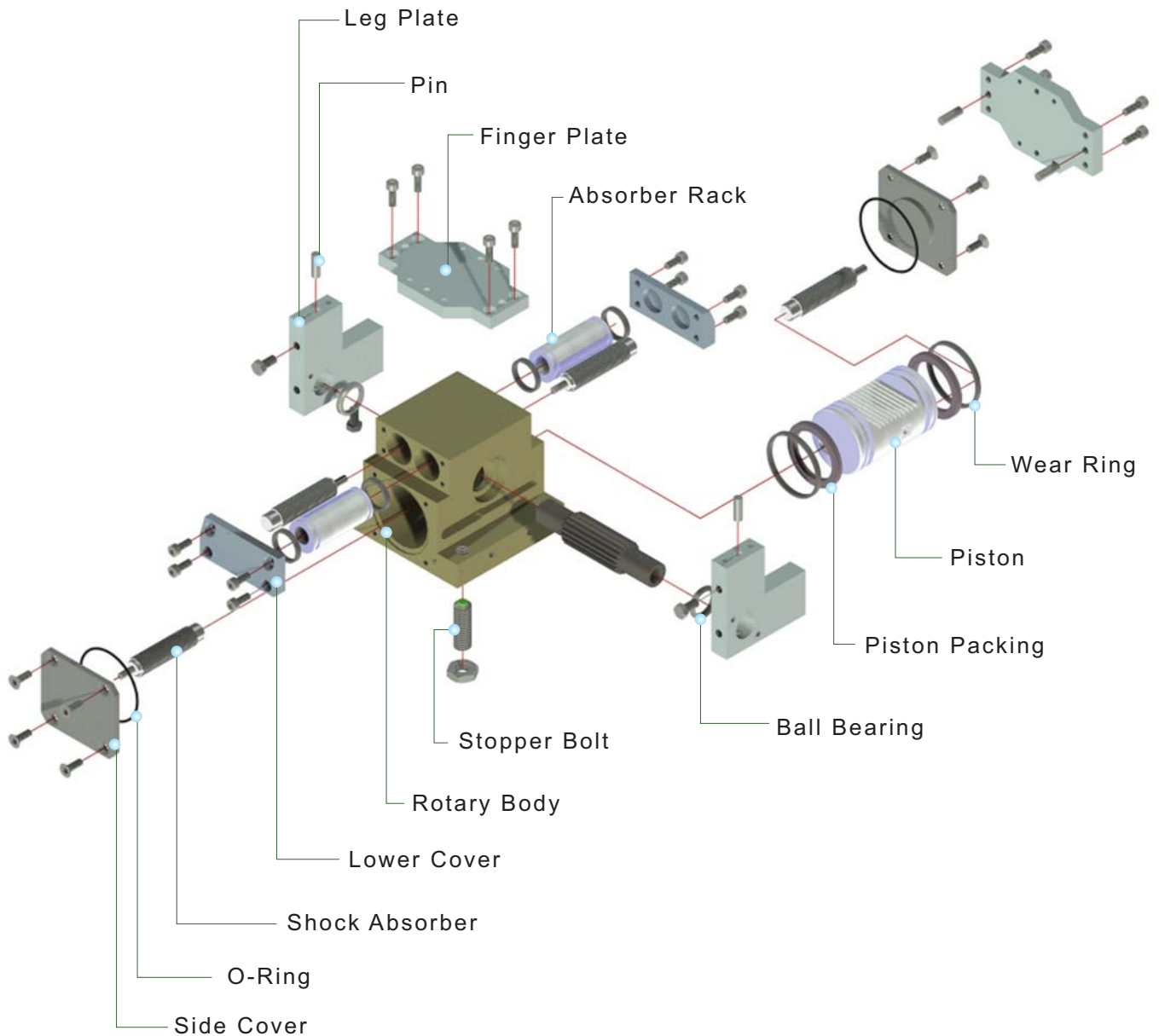
- Rectangular rotary unit to be able to rotate two grippers rectangularly mounted unit
- In case of using with series AF30 or AF46, easy to assemble into a module
- Internal shock absorber reduce shock at end of rotation and increase road stopping capacity
- Light weight grippers (e.g. AF28D) to mount at unit is suitable



## Finger attachable 90° swivel unit

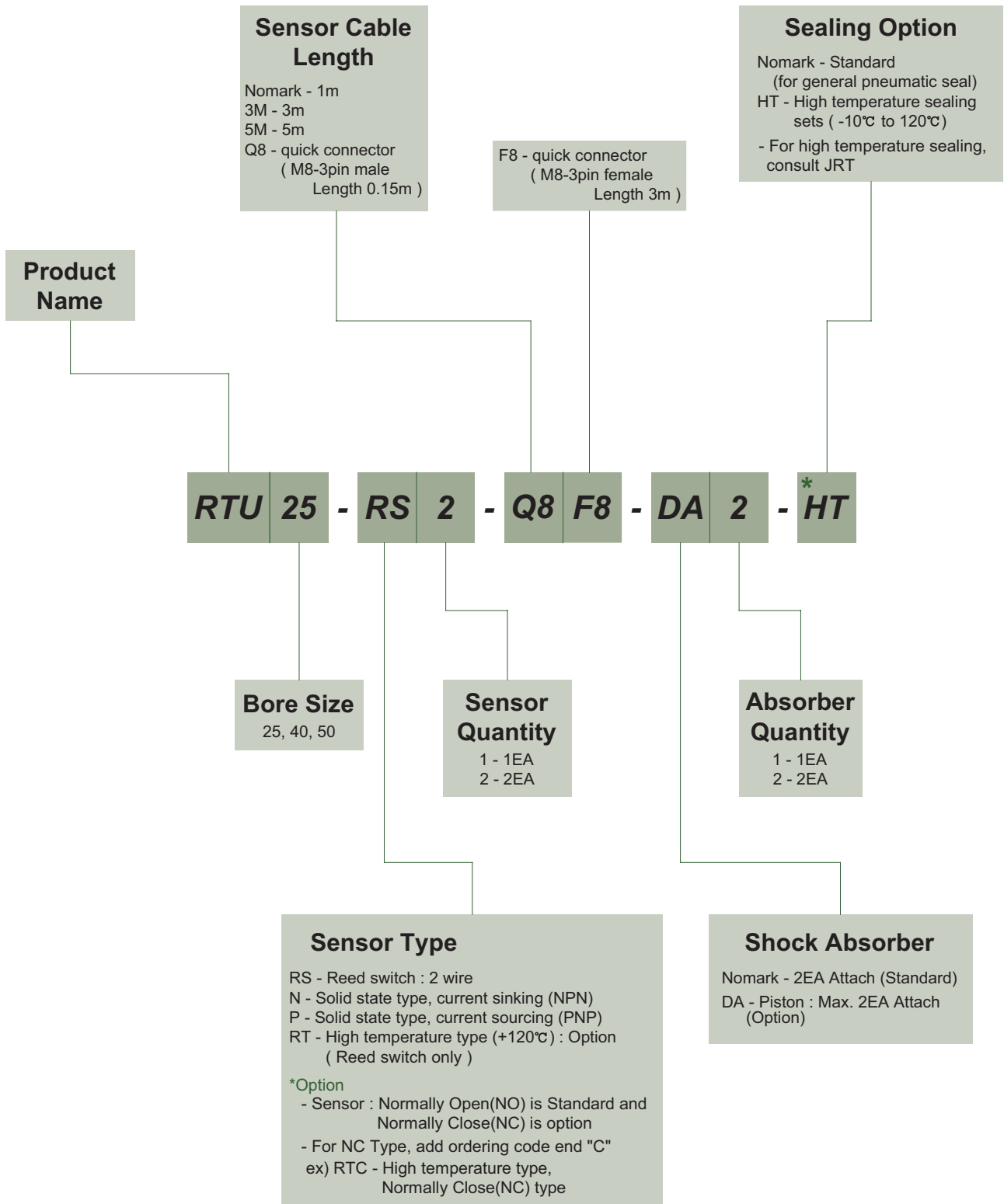


## Exploded view



# RTU

## Ordering Code



*The delivery of \* mark option is longer than a standard, So inquire of JRT*

# RTU

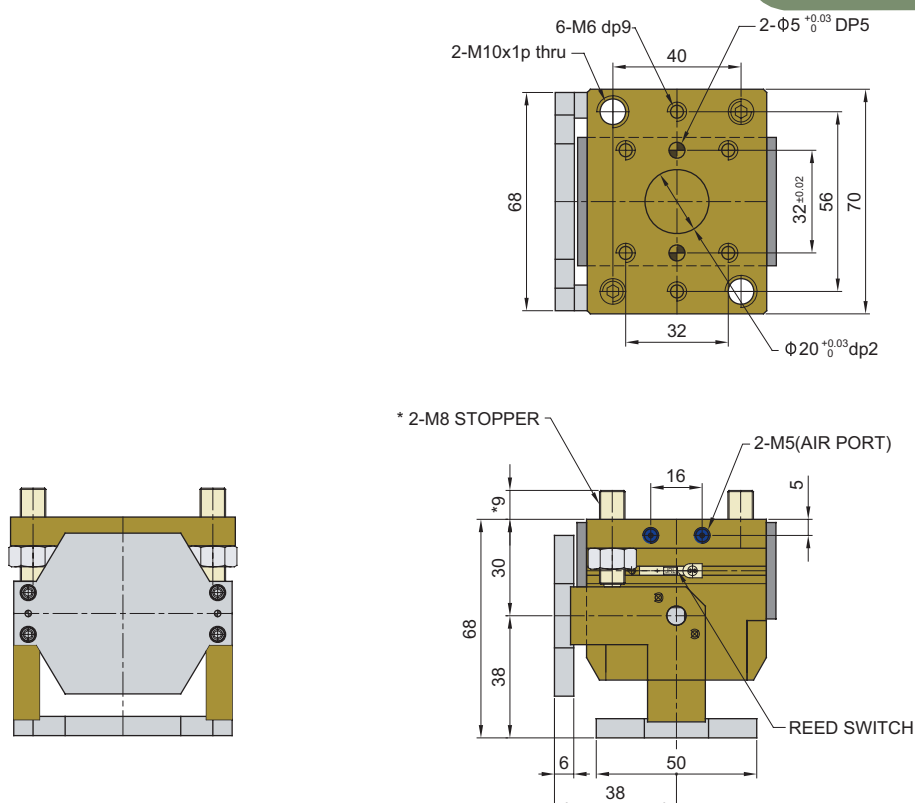
## Specification

P=Air Pressure[bar]

Products Name	RTU25	RTU40	RTU50	Unit
Actual Torque	0.169P	0.774P	1.411P	N.m
Radial payload	1.2	1.9	2.8	kg
Compress load(thrust)	0.6	1.2	1.6	kg
Weight	0.68	1.97	3.24	kg
Turning Time	0.5	0.8	1.0	sec
Fitting size	M5	M5	PF(G) 1/8	
Air consumption quantity	7.7	35.5	64.8	Cm <sup>3</sup>
Cushion	Stopper or Absorber			
Repetition Accuracy	±0.1			degree
Operating pressure	3 to 7			bar
Ambient temperature	-5 to 60			°C
Lubrication	Needless			

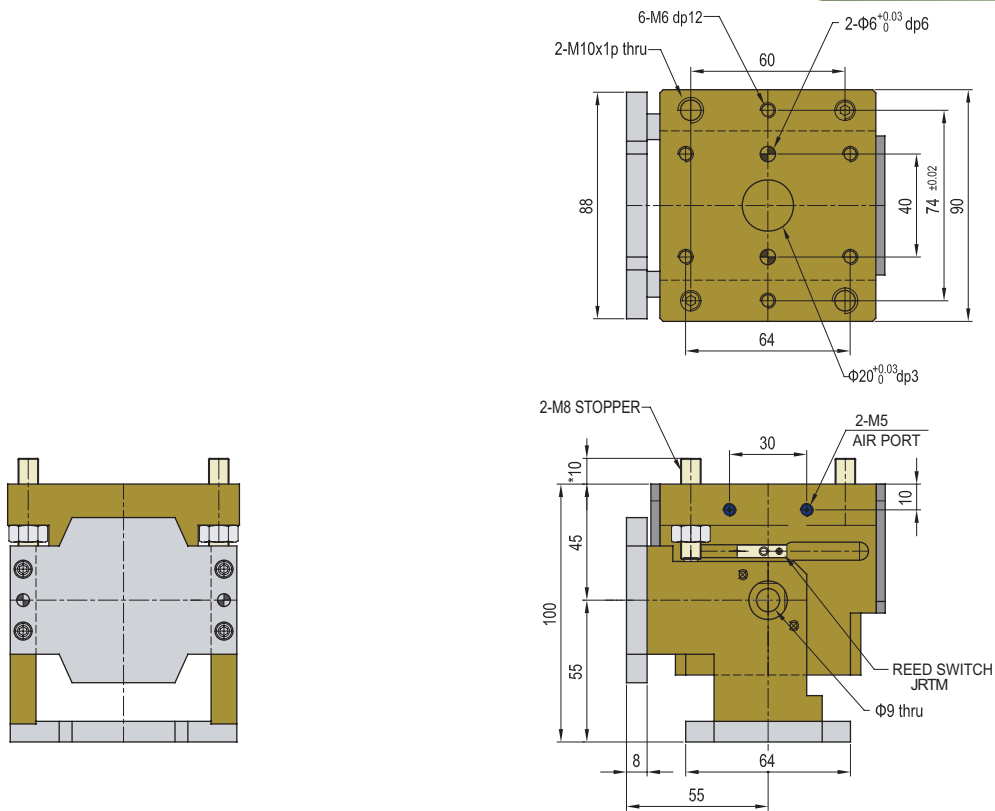
\* After 100 consecutive strokes to end positions

### RTU-25

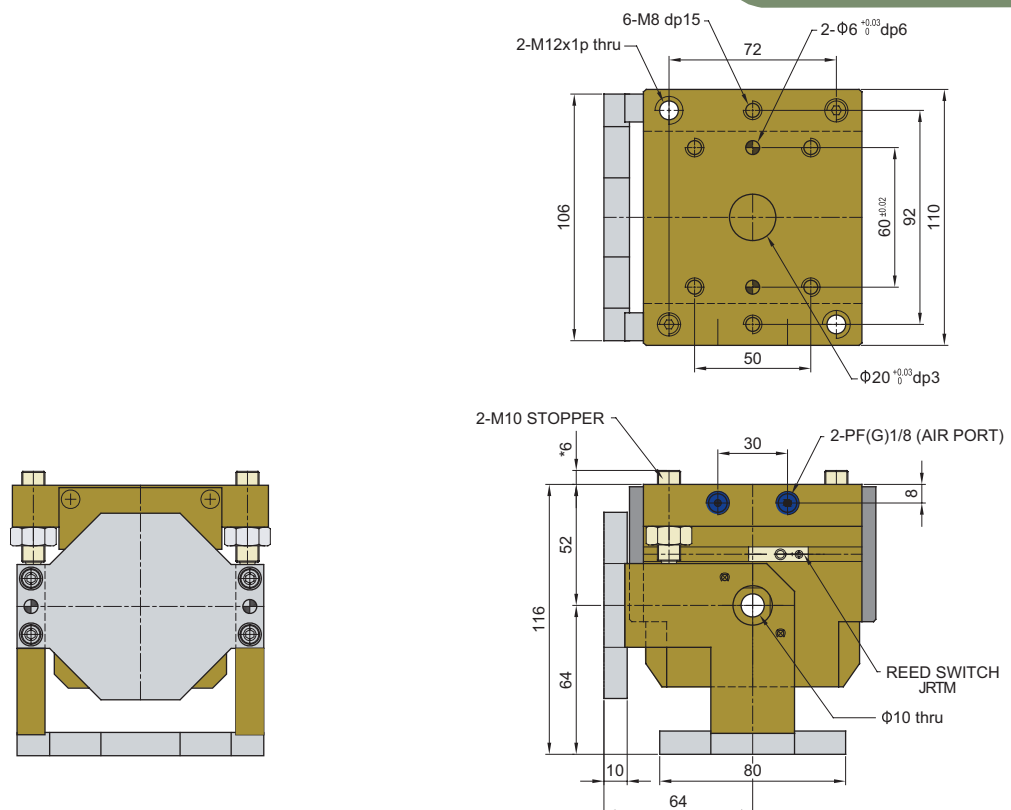


# RTU

## RTU-40



## RTU-50



# Notes

A large grid of dashed lines for writing notes. The grid consists of 20 columns and 25 rows of squares, with rounded corners on the top and bottom edges. The lines are thin and grey, creating a clean, professional appearance.