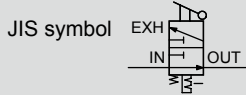


Shut-off valve Standard White Series

V1000-W/V3000-W Series

One action exhaust operation. Ideal for preventing accidents due to residual pressure in pneumatic lines.

● Port size: 1/8 to 1/2



Specifications

Descriptions	V1000-W	V3000-W
Appearance		

Descriptions		V1000-6-W	V1000-8-W	V3000-8-W	V3000-10-W	V3000-15-W
Working fluid		Compressed air				
Max. working pressure	MPa	1.0 (≈150 psi, 10 bar)				
Proof pressure	MPa	1.5 (≈220 psi, 15 bar)				
Ambient / fluid temperatures	°C	5 (41°F) to 60 (140°F)				
Operation lever switching angle		90°				
Operating force	Pushing force N	18			80	
	Torque N·m	0.5			2	
Valve section leakage	cm ³ /min(ANR)	10				
External leakage	cm ³ /min(ANR)	10				
Port size	IN/OUT	1/8	1/4	1/4	3/8	1/2
	(Rc,NPT,G)	EXH			3/8	
Weight	kg	0.17			0.25	
Effective cross-sectional area {mm ² }	IN/OUT	15	18	40	70	85
	OUT / EXH	5			40	50

Option weight

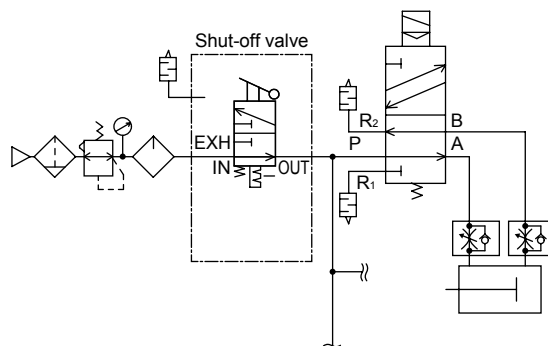
* Add to the weight of the standard accessories.

Unit: kg

Code	Attachment						
	A6*W	A8*W	A10*W	A15*W	A20*W	BW	S
V1000	0.09	0.09	0.09	0.16	0.16	0.1	0.004
V3000		0.16	0.16	0.16	0.16	0.17	0.015

Applications

Explanation: For safety, release compressed air in the pneumatic circuit from the shut-off valve before repairing or adjusting the solenoid valve or air cylinder, etc.



How to order

- Rotary actuator F.R.L.1000 Series

V1000 - 6 - W - - - A6W

- Rotary actuator F.R.L.3000, 4000 series

V3000 - 8 - W - - - A6W

A Model No.

B Port size

C Port thread

D Option

E Display unit

F Attachment

Code	Content	A Model No.	
		V1000	V3000
B Port size			
6	Rc1/8	●	
8	Rc1/4	●	●
10	Rc3/8		●
15	Rc1/2		●
C Port thread			
Blank	Rc thread	●	●
N	NPT thread	●	●
G	G thread	●	●
D Option			
Blank	Standard flow (left → right)	●	●
X1	IN/OUT reverse flow (right → left)	●	●
E Display unit			
Blank	MPa display, Rc thread	●	●
J1	MPa display, NPT, G thread	●	●
F Other attachments *1, *2			
Blank	Without attachment	●	●
A6*W	1/8 pipe adaptor set	●	
A8*W	1/4 pipe adaptor set	●	●
A10*W	3/8 pipe adaptor set	●	●
A15*W	1/2 pipe adaptor set		●
A20*W	3/4 pipe adaptor set		●
BW	C type bracket	●	●
S	Silencer	●	●
* Adaptor thread			
Blank	Rc thread	●	●
N	NPT thread	●	●
G	G thread	●	●

⚠ Precautions for model No. selection

- *1: The pipe adaptor set and C type bracket cannot be used together.
- *2: The joiner set is enclosed with the pipe adaptor set.

Specifications for rechargeable battery (Catalog No. CC-1226A)

- Structure compatible with rechargeable battery manufacturing process

V3000 - - P4*

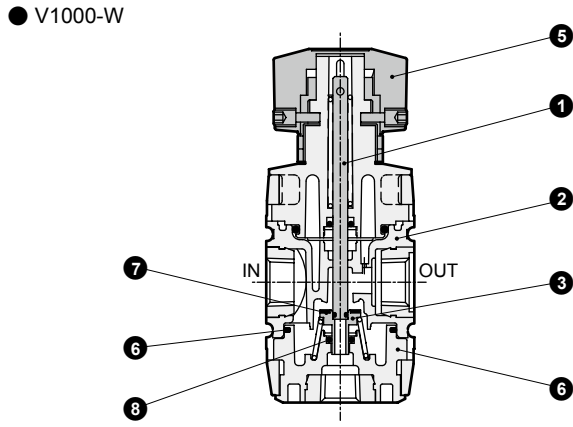
- ⚠ Select the reverse regulator (R*100-W) or reverse filter regulator (W*100-W) when installing the V*000-W onto the primary side of the regulator or filter regulator.

F.R.L
F (Filtr)
R (Reg)
L (Lub)
PresSW
Shutoff
SlowStart
FmResistFR
Oil-ProhR
MedPresFR
No Cu/PTFE FRL
Outdrs FR
F.R.L (Related)
CompFRL
LgFRL
PrescR
VacF/R
Clean FR
ElecPneuR
AirBoost
SpdContr
Silncr
CheckV/other
Jnt/tube
AirUnt
PresCompn
Mech/ElecPresSw
ContactSW
AirSens
PresSW Cool
AirFloSens/Contr
WaterRtSens
TotAirSys (Total Air)
TotAirSys (Gamma)
RefrDry
DesicDry
HiPolymDry
MainFiltr
Dischrg etc
Ending

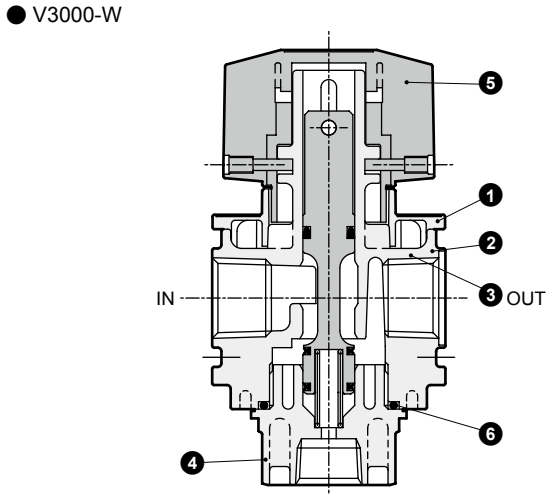
V*000-W Series

F.R.L Internal structure and parts list

- F (Filtr)
- R (Reg)
- L (Lub)
- PresSW
- Shutoff
- SlowStart
- FimResistFR
- Oil-ProhR
- MedPresFR
- No Cu/PTFE FRL
- Outdrs FR
- F.R.L (Related)
- CompFRL
- LgFRL
- PrecsR
- VacF/R
- Clean FR
- ElecPneur
- AirBoost
- SpdContr
- Silncr
- CheckV/other
- Jnt/tube
- AirUnt
- PrecsCompn
- Mech/ElecPresSw
- ContactSW
- AirSens
- PresSW Cool
- AirFloSens/Contr
- WaterRtSens
- TotAirSys (Total Air)
- TotAirSys (Gamma)
- RefrDry
- DesicDry
- HiPolymDry
- MainFiltr
- Dischrg etc
- Ending



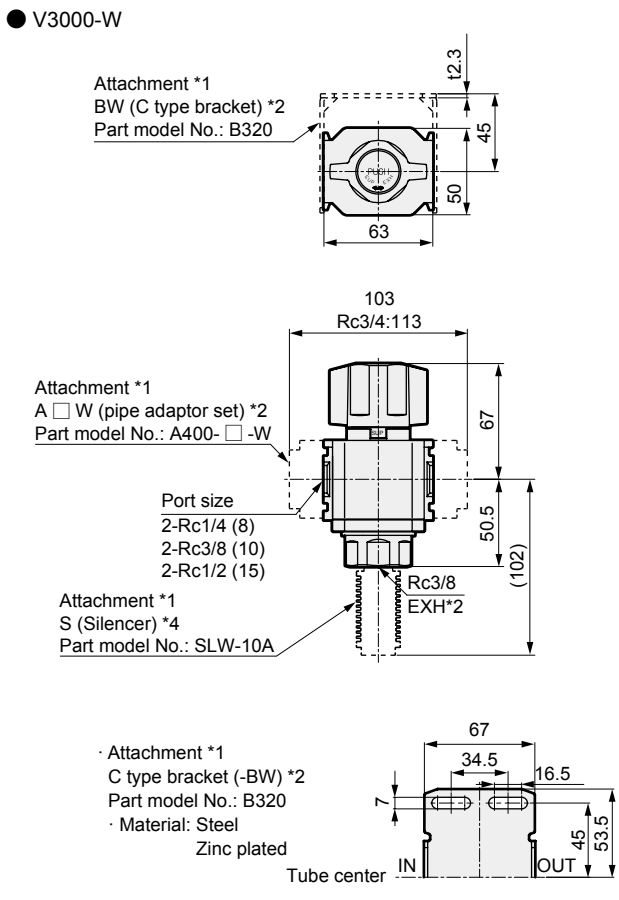
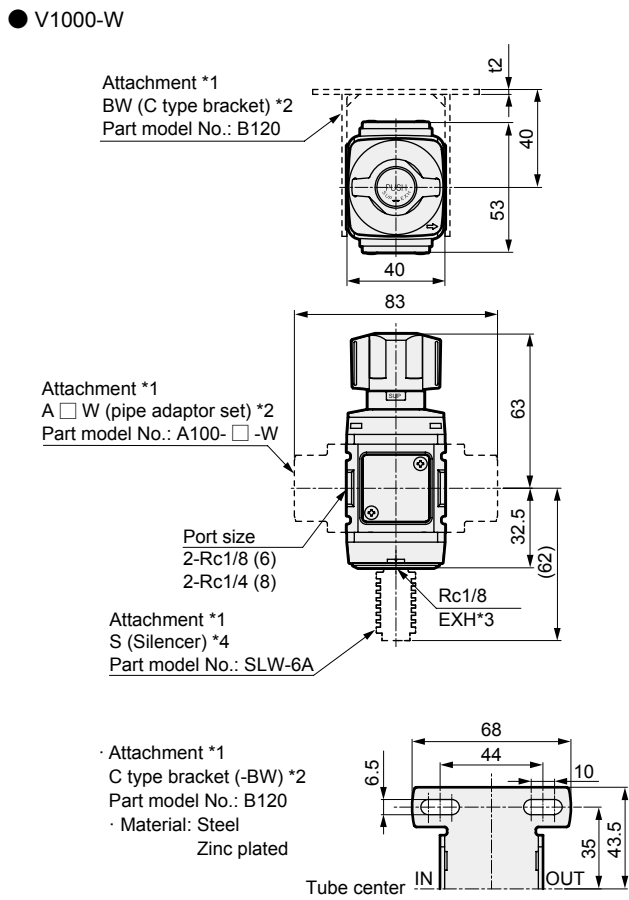
No.	Part name	Material
1	Spool	Steel
2	Body assembly	Polyamide resin, steel
3	Valve element	Copper alloy, nitrile rubber
4	Bottom plug	Polyamide resin, steel
5	Knob	Polyacetal resin
6	Packing	Nitrile rubber
7	O-ring	Nitrile rubber
8	O-ring	Nitrile rubber



No.	Part name	Material
1	Plate cover	ABS resin
2	Body	Aluminum alloy die-casting
3	Spool assembly	Aluminum alloy urethane rubber resin
4	Bottom plug	PBT resin *1
5	Knob	Polyacetal resin
6	O-ring	Nitrile rubber

*1: The metal bottom plug is used as a custom-order part.

Dimensions



*1: The attachment is attached at delivery.
 *2: The C type bracket and pipe adaptor set cannot be used together.
 *3: The EXH port is dedicated for installation of the silencer.
 *4: The silencer is made of flame-resistant resin (UL94 Standard V-0 or equivalent).
 Note that the element is not made of flame-resistant resin.

*1: The attachment is attached at delivery.
 *2: The C type bracket and pipe adaptor set cannot be used together.
 *3: The EXH port is dedicated for installation of the silencer.
 *4: The silencer is made of flame-resistant resin (UL94 Standard V-0 or equivalent).
 Note that the element is not made of flame-resistant resin.

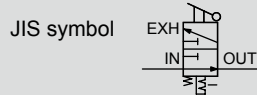


Shut-off valve with keyhole (OSHA compliant) Standard White Series

V3010-W/V6010-W Series

Ideal for preventing accidents due to residual pressure in pneumatic lines.

● Port size: 1/4 to 1



Specifications

Descriptions		V3010-8-W	V3010-10-W	V3010-15-W	V6010-20-W	V6010-25-W
Working fluid		Compressed air				
Max. working pressure MPa		1.0 (≈150 psi, 10 bar)				
Proof pressure MPa		1.5 (≈220 psi, 15 bar)				
Ambient / fluid temperatures °C		5 (41°F) to 60 (140°F)				
Operation lever switching angle		90°				
Operating force	Pushing force N	80 or less				
	Torque N·m	2.5 or less				
Valve seat leakage cm ³ /min(ANR)		10 or less				
External leakage cm ³ /min(ANR)		10 or less				
Port size (Rc, NPT, G)	IN/OUT	1/4	3/8	1/2	Rc 3/4	Rc1
	EXH	3/8			Rc1/2	
Weight kg		0.3			0.8	
Eff. X-sectional area (mm ²)	IN→OUT	40	70	85	145	150
	OUT→EXH	40	50	50	105	110

OSHA (Occupational Safety and Health Administration)

OSHA establishes the US safety standards for employees.

[Lockout/Tagout Regulation]

When serving or maintaining machinery, the air source shall be closed with a shut-off valve (residual pressure exhaust valve), and residual pressure shall be discharged. If a third party inadvertently operates the valve during such operation and compressed air is applied, the cylinder, etc., could move suddenly and injure personnel. This standard states that, "All valves used for such purposes shall have a key or a structure which can be locked with a key."

⚠ Precautions for model No. selection

*1: The pipe adaptor set and C type bracket cannot be used together.

*2: The joiner set is enclosed with the pipe adaptor set.

⚠ Select the reverse regulator (R*100-W) or reverse filter regulator (W*100-W) when installing the V*010-W onto the primary side of the regulator or filter regulator.

Option weight * Add to the weight of the standard accessories. Unit: kg

Code	Attachment							
	A8*W	A10*W	A15*W	A20*W	A25*W	A32*W	BW	S
V3010	0.16	0.16	0.16	0.16	0.16		0.17	0.015
V6010				0.53	0.53	0.53	0.34	0.02

Specifications for rechargeable battery (Catalog No. CC-1226A)

● Structure compatible with rechargeable battery manufacturing process

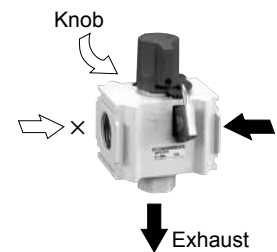
V3010 - - P4*

Usage methods

● Regular use



● During maintenance work
The component can be locked when residual pressure is released.



How to order

● Rotary actuator F.R.L.2000, 3000, 4000 series

V3010 - 8 - W - - - (A8W)

● Rotary actuator F.R.L.6000, 8000 series

V6010 - 20 - W - - - (A20W)
(White type)

A Model No.

B Port size

C Port thread

D Option

E Display unit

F Attachment

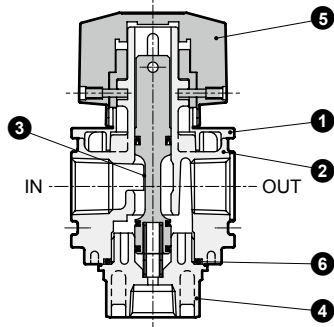
		A Model No.	V3010	V6010
Code	Content			
B Port size				
8	1/4	●		
10	3/8	●		
15	1/2	●		
20	3/4			●
25	1			●
C Port thread				
Blank	Rc thread	●	●	
N	NPT thread	●	●	
G	G thread	●	●	
D Option				
Blank	None	●	●	
X1	IN/OUT reverse flow (right → left)	●	●	
E Display unit				
Blank	MPa display, Rc thread	●	●	
J1	MPa display, NPT, G thread	●	●	
F Other attachments *1, *2				
Blank	Without attachment	●	●	
A8W	1/4 pipe adaptor set	●		
A10W	3/8 pipe adaptor set	●		
A15W	1/2 pipe adaptor set	●		
A20W	3/4 pipe adaptor set	●	●	
A25W	1 pipe adaptor set	●	●	
A32W	1 1/4 pipe adaptor set		●	
BW	C type bracket	●	●	
S	Silencer	●	●	
* Adaptor thread				
Blank	Rc thread	●	●	
N	NPT thread	●	●	
G	G thread	●	●	

V*010-W Series

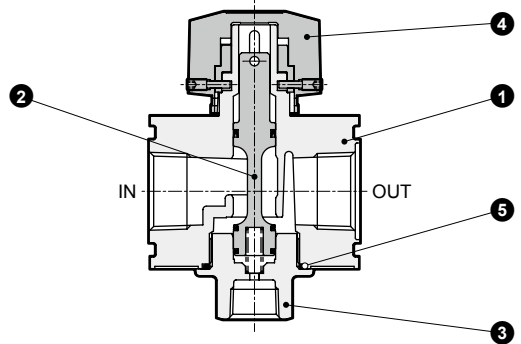
F.R.L Internal structure and parts list

- F (Filtr)
- R (Reg)
- L (Lub)
- PresSW
- Shutoff
- SlowStart
- FimResistFR
- Oil-ProhR
- MedPresFR
- No Cu/ PTFE FRL
- Outdrs FR
- F.R.L (Related)
- CompFRL
- LgFRL
- PrecsR
- VacF/R
- Clean FR
- ElecPneuR
- AirBoost
- SpdContr
- Silncr
- CheckV/ other
- Jnt/tube
- AirUnt
- PrecsCompn
- Mech/ ElecPresSw
- ContactSW
- AirSens
- PresSW Cool
- AirFloSens/ Contr
- WaterRtSens
- TotAirSys (Total Air)
- TotAirSys (Gamma)
- RefrDry
- DesicDry
- HiPolymDry
- MainFiltr
- Dischrg etc
- Ending

● V3010-W



● V6010-W

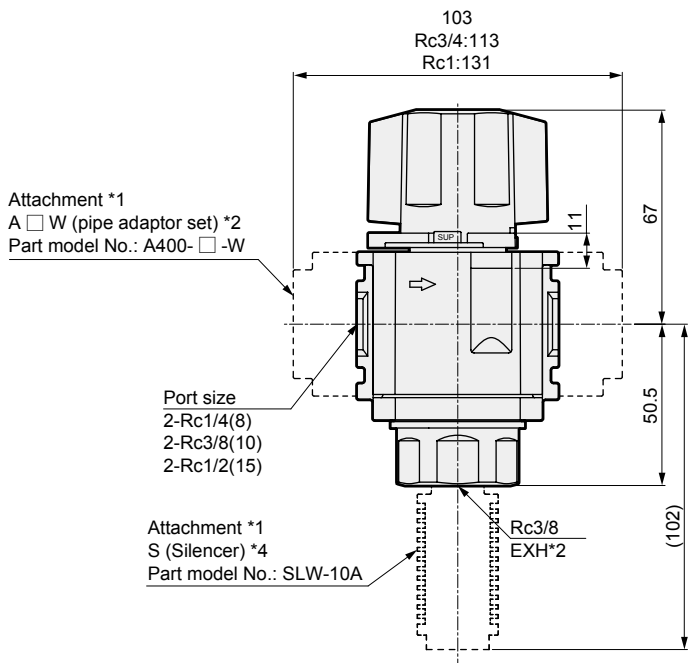
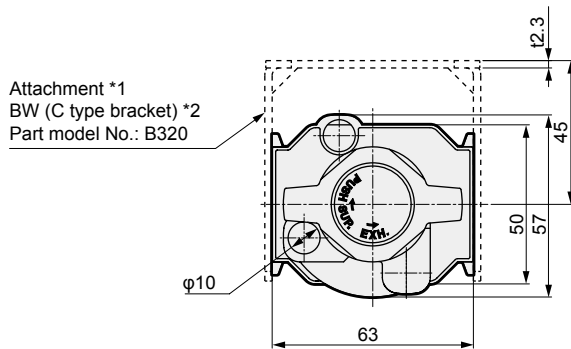


No.	Part name	Material
1	Plate cover	ABS resin (*2)
2	Body	Aluminum alloy die-casting
3	Spool assembly	Aluminum alloy urethane rubber resin
4	Bottom plug	PBT resin (*1) (*2)
5	Knob	Aluminum alloy die-casting
6	O-ring	Nitrile rubber

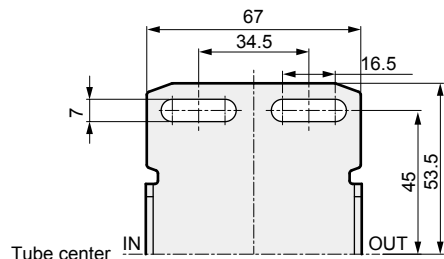
*1: The metal bottom plug is used as a custom-order part.
 *2: Flame-resistant resin equivalent to UL94 standard V-0

No.	Part name	Material
1	Body	Aluminum alloy die-casting
2	Spool assembly	Aluminum alloy, hydrogenated nitrile rubber
3	Bottom plug	Aluminum alloy die-casting
4	Knob	Aluminum alloy die-casting
5	O-ring	Nitrile rubber

Dimensions (V3010-W)

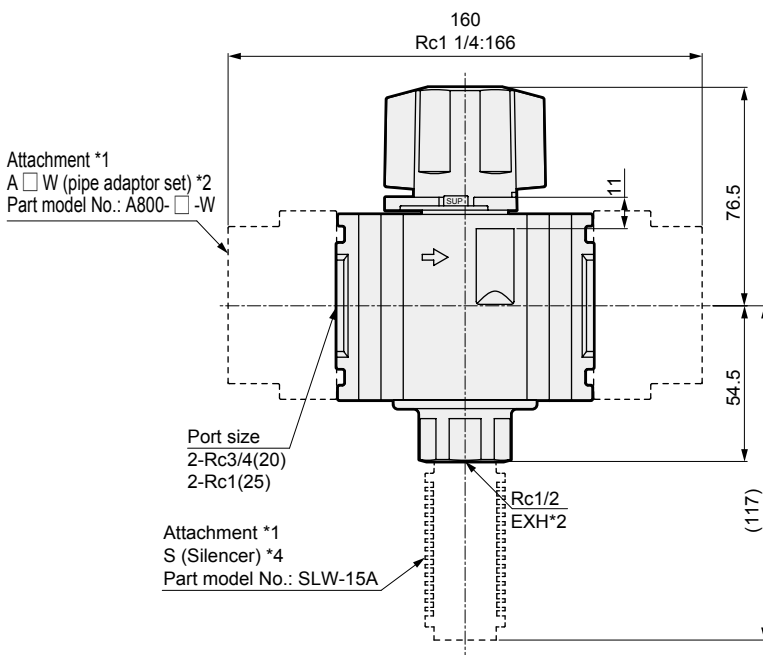
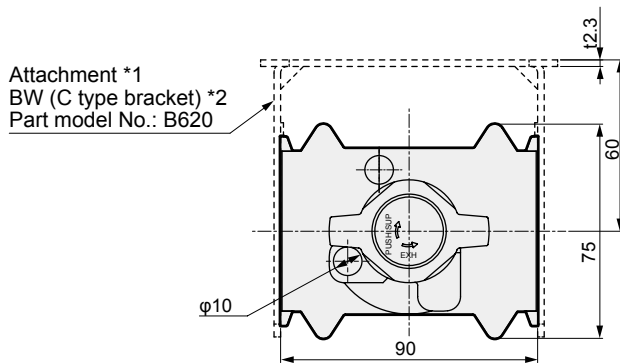


· Attachment *1
 C type bracket (-BW) *2
 Part model No.: B320
 · Material: Steel
 Zinc plated

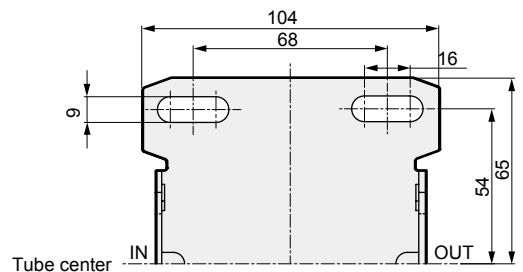


*1: The attachment is attached at delivery.
 *2: The C type bracket and pipe adaptor set cannot be used together.
 *3: The EXH port is dedicated for installation of the silencer.
 *4: The silencer is made of flame-resistant resin (UL94 Standard V-0 or equivalent).
 Note that the element is not made of flame-resistant resin.

Dimensions (V6010-W)

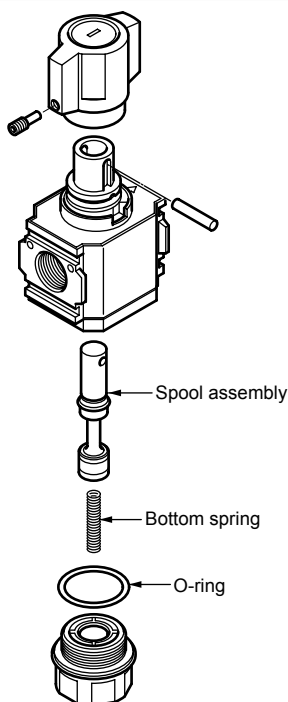


· Attachment *1
C type bracket (-BW) *2
Part model No.: B620
· Material: Steel
Zinc plated



- *1: The attachment is attached at delivery.
- *2: The C type bracket and pipe adaptor set cannot be used together.
- *3: The EXH port is dedicated for installation of the silencer.
- *4: The silencer is made of flame-resistant resin (UL94 Standard V-0 or equivalent).
Note that the element is not made of flame-resistant resin.

Shut-off valve (V3000-W, V3010-W) optional parts diagram



Spool assembly

(Set of spool assembly, bottom spring)

Model	Spool assembly model No.
V3000, V3010	V3000-SPOOL

F.R.L
F (Filtr)
R (Reg)
L (Lub)
PresSW
Shutoff
SlowStart
FimResistFR
Oil-ProhR
MedPresFR
No Cu/ PTFE FRL
Outdrs FR
F.R.L (Related)
CompFRL
LgFRL
PrecsR
VacF/R
Clean FR
ElecPneuR
AirBoost
SpdContr
Silncr
CheckV/ other
Jnt/tube
AirUnt
PrecsCompn
Mech/ ElecPresSw
ContactSW
AirSens
PresSW Cool
AirFloSens/ Contr
WaterRtSens
TotAirSys (Total Air)
TotAirSys (Gamma)
RefrDry
DesicDry
HiPolymDry
MainFiltr
Dischrg etc
Ending