

Blocking valves Series VBO - VBU

Unidirectional and bidirectional
Ports G1/8, G1/4, G3/8 and G1/2



These unidirectional and bidirectional blocking valves have been realised in order to enable mounting directly on cylinders.

The inner design of the blocking valves Series VBO and VBU allows a very high flow rate and reliable operation.

GENERAL DATA

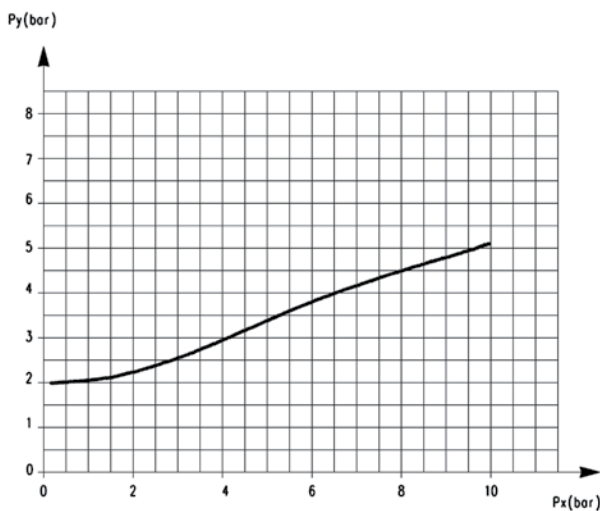
Construction	poppet type
Valve group	unidirectional and bidirectional blocking valve
Materials	OT58 - NBR seals
Mounting	by male thread
Ports	G1/8 - G1/4 - G3/8 - G1/2
Position	in any position
Operating temperature	0°C + 80°C (with dry air -20°C)
Operating pressure	VBU: 0,3 + 10 bar, VBO: 0 + 10 bar
Nominal pressure	6 bar
Nominal flow	see graph
Nominal diam.	G1/8 ø 5,5 mm - G1/4 ø 8 mm - G3/8 ø 11 mm - G1/2 ø 15 mm
Fluid	filtered air, without lubricant in the event that lubricated air is used, it is recommended to use oil ISO VG32. Once applied, the lubrication should never be interrupted.

CODING EXAMPLE

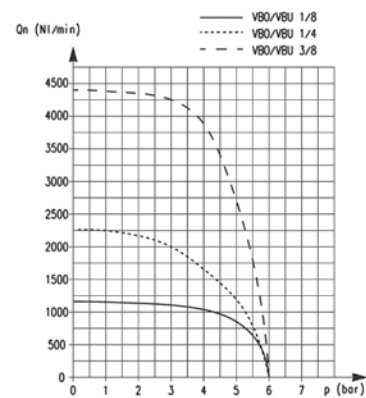
VB	U	1/8
----	---	-----

VBSERIES:
VB**U**VERSIONS:
U = unidirectional
O = bidirectional**1/8**PORTS:
1/8
1/4
3/8
1/2

UNIDIRECTIONAL AND BIDIRECTIONAL BLOCKING VALVES



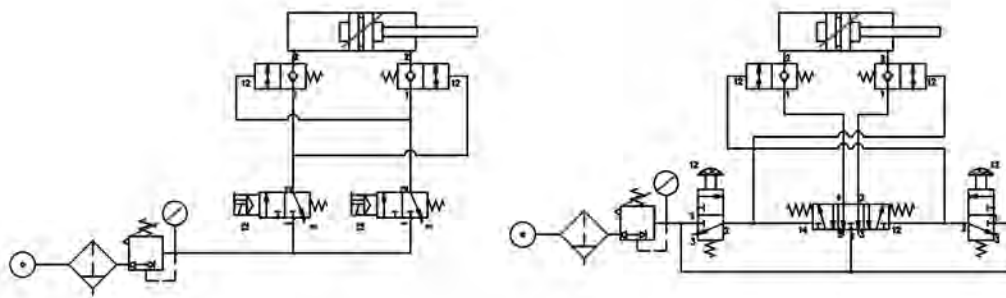
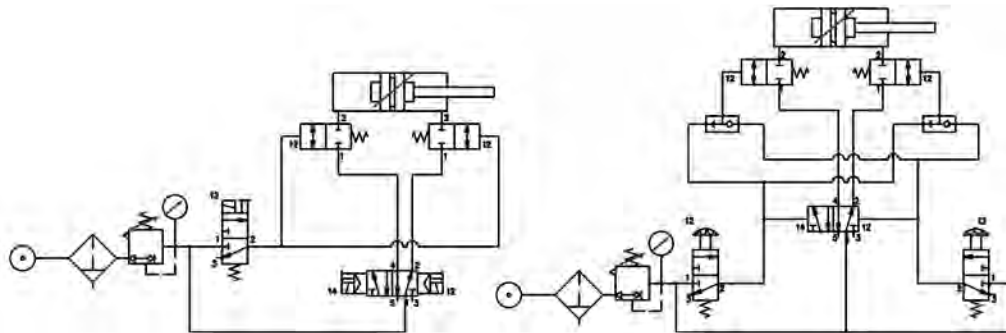
PILOT PRESSURE: This diagram shows the relation between working pressure (P_x) and pilot pressure required in order to operate the valve (P_y).
The opening pressure of the unidirectional valve is 0,3 bar.



FLOW RATE
Flow Q (NI/min.)
N.B.: Q is determined with an inlet pressure of 6 bar.

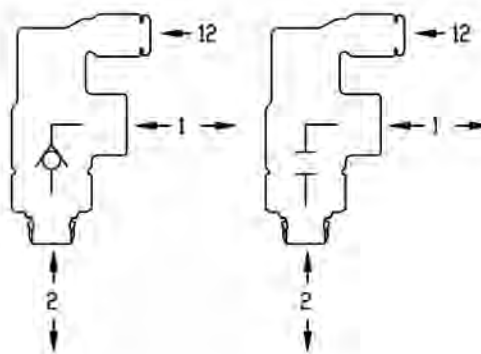
APPLICATION SCHEMES

VBU = UNIDIRECTIONAL blocking valve
 VBO = BIDIRECTIONAL blocking valve

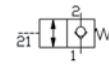
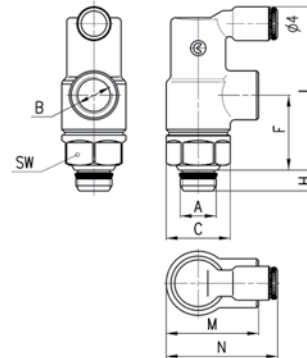


VBU

VBO

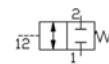
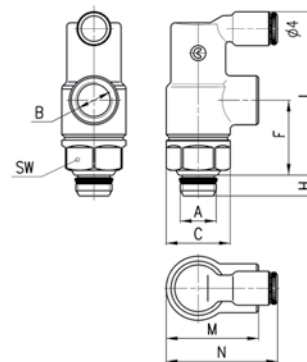


Unidirectional blocking valve



DIMENSIONS									
Mod.	A	B	C	F	H	L	M	N	SW
VBU 1/8	1/8	1/8	16,9	20	5,5	43	24,5	30	15
VBU 1/4	1/4	1/4	20,5	25	7	50	32,2	33,5	19
VBU 3/8	3/8	3/8	26,8	33	8	67	40	39,5	24
VBU 1/2	1/2	1/2	30	45,5	9	85,7	48	52	27

Bidirectional blocking valve



DIMENSIONS									
Mod.	A	B	C	F	H	L	M	N	SW
VBO 1/8	1/8	1/8	16,9	20	5,5	43	24,5	30	15
VBO 1/4	1/4	1/4	20,5	25	7	50	32,2	33,5	19
VBO 3/8	3/8	3/8	26,8	33	8	67	40	39,5	24
VBO 1/2	1/2	1/2	30	45,5	9	85,7	48	52	27