

JIECANG

LINEAR MOTION



CONTENT

LINEAR ACTUATORS



JC35D	08
JC35DF	10
JC35L	12
JC35W	14

DUAL MOTOR



JC35S	16
-------	----

COLUMNS



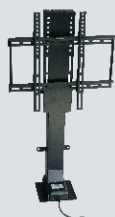
JC35EF	18
JC35EG-3	20
JC35ER-2	22
JC35ER-3	24
JC35ES-2	26
JC35ES-3	28

ADJUSTABLE TABLES



JC35TA	30
JC35TS	32
JC35TD	34

TV LIFTS



JC35VT	36
--------	----

CONTENT

CONTROL BOXES



JCR35	38
JCB35E	39
JCB35G	40
JCB35J	41
JCJ35	42
JCJ35D	43

HAND/FOOT CONTROLS



JCHB35 / JCHC35	44
JCHE35 / JCHJ35 / JCHL35	45
JCHQ35 / JCHS35 / JCHX35	46
JCHM35 / JCHT35 / JCHT35J / JCHT35H	47
JCF35 / JCFS35	48
JCHI35 / JCHN35A	49
JCHR35B / JCHR35C / JCHR35D / JCHR35E	50

ACCESSORIES



MAIN-CUT JCP35A / SMPS JCP35PA-50 / JCP35PA-40	51
NIGHT LIGHT JCP35E-LED / CONNECTION BOX JCP35Z	52
SIDERAIL JCP35H03 / HEADBOARD JCP35J01	53

ADDITIONAL INFORMATION

 54

OVERVIEW



Jiecang is the leading Chinese manufacturer of Linear Actuators with the priority of quality and innovation. Since the founding of our company in 2000, JIECANG have gained a reputation for the linear actuator systems in the sectors of Medical, Office, Furniture and other industry markets. In 2000, JIECANG supplied the linear actuator systems for hospital beds. In 2005, JIECANG developed the lifting systems for office tables and actuator systems for furniture market. In 2008, JIECANG launched the first actuator for industry market. Now, most of the JIECANG actuators are approved as the safety and good quality products all over the worlds.



Jiecang control virtually all production process in house, from injection moulding, machining and soldering, through to final assembly. Each product is tested 100% before shipment.

OVERVIEW

Jiechang has setup a Global distribution network, providing their customers with regional support worldwide



ISO9001:2008

ISO14001:2004

Jiechang is certified to ISO9001:2008, ISO14001:2004 and CE, UL and RoHS approved.



Jiechang is a leading innovator in linear motion technology and electronic control, achieved through continuous new product development for existing and new customers alike.

OVERVIEW

According to the applications, JIECANG linear actuator systems can serve for the following four lines.



Medical Line



Office Line



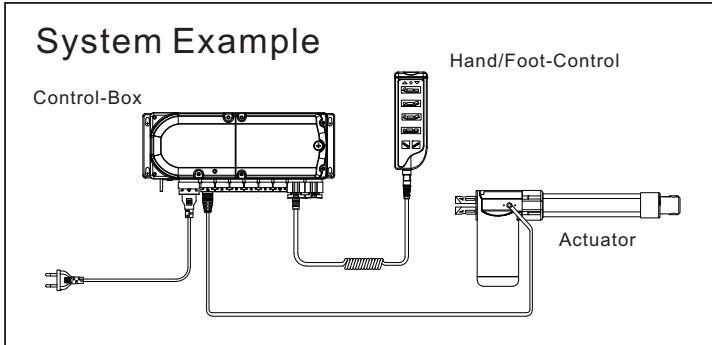
Furniture Line



Industry Line

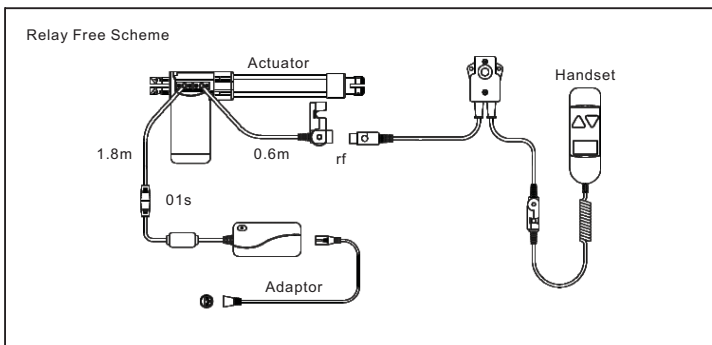
OVERVIEW

Linear Actuators/Columns are easy to apply, quick to install and require no maintenance. Our wide variety of options, Control-Boxes and Hand/Foot-Controls makes it easy to find the perfect solution for your application. You can see the system example on the picture below.



GENERAL INFORMATION

- **Cables:**
 - 1.5 m straight are standard used for Linear Actuators/Columns.
 - 3 m straight are standard used for Control boxes.
 - 1 m coiled (stretched 4 m) are used for hand/Foot-Controls (if there is no special described in the catalogue).
 - Colors are Black or Grey according to the unit connected.
- **Hall sensor:** For precise and controlled movements, actuators can be equipped with Hall Sensors - perfectly suited for synchronized movement or position memory. An appropriate Control Box needs to be used.
- **Reed switch:** An economic solution for controlled movement and position memory are actuators equipped with a Reed Switch. An appropriate Control Box needs to be used.
- **Only push no pull:** For safety (for example to protect the fingers..), the actuator can apply force in one direction only - it can push the load. But when the actuator moves back, it will not pull the load. The load will retract the actuator by its weight ("only push no pull" function).
- **Brake spring:** According to the application, sometimes are required higher static loads. Our actuators can be equipped with a one-direction Spring Break (either for push or pull) to increase the static loads even more. For more details, please contact us or our partner.
- **Over load protection in control box:** The overload protection is integrated inside of our Control Boxes. Therefore we highly recommend to use all system components from Jiecang (Actuators, Control Box, Hand Control).
 - please specify the different protections (single, combined, PTC) in the section of Control Boxes
- **Relay free version:** Sometimes our customers have applications, which are extremely demanding for space. We have an extra-compact system for these applications as well. The Relay Free System uses a special Hand Control for high current and actuator with both plugs for 24VDC and Hand Control. Recommended is to use our SMPS (Switch Mode Power Supply) JCP35PA (see page 53).



LINEAR ACTUATORS

JC35D

FEATURES

- basic and economic design
- up to 6000N load capacity
- direct mounting on Control Box possibility



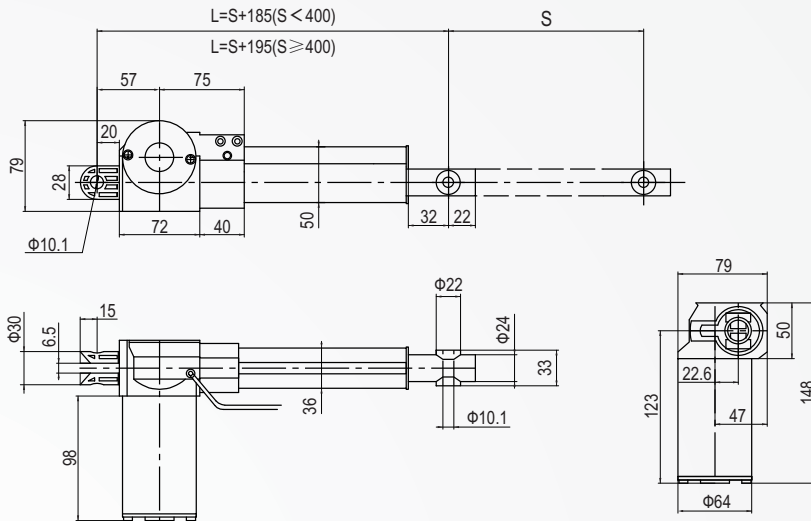
● SPECIFICATIONS

Dynamic Load Push (N)	6000	4000	3000	2000	750
Dynamic Load Pull (N)	4000	4000	3000	2000	750
Static Load push * (N)	6000	4000	3000	2000	750
Static Load pull * (N)	4000	4000	3000	2000	750
Input (VDC)	24				
Speed at Full Load (mm/s)	3	4	6	12	22
Input (VDC)	12				
Speed at Full Load (mm/s)	2.6	3.5	5	9	18
Stroke Length	100~400mm (option >400mm)				
Mounting position	H type, V type and 45 degree type (see page 55)				
Colour	Black or Grey				
Limit Switch	Build-in				
Overload Protection	integrated in appropriate Control-Box				
Duty Cycle	10%, max 2min. continuous use				
Inner Tube	Aluminum Tube				
End clevis	Zinc-alloy				
IP Grade	IP43				
Operating Temperature	+5°C ~ +40°C				
Standard	CE / UL				
Optional Features	Hall sensor option (type JC35DY)				
	Reed switch option (type JC35DR)				
	Only push option (type JC35DP)				
	Relay free option (see page 07)				

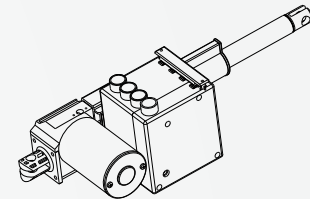
* The values apply when appropriate Jiechang Control Box is used, which short-circuits the motor during stop.

LINEAR ACTUATORS

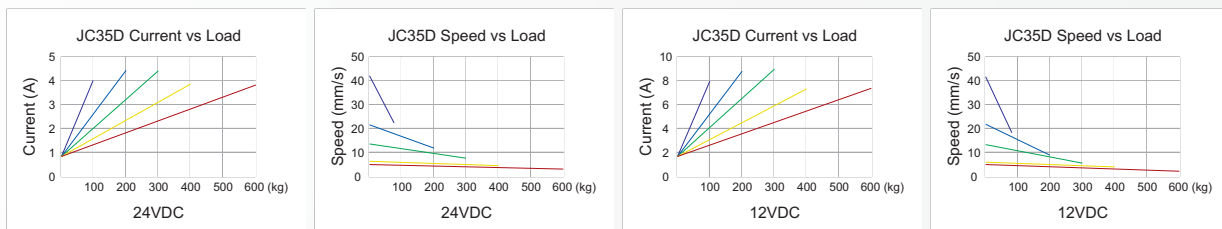
DIMENSIONS



JC35D mounted with JCJ35D control box

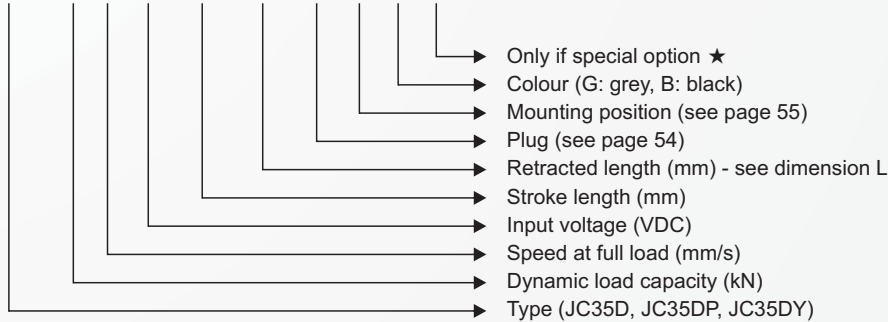


PERFORMANCE



ORDER KEY EXAMPLE

JC35D - 6 - 3 - 24 - 100 - 285 - 4s - H - G - X



- ★ B1 brake for push
- B2 brake for pull
- RF relay free version (see page 07)

LINEAR ACTUATORS

JC35DF

FEATURES

- Strong and robust design
- Low noise, IP66
- Ideal for medical, furniture and industry applications



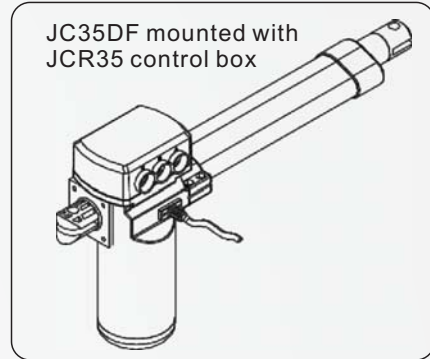
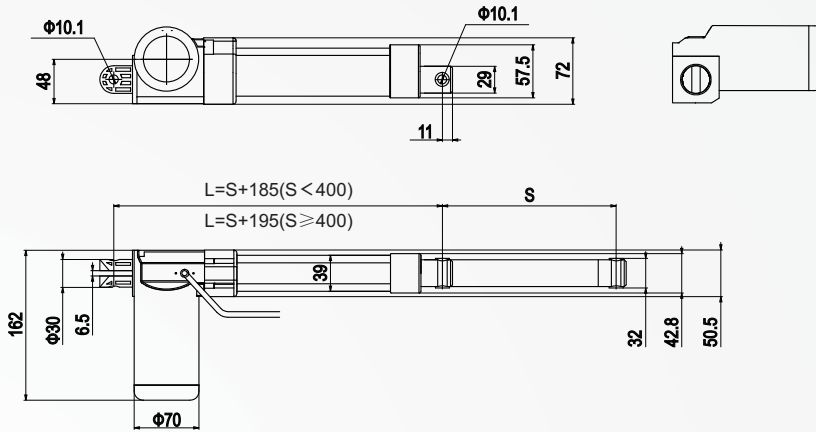
● SPECIFICATIONS

Dynamic Load Push (N)	6000	4000	3000	2000	750
Dynamic Load Pull (N)	4000	4000	3000	2000	750
Static Load Push * (N)	6000	4000	3000	2000	750
Static Load Pull * (N)	4000	4000	3000	2000	750
Input (VDC)	24				
Speed at Full Load (mm/s)	3.5	4.5	8	12	22
Input (VDC)	12				
Speed at Full Load (mm/s)	3	4	5	9	18
Stroke Length (mm)	100~400 (option >400)				
Mounting Position	H type, V type and 45 degree type (see page 55)				
Colour	Black or Grey				
Limit Switch	Build-in				
Overload Protection	Integrated in appropriate Control-Box				
Duty Cycle	10%, max 2min. continuous use				
Inner Tube	Aluminum Tube				
End clevis	Zinc-alloy				
IP Grade	IP66				
Operating Temperature	+5°C ~ +40°C				
Standard	UL60601-1 / EN60601-1				
Optional Features	Hall sensor option (type JC35DFY)				
	Reed switch option (type JC35DFR)				
	Push-Only option (type JC35DFP)				
	Relay free option (see page 07)				

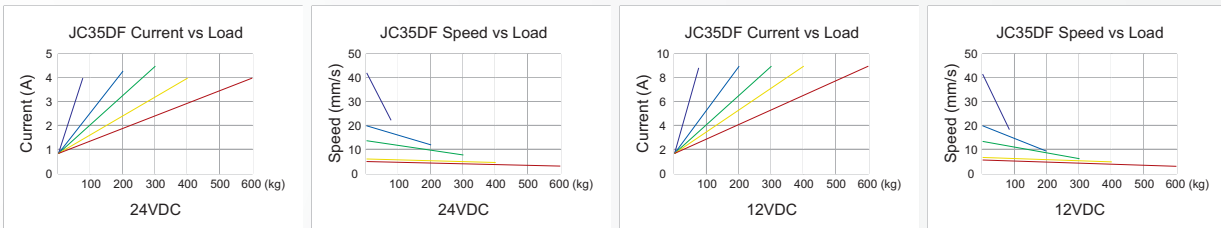
* The values apply when appropriate Jiecang Control Box is used, which short-circuits the motor during stop.

LINEAR ACTUATORS

DIMENSIONS

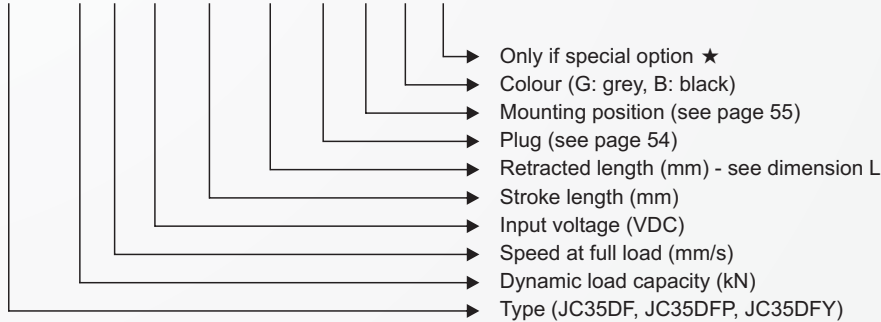


PERFORMANCE



ORDER KEY EXAMPLE

JC35DF - 6 - 3 - 24 - 100 - 285 - 4s - H - G - X



- ★ B1 brake for push
- B2 brake for pull
- RF relay free version (see page 07)

LINEAR ACTUATORS

JC35L

FEATURES

- The track actuator with nut moving outside on the profile
- The mounting dimension is fixed according to the stroke
- Ideal for reclining chairs and TV Lift applications



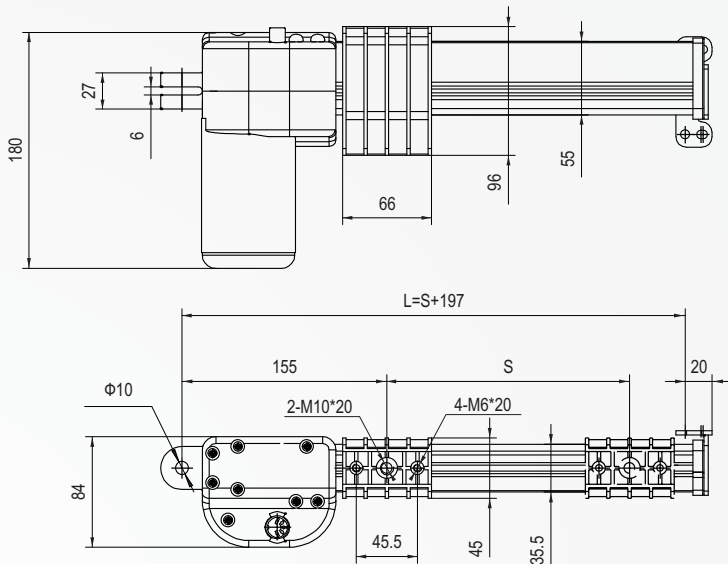
SPECIFICATIONS

Dynamic Load Push (N)	4000	2000	750
Dynamic Load Pull (N)	4000	2000	750
Static Load * (N)	4000	2000	750
Speed at Full Load (mm/s)	4.5	12	22
Input (VDC)	24		
Stroke Length (mm)	100~400 (option >400)		
Mounting position	H type		
Colour	Black		
Limit Switch	Build-in		
Overload Protection	Integrated in appropriate Control-Box		
Duty Cycle	10%, max 2min. continuous use		
Guide Tube	Aluminum Tube		
End clevis	Plastic		
IP Grade	IP20		
Operating Temperature	+5°C ~ +40°C		
Standard	CE		
Optional Features	Hall sensor option (type JC35LY)		
	Relay free option (see page 07)		

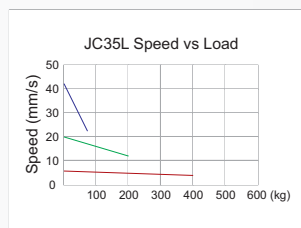
* The values apply when appropriate Jiecang Control Box is used, which short-circuits the motor during stop.

LINEAR ACTUATORS

DIMENSIONS

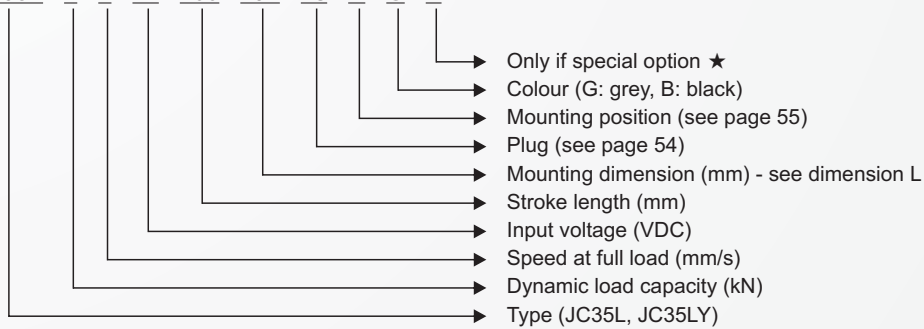


PERFORMANCE



ORDER KEY EXAMPLE

JC35L - 4 - 4 - 24 - 100 - 297 - 4s - H - G - X



- ★ B1 brake for push
- B2 brake for pull
- RF relay free version (see page 07)

LINEAR ACTUATORS

JC35W

FEATURES

- Compact size
- High duty cycle with IP54
- Universal for applications:
industrial and agriculture machines,
ventilation systems and many more

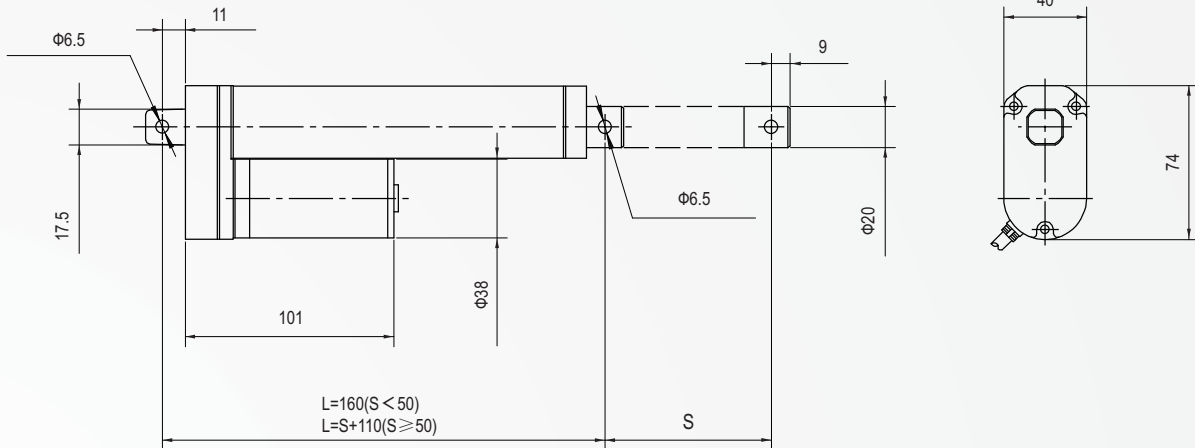


● SPECIFICATIONS

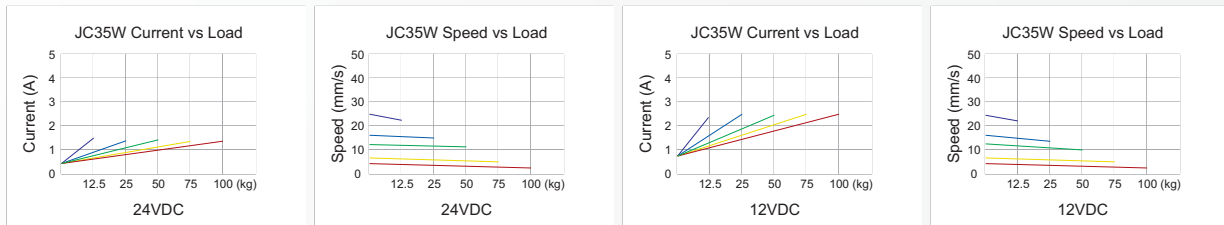
Dynamic Load Push	(N)	125	250	500	750	1000
Dynamic Load Pull	(N)	125	250	500	750	1000
Static Load Push	(N)	150	300	600	900	1200
Static Load Pull	(N)	150	300	600	900	1200
Input	(VDC)	24				
Speed at Full Load	(mm/s)	22	15	11	6	4
Input	(VDC)	12				
Speed at Full Load	(mm/s)	22	14	10	6	3.5
Stroke Length	(mm)	100~400 (option >400)				
Mounting Position		V type (see page 55)				
Colour		Black				
Limit Switch		Build-in				
Overload Protection		integrated in appropriate Control-Box				
Duty Cycle		25%, max 5min. continuous use				
Inner Tube		Aluminum tube				
End clevis		Zinc-alloy				
IP Grade		IP54				
Operating Temperature		0°C~40°C				
Standard		CE				
Screw		ACME screw				

LINEAR ACTUATORS

DIMENSIONS

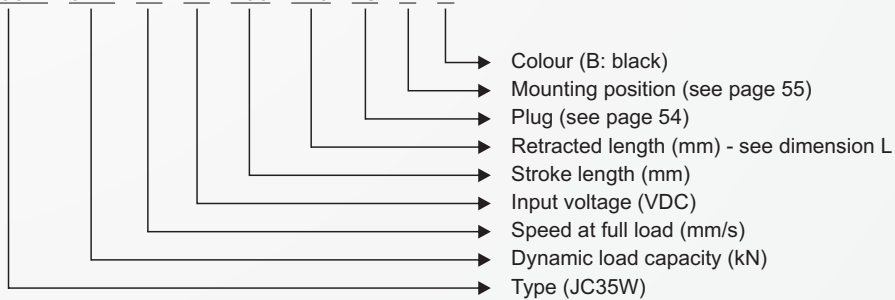


PERFORMANCE



ORDER KEY EXAMPLE

JC35W - 0.12 - 22 - 24 - 100 - 210 - 4s - H - B



DUAL MOTOR

JC35S

FEATURES

- Strong and robust design
- 2x 6000N with additional out puts
- RF remote or Wired hand control option

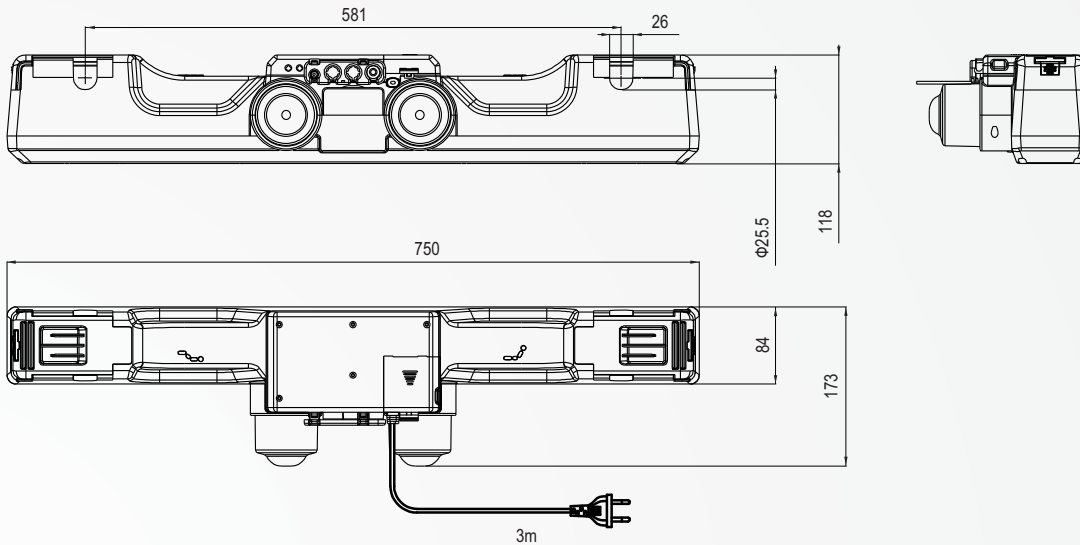


● SPECIFICATIONS

Dynamic Load push	(N)	6000×2
Static Load push	(N)	6000×2
Backrest stroke	(mm)	max 87 (option)
Footrest stroke	(mm)	max 87 (option)
Main input voltage	(VAC)	110/230 (option)
Standby power consumption		SMPS or Main-cut (option), less than 0.5W
Colour		Black or Grey
Mounting position		581 + -3mm
Limit Switch		Built-in
Overload Protection		PTC
Duty Cycle		10%, max, 2min. continuous use
IP Grade		IPX4
Operation Temperature		5°C ~ 40°C
Standard		EN60601-1, CE
Emergency lowering		By means of connecting 2 x 9V batteries not included
Optional Features		Control 2 additional single actuators with 4sd plug (type JC35S-2) Control 2 massage motors (type JC35S-3)

DUAL MOTOR

DIMENSIONS

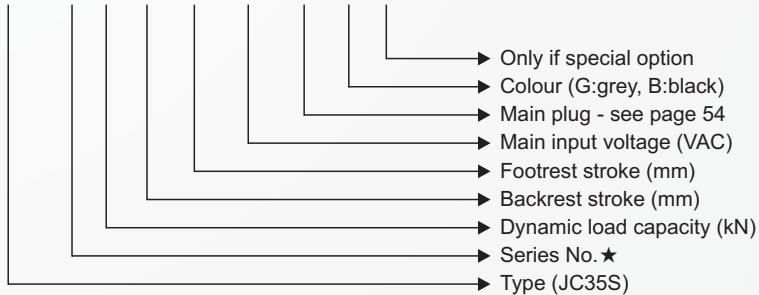


PERFORMANCE



ORDER KEY EXAMPLE

JC35S - 1 - 6 - 75 - 50 - 230 - EF - B - X



★

1 Standard

2 with 2 actuators output function

3 with 2 massage motors output function

LIFTING COLUMNS

JC35EF

FEATURES

- JC35EF column is designed for a wide range of workstation applications, like computer workstations, work benches, assembly desks, kitchens
- With the Hall sensors built-in, JC35EF can be operated either as single column or several columns in synchronized movement by choosing a control box with micro-processor



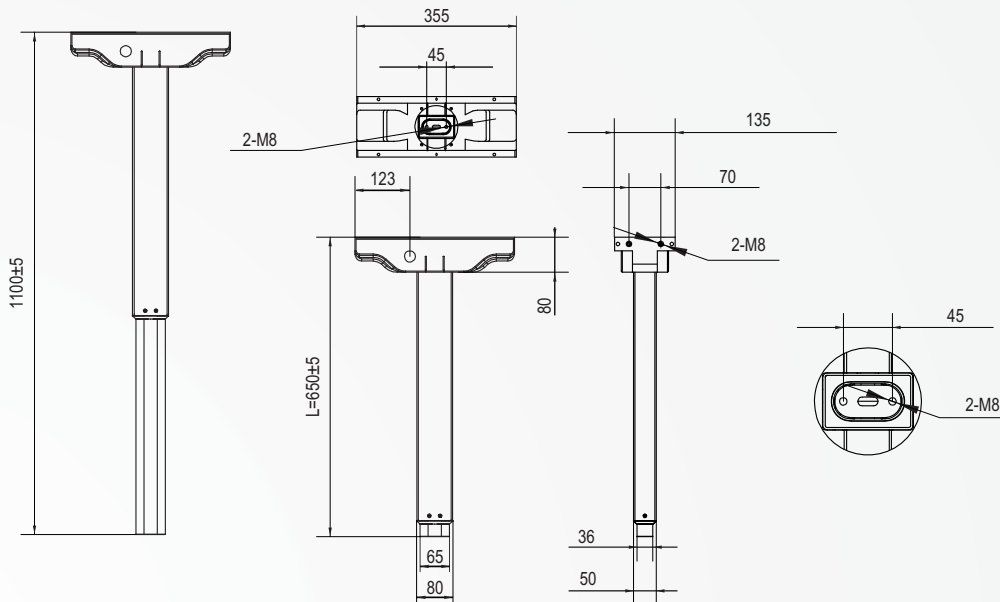
● SPECIFICATIONS

Dynamic Load Push (N)	800	1500
Dynamic Load Pull (N)	800	1500
Static Load Push * (N)	800	1500
Static Load Pull * (N)	800	1500
Speed at Full Load (mm/s)	20	10
Input (VDC)	24	
Stroke Length (mm)	450	
Colour	Black or Grey	
Mounting	By screws directly	
Overload Protection	Integrated in appropriate Control-Box	
Limit Switch	No limit switch (Hall sensors feedback the position)	
Duty Cycle	10%, max, 2min. continuous use	
Tube Material	Steel	
IP Grade	IP43	
Operating Temperature	+5°C ~+40°C	
Standard	CE	

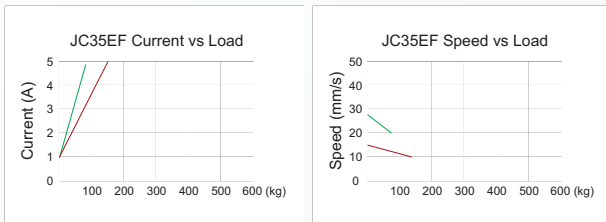
* The values apply when appropriate Jiecang Control Box is used, which short-circuits the motor during stop.

LIFTING COLUMNS

DIMENSIONS

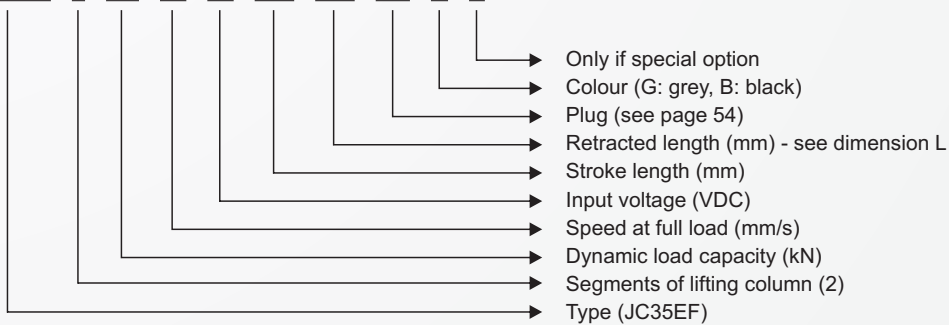


PERFORMANCE



ORDER KEY EXAMPLE

JC35EF - 2 - 0.8 - 20 - 24 - 450 - 650 - 6m - B - X



LIFTING COLUMNS

JC35EG-3

FEATURES

- With strong 3 steel tubes overlapped, the JC35EG-3 column is stable and strong enough for hospital and care beds
- With the Hall sensors built-in, JC35EG-3 columns, together with the JIECANG intelligent control box, handset, foot switch, nurse controller, siderail and other actuators, you can get a complete ICU bed movement system
- EN60601-1/UL60601-1 approval



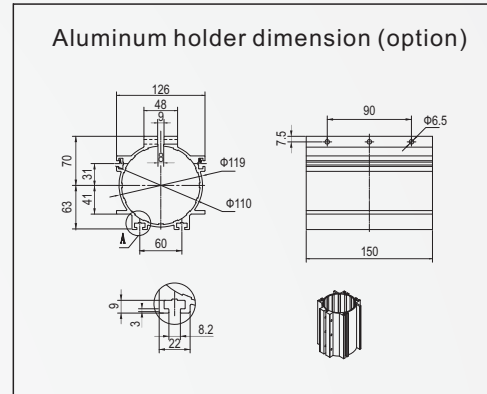
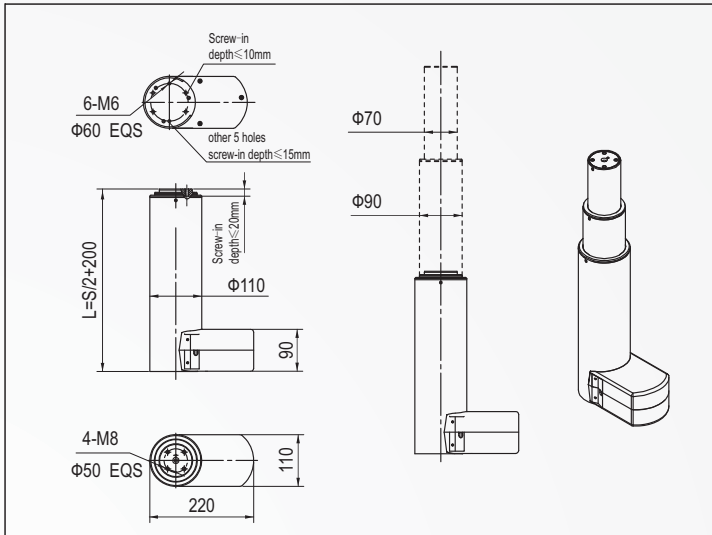
● SPECIFICATIONS

Dynamic Load push (N)	max. 2000 N as central load max. 1000 N at 400 mm lever arm length
Static Load * (N)	2000
Speed at Full Load (mm/s)	10
Input (VDC)	24
Stroke Length (mm)	400 (option)
Colour	Grey
Mounting	By screws on bottom plate or aluminum holder
Overload Protection	Integrated in appropriate Control-Box
Limit Switch	Build-in
Duty Cycle	10%, max, 2min. continuous use
Tube Material	Powder Painted Steel Tube
IP Grade	IP54
Operation Temperature	+5°C ~ 40°C
Standard	EN 60601, UL60601
Optional Feature	Hall sensor option (type JC35EGY)

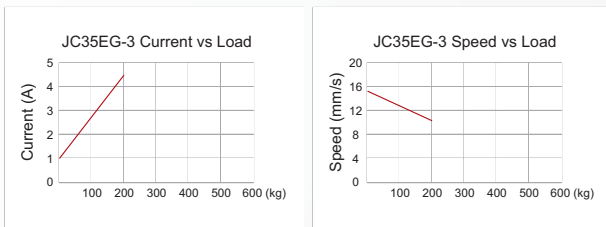
* The values apply when appropriate Jiechang Control Box is used, which short-circuits the motor during stop.

LIFTING COLUMNS

DIMENSIONS

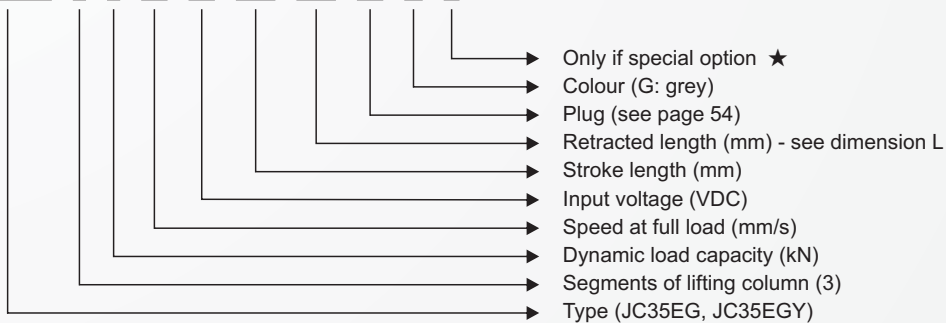


PERFORMANCE



ORDER KEY EXAMPLE

JC35EG - 3 - 2 - 10 - 24 - 400 - 400 - 6s - G - X



★ M1 mounted with holder accessory

LIFTING COLUMNS

JC35ER-2

FEATURES

- JC35ER-2 column is designed for a wide range of workstation applications, like computer workstations, work benches, assembly desks, kitchens and monitor lift
- With the Hall sensors built-in, JC35ER-2 can be operated either as single column or several columns in synchronized movement by choosing a control box with micro-processor



● SPECIFICATIONS

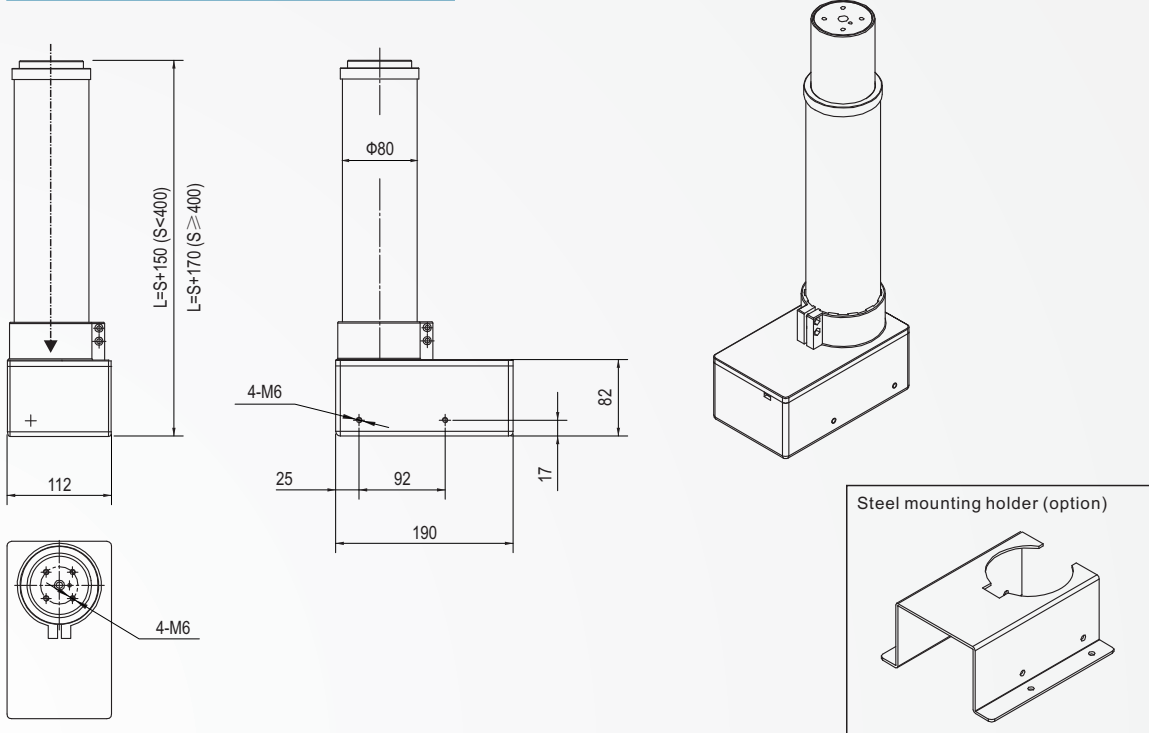
Dynamic Load Push (N)	4000	2000
Dynamic Load Pull (N)	4000	2000
Static Load Push * (N)	4000	2000
Static Load Pull * (N)	4000	2000
Input (VDC)	24	
Speed at Full Load (mm/s)	4	7
Input (VDC)	12	
Speed at Full Load (mm/s)	3.5	5
Stroke Length (mm)	100~400 (option >400)	
Colour	Black or Grey	
Mounting	By screws on the side directly or by holder (option)	
Overload Protection	Integrated in appropriate Control-Box	
Limit Switch	Build-in	
Duty Cycle	10%, max, 2min. continuous use	
Tube Material	Aluminum tube	
IP Grade	IP43	
Operation Temperature	+5°C ~+40°C	
Standard	UL60601-1 / CE	
Optional Feature	Hall sensors option (type JC35ERY)	

* The values apply when appropriate Jiechang Control Box is used, which short-circuits the motor during stop.

△ JC35ER-2 can be mounted upside down on the ceiling.
For safety, the max load should not be more than 50kgs.

LIFTING COLUMNS

DIMENSIONS

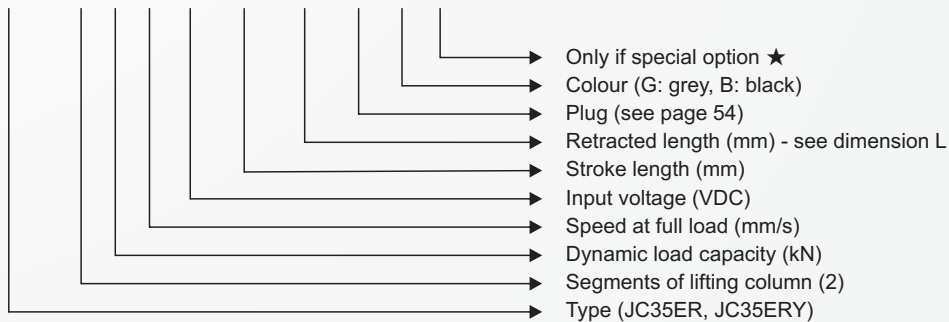


PERFORMANCE



ORDER KEY EXAMPLE

JC35ER - 2 - 2 - 7 - 24 - 300 - 450 - 4s - G - X



★ M1 mounted with holder accessory

LIFTING COLUMNS

JC35ER-3

FEATURES

- JC35ER-3 column is designed for a wide range of workstation applications, like computer workstations, work benches, assembly desks, kitchens or TV lift
- 3 segment columns have smaller installation dimensions and higher speed
- With the Hall sensors built-in, JC35ER-3 can be operated either as single column or several columns in synchronized movement by choosing a control box with micro-processor



● SPECIFICATIONS

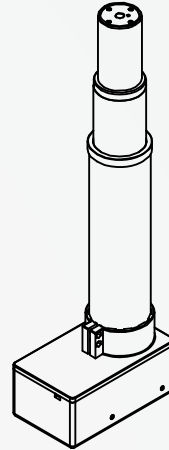
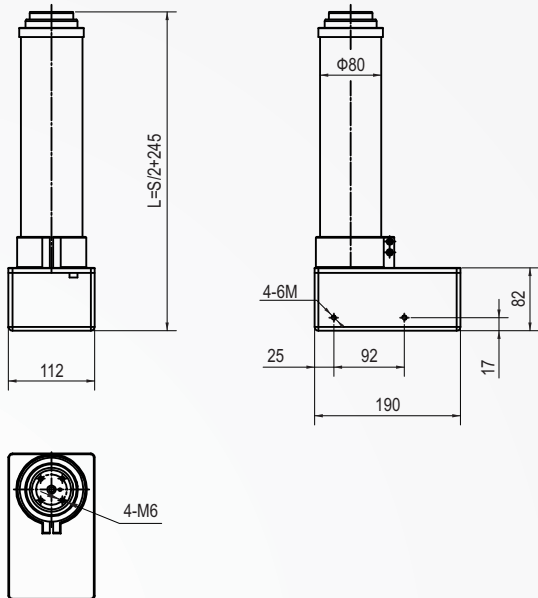
Dynamic Load Push	(N)	1500
Dynamic Load Pull	(N)	1500
Static Load Push *	(N)	1500
Static Load Pull *	(N)	1500
Input	(VDC)	24
Speed at Full Load	(mm/s)	10
Input	(VDC)	12
Speed at Full Load	(mm/s)	8
Stroke Length	(mm)	100~400 (option >400)
Colour		Black or Grey
Mounting		By screws on the side directly or by holder (option)
Overload Protection		Integrated in appropriate Control-Box
Limit Switch		Build-in
Duty Cycle		10%, max, 2min. continuous use
Tube Material		Aluminum tube
IP Grade		IP43
Operation Temperature		+5°C ~ +40°C
Standard		UL60601-1 / CE
Optional Feature		Hall sensors option (type JC35ERY)

* The values apply when appropriate Jiechang Control Box is used, which short-circuits the motor during stop.

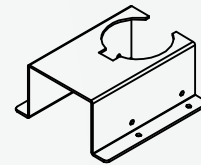
⚠ JC35ER-3 can be mounted upside down on the ceiling.
For safety, the max load should not be more than 50kgs.

LIFTING COLUMNS

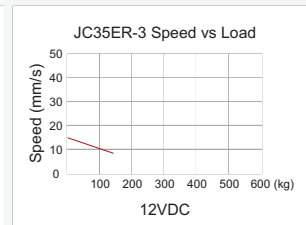
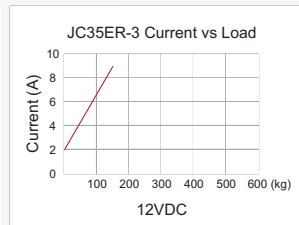
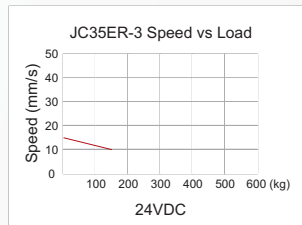
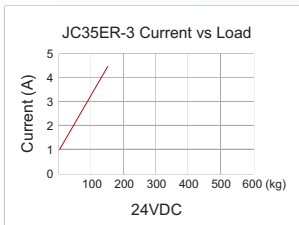
DIMENSIONS



Steel mounting holder (option)

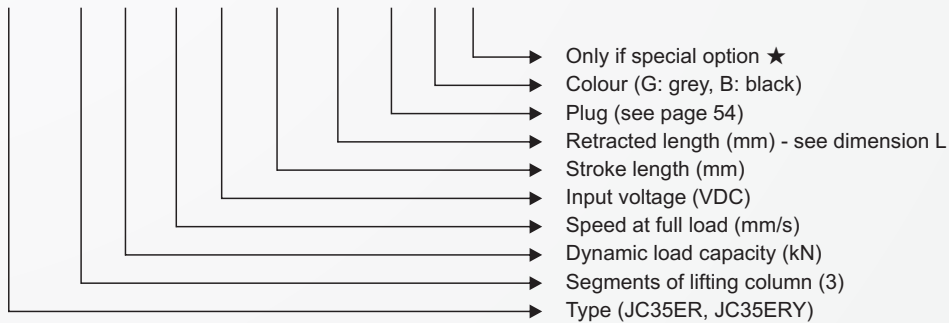


PERFORMANCE



ORDER KEY EXAMPLE

JC35ER - 3 - 1.5 - 20 - 24 - 400 - 445 - 4s - G - X



★
M1 mounted with holder accessory

LIFTING COLUMNS

JC35ES-2

FEATURES

- JC35ES-2 column is designed for a wide range of workstation applications, like computer workstations, work benches, assembly desks or kitchens
- With the Hall sensors built-in, JC35ES-2 can be operated either as single column or several columns in synchronized movement by choosing a control box with micro-processor



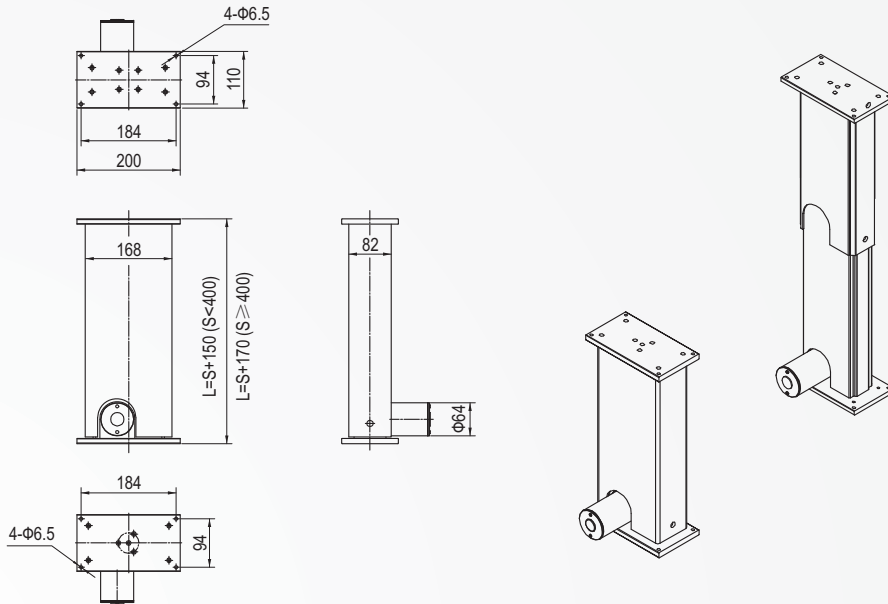
● SPECIFICATIONS

Dynamic Load Push (N)	4000	2000
Dynamic Load Pull (N)	4000	2000
Static Load Push * (N)	4000	2000
Static Load Pull * (N)	4000	2000
Input (VDC)	24	
Speed at Full Load (mm/s)	4	7
Input (VDC)	12	
Speed at Full Load (mm/s)	3.5	5
Stroke Length (mm)	100~400 (option >400)	
Colour	Black or Grey	
Mounting	By screws on the top and bottom plate (option)	
Overload Protection	Integrated in appropriate Control-Box	
Limit Switch	Build-in	
Duty Cycle	10%, max, 2min. continuous use	
Tube Material	Aluminum tube	
IP Grade	IP43	
Operation Temperature	+5°C ~ +40°C	
Standard	UL60601-1 / CE	
Optional Feature	Hall sensors option (type JC35ESY)	

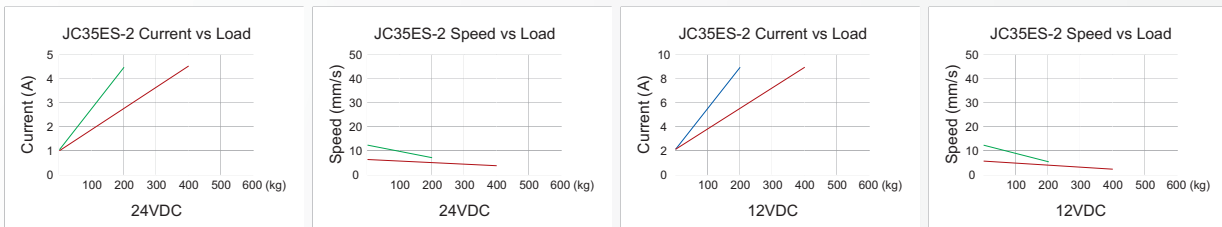
* The values apply when appropriate Jiechang Control Box is used, which short-circuits the motor during stop.

LIFTING COLUMNS

DIMENSIONS

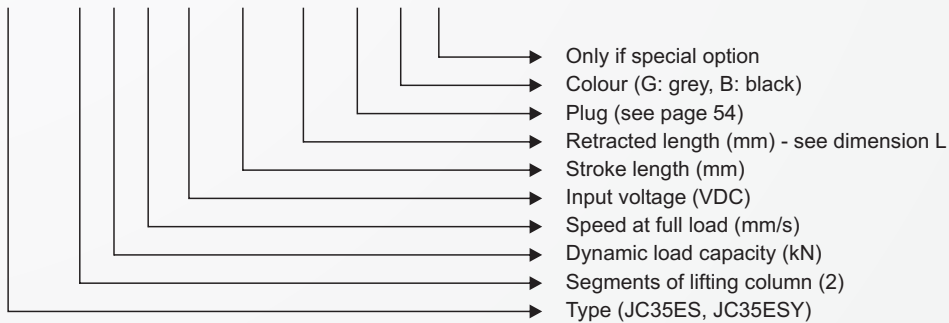


PERFORMANCE



ORDER KEY EXAMPLE

JC35ES - 2 - 4 - 4 - 24 - 200 - 350 - 4s - G - X



LIFTING COLUMNS

JC35ES-3

FEATURES

- JC35ES-3 column is designed for a wide range of workstation applications, like computer workstations, work benches, assembly desks, kitchens or TV lift
- 3 segment columns have smaller installation dimensions and higher speed
- With the Hall sensors built-in, JC35ES-3 can be operated either as single column or several columns in synchronized movement by choosing a control box with micro-processor



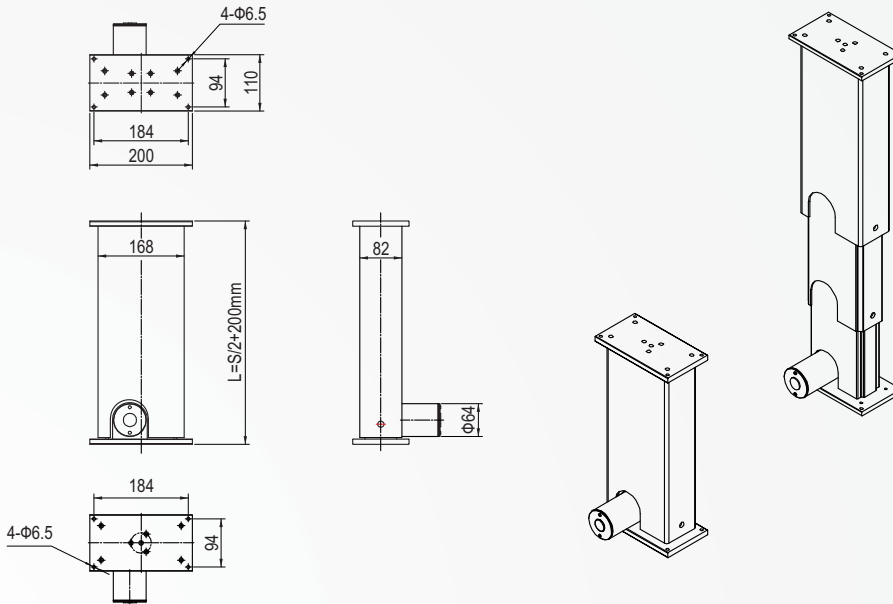
● SPECIFICATIONS

Dynamic Load Push	(N)	1500
Dynamic Load Pull	(N)	1500
Static Load Push *	(N)	1500
Static Load Pull *	(N)	1500
Input	(VDC)	24
Speed at Full Load	(mm/s)	10
Input	(VDC)	12
Speed at Full Load	(mm/s)	7
Stroke Length	(mm)	100~400 (option >400)
Colour		Black or Grey
Mounting		By screws on the top and bottom plate (option)
Overload Protection		Integrated in appropriate Control-Box
Limit Switch		Build-in
Duty Cycle		S2-10min
Tube Material		Aluminum tube
IP Grade		IP43
Operation Temperature		+5°C ~ +40°C
Standard		EN60601-1 / UL60601-1
Optional Feature		Hall sensors option (type JC35ESY)

* The values apply when appropriate Jiecang Control Box is used, which short-circuits the motor during stop.

LIFTING COLUMNS

DIMENSIONS

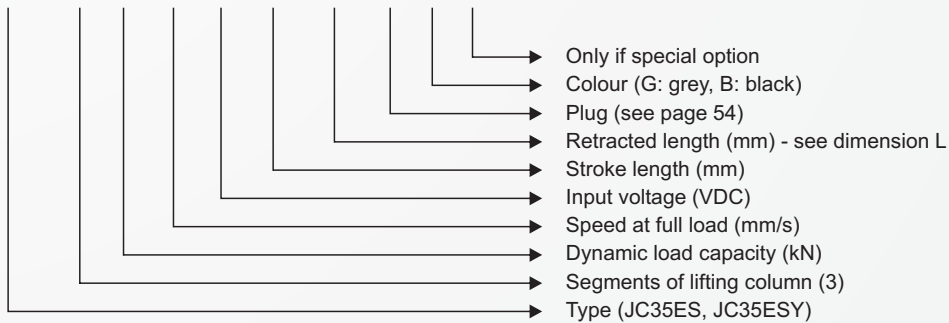


PERFORMANCE



ORDER KEY EXAMPLE

JC35ES - 3 - 1.5 - 10 - 24 - 400 - 400 - 4s - G - X



ADJUSTABLE TABLES

JC35TA

FEATURES

- JC35TA is designed for single column office table which is adjustable
- Table board is not included



SMPS



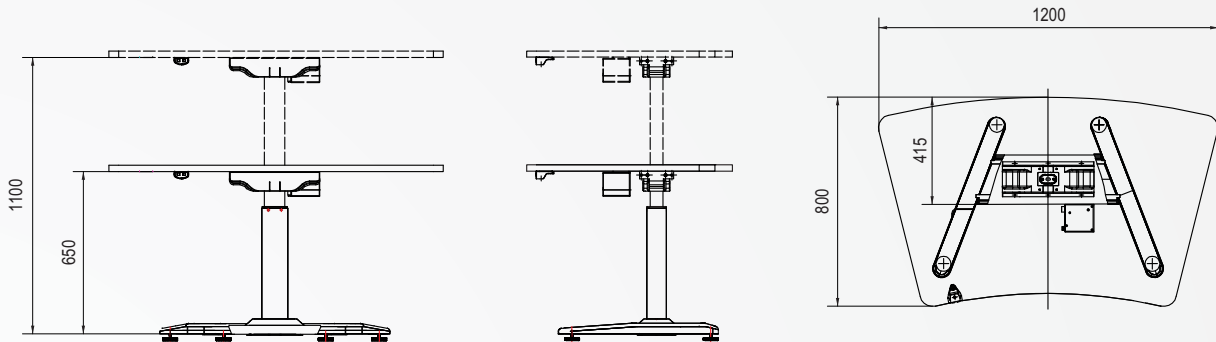
Hand control

● SPECIFICATIONS

Segments		2 segments
Dynamic Load Push	(N)	800
Static Load	(N)	1000
Speed at Full Load	(mm/s)	20
Input	(VAC)	110 or 230
Lowest position	(mm)	650
Highest position	(mm)	1100
Colour		Black
Overload Protection		Yes
Limit Switch		Build-in
Duty Cycle		S2-10min
Tube Material		Powder Painted Steel Tube
IP Grade		IP20
Operation Temperature		+5°C ~ +40°C
Standard		CE
Handset		JCHT35H

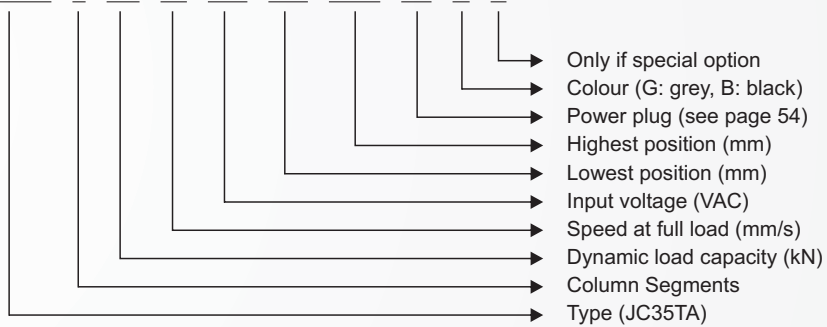
ADJUSTABLE TABLES

DIMENSIONS



ORDER KEY EXAMPLE

JC35TA - 2 - 0.8 - 20 - 230 - 650 - 1100 - EF - B - X



ADJUSTABLE TABLES

JC35TS

FEATURES

- 2-column adjustable office table
- Based on lifting column JC36D4
- Table plate is not included



Control box



Hand control

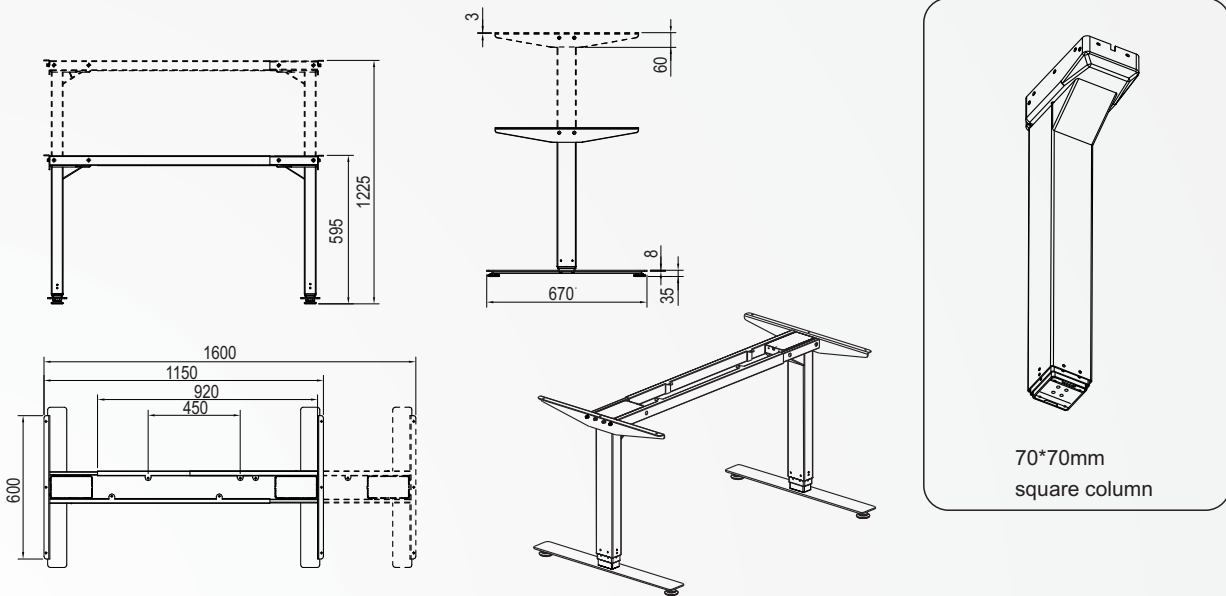


● SPECIFICATIONS

Column Segments		3 segments column
Dynamic Load Push (N)		1000
Static Load (N)		1000
Speed at Full Load (mm/s)		35
Input (VAC)		110 or 230
Lowest position (mm)		595
Highest position (mm)		1225
Colour		Black or Grey (option)
Table board dimension (mm)		Recommend (1350 ~ 1800)*800*25
Overload Protection		Yes
Duty Cycle		S2-10min
Tube Material		Powder Painted Steel Tube
IP Grade		IP20
Operating Temperature		+5°C ~ +40°C
Standard		CE
Handset		JCHT35 or JCHT35J (option)

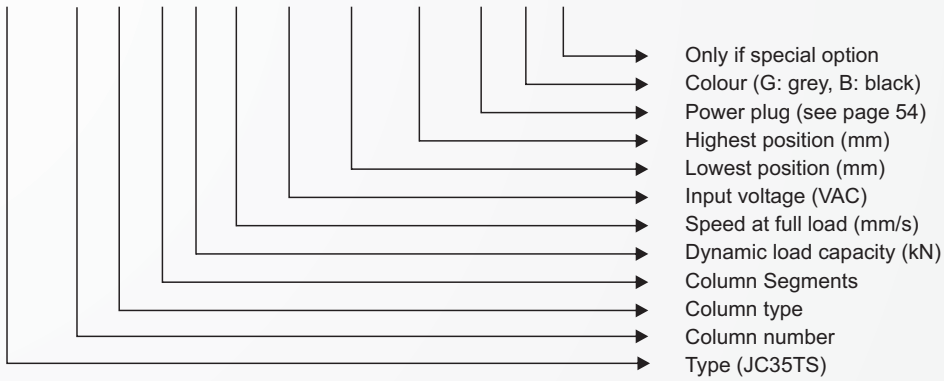
ADJUSTABLE TABLES

DIMENSIONS



ORDER KEY EXAMPLE

JC35TS - 2 - D4 - 3 - 1 - 35 - 230 - 595 - 1225 - EF - B - X



ADJUSTABLE TABLES

JC35TD

FEATURES

- 2-column adjustable office table
- Based on lifting column JC35ED
- Table plate is not included



Control box



Hand control

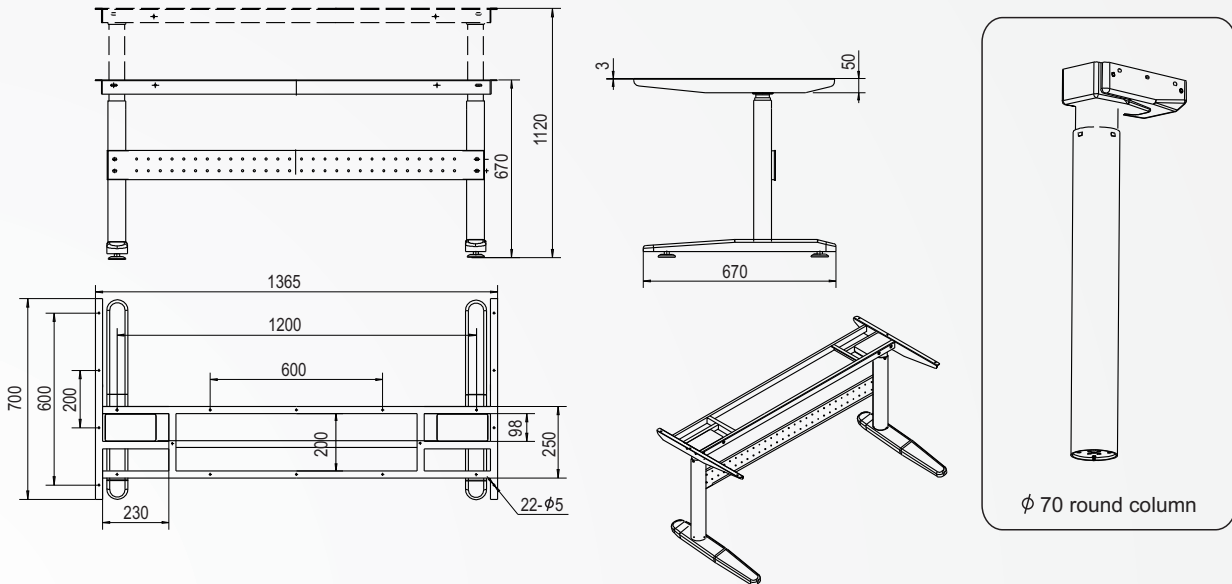


● SPECIFICATIONS

Column Segments		2 segments column
Dynamic Load Push (N)		1000
Static Load (N)		1000
Speed at Full Load (mm/s)		20
Input (VAC)		110 or 230
Lowest position (mm)		670
Highest position (mm)		1120
Colour		Black or Grey (option)
Table board dimension (mm)		Recommend 1600*800*25
Overload Protection		Yes
Duty Cycle		S2-10min
Tube Material		Powder Painted Steel Tube
IP Grade		IP20
Operating Temperature		+5°C ~ +40°C
Standard		CE
Handset		JCHT35 or JCHT35J (option)

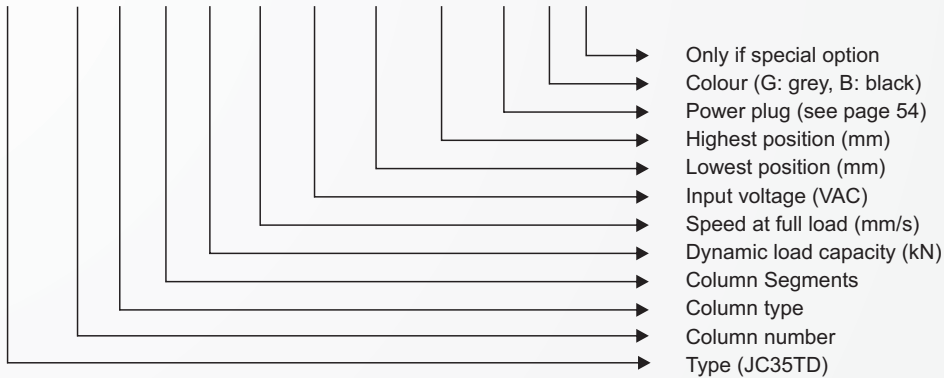
ADJUSTABLE TABLES

DIMENSIONS



ORDER KEY EXAMPLE

JC35TD - 2 - ED - 2 - 1.5 - 20 - 230 - 670 - 1120 - EF - B - X



TV LIFTS

JC35VT

FEATURES

- JC35VT TV lift is designed for lifting TV set with wide range dimensions, from 25" to 50"



Control box



Hand control



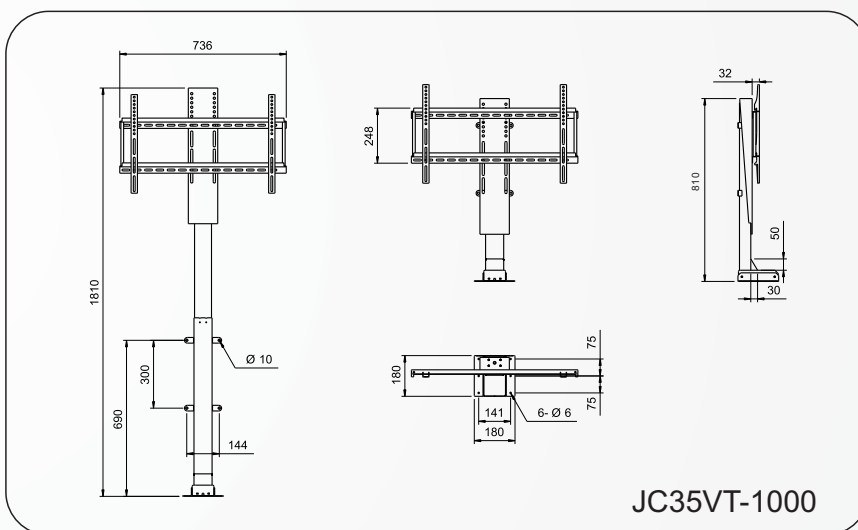
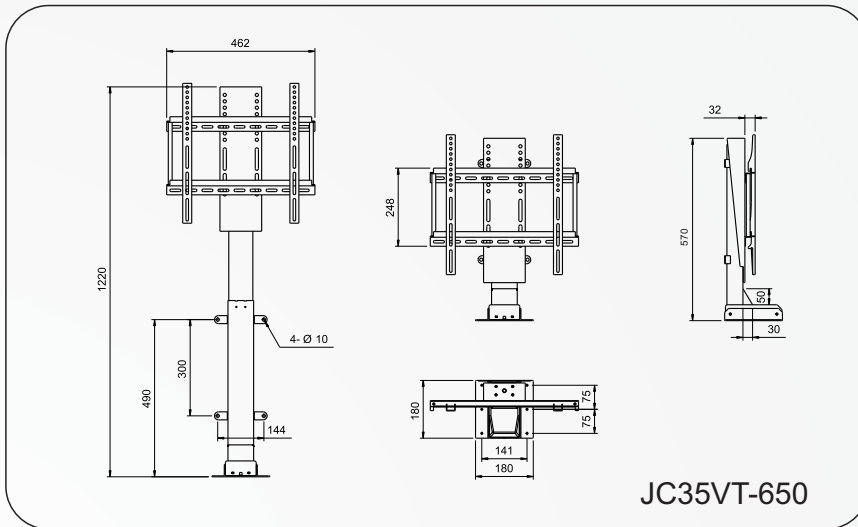
Remote



● SPECIFICATIONS

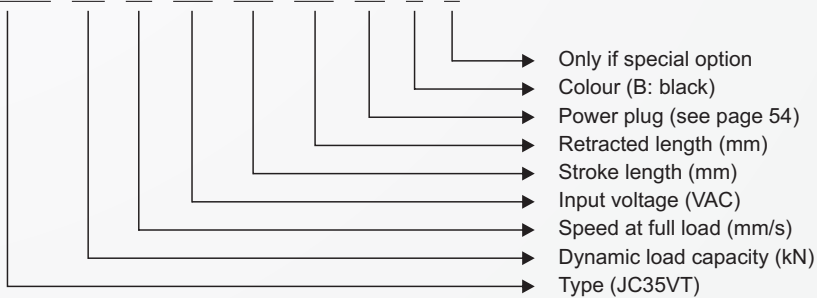
Type	JC35VT-650	JC35VT-1000
Dynamic Load Push (N)	600	
Static Load (N)	700	
Speed at Full Load (mm/s)	25	
Input (VAC)	110 or 230	
Stroke length (mm)	650	1000
Retracted length (mm)	570	810
Colour	Black	
Overload Protection	Yes	
Duty Cycle	10%, max 2min. continuous use	
Tube Material	Powder Painted Steel Tube	
IP Grade	IP20	
Operating Temperature	+5°C ~ +40°C	
Standard	CE/UL	
Remote	RF remote JCHR35E	

DIMENSIONS



ORDER KEY EXAMPLE

JC35VT - 0.6 - 25 - 230 - 650 - 570 - EF - B - X



CONTROL BOXES

JCR35

FEATURES

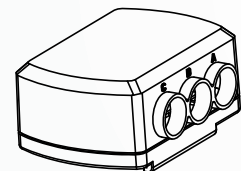
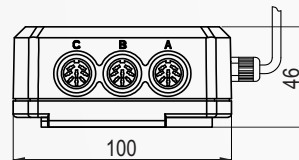
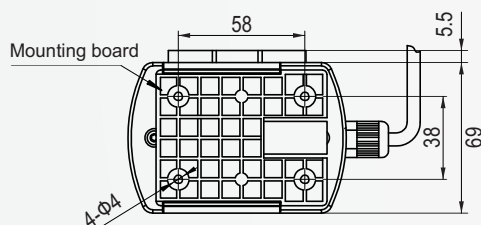
- Connection of max 2 actuators and 1 operating elements



SPECIFICATIONS

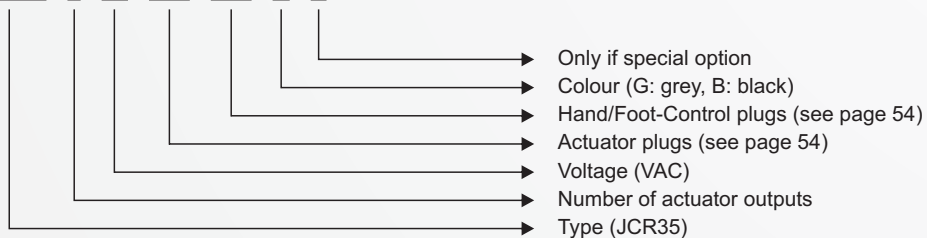
Number of actuator outputs	1-2 outputs	Duty cycle	10%, max 2min. continuous use
Voltage (VDC)	12 or 24 (option)	Overload protection	PTC (see page 07)
Actuator plugs	4sd (see page 54)	Cable length	300mm
Hand/Foot-Control plugs	9sd (see page 54)	IP Grade	IP54
Power plug	01s (see page 54)	Ambient temperature	+5°C ~ + 40°C
Colour	Black or Grey	Standard	CE

DIMENSIONS



ORDER KEY EXAMPLE

JCR35 - 2 - 24 - 4sd - 9sd - B - X



CONTROL BOXES

JCB35E

FEATURES

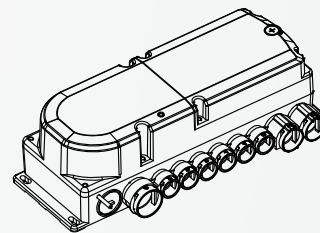
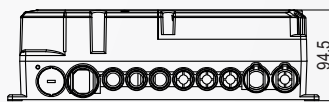
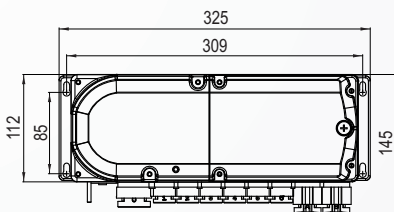
- Connection of max 6 actuators and 2 operating elements
- Built-in backup battery function option and IPX4
- Medically approved according to EN60601-1 / UL60601-1



SPECIFICATIONS

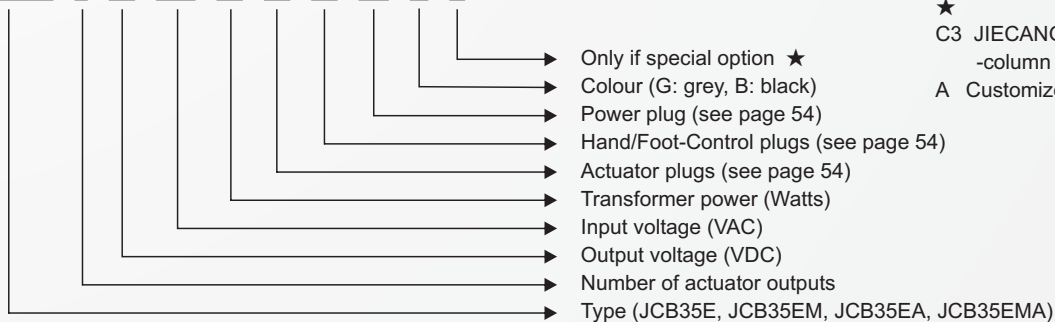
Number of actuator outputs	1-6 outputs	Fuse	Can be changed from outer side
Output Voltage (VDC)	24/29	Cable length	3m
Input Voltage (VAC)	110 or 230	IP Grade	IP54
Transformer power (Watts)	86/150/200/360	Ambient temperature	+5°C ~ +40 °C
Actuator plugs	4s/6s (see page 54)	Standard	UL60601-1 / CE
Hand/Foot-Control plugs	9s/13s (see page 54)	Optional Features	Back-up battery, 1.3Ah/24V, charger built-in (JCB35EA)
Power plug	Option (see page 54)		Customized intelligent function with microchips built-in option (JCB35EM)
Colour	Black or Grey		Battery and customized function together (JCB35EMA)
Duty cycle	10%, max 2min. continuous use		
Overload protection	For all channels (single-extra protected or combined-extra protected), Option (see page 07)		

DIMENSIONS



ORDER KEY EXAMPLE

JCB35E - 4 - 24 - 230 - 86 - 4s - 9s - EF - G - X



- ★ C3 JIECANG standard 3-column bed system
- A Customized function

CONTROL BOXES

JCB35G

FEATURES

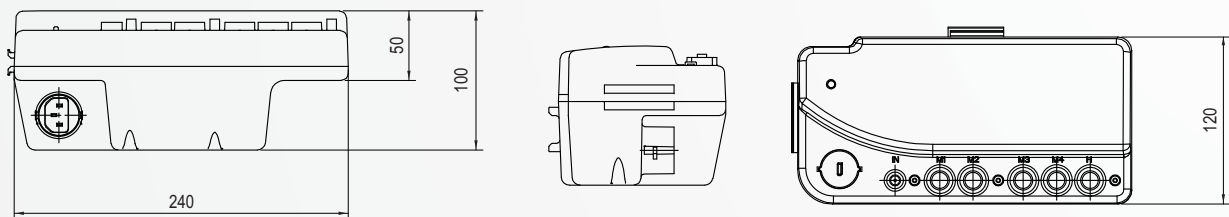
- Connection of max 4 actuators and 1 operating element
- Has battery charger option built-in and IP66 and EN60601-1 approval
- Designed for direct mounting on actuator JC35G



SPECIFICATIONS

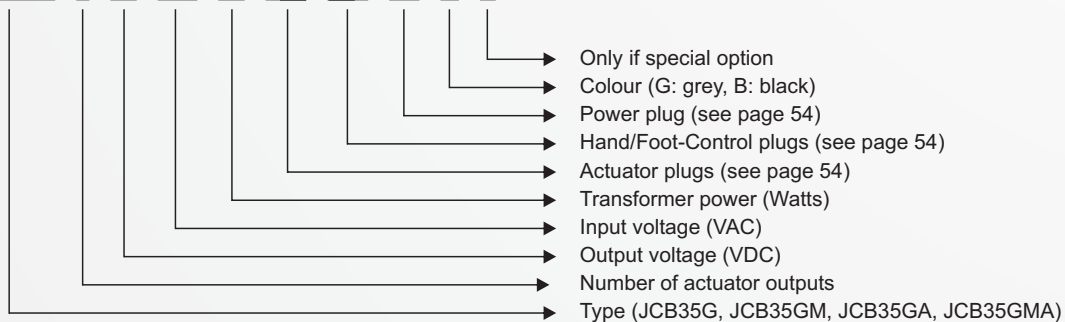
Number of actuator outputs	1-4 outputs	Fuse	Can be changed from outer side
Output Voltage (VDC)	24	Cable length	3m
Input Voltage (VAC)	110 or 230	IP Grade	IP66
Transformer power (Watts)	86/150/200	Ambient temperature	+5°C ~ + 40°C
Actuator plugs	4sd (see page 54)	Standard	CE
Hand/Foot-Control plugs	9sd (see page 54)	Optional Features	Battery charger built-in (JCB35GA)
Power plug	Option (see page 54)		Customized intelligent function with microchips built-in, option (type JCB35GM)
Colour	Black or Grey		Battery charger and customized function together (type JCB35GMA)
Duty cycle	10%, max 2min. continuous use		
Overload protection	For all channels (single-extra protected or combined-extra protected), Option (see page 07)		

DIMENSIONS



ORDER KEY EXAMPLE

JCB35G - 4 - 24 - 230 - 86 - 4sd - 9sd - EF - G - X



CONTROL BOXES

JCB35J

FEATURES

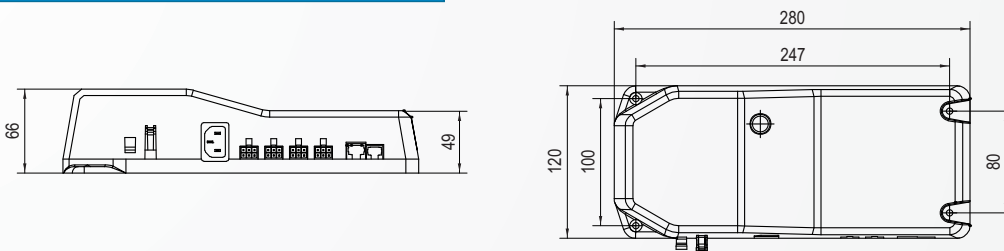
- Can control up to 4 actuators or columns working synchronized and soft start and stop function
- The standby consumption is less than 0.2 W
- It is popular to be used for adjustable office table



SPECIFICATIONS

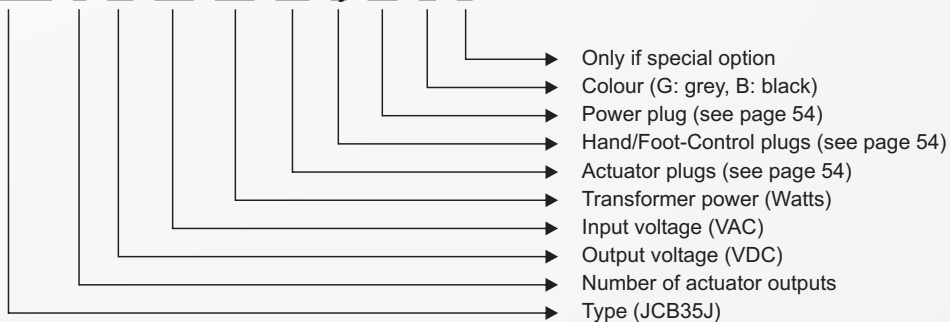
Number of actuator outputs	1-4 outputs	Overload protection	For all channels, single-extra protected (see page 07)
Output Voltage (VDC)	31	Fuse	Can be changed from outer side
Input Voltage (VAC)	110 or 230	Cable length	3m
Transformer power (Watts)	200/360	IP Grade	IP20
Actuator plugs	6m (see page 54)	Ambient temperature	+5°C ~ + 40°C
Hand/Foot-Control plugs	rj (see page 54)	Standard	UL60601-1 / CE
Power plug	Option (see page 54)	Other Features	Stroke length, retracted length, speed, ... can be adjusted by our accessory JCHY35.
Colour	Black		
Duty cycle	10%, max 2min. continuous use		

DIMENSIONS



ORDER KEY EXAMPLE

JCB35J - 2 - 24 - 230 - 200 - 6m - rj - EF - B - X



CONTROL BOXES

JCJ35

FEATURES

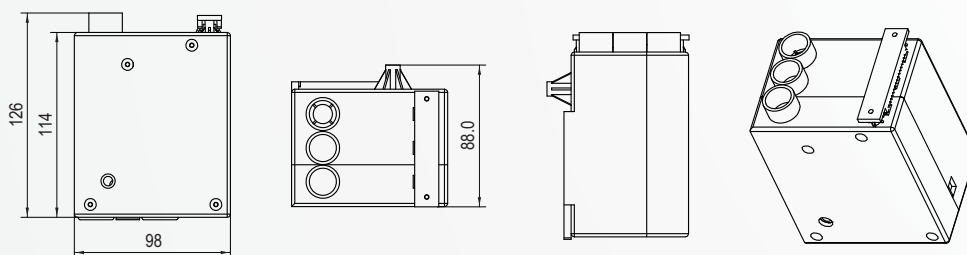
- Connection of max 2 actuators and 1 operating element
- Max 50VA power
- Economical design for furniture market



SPECIFICATIONS

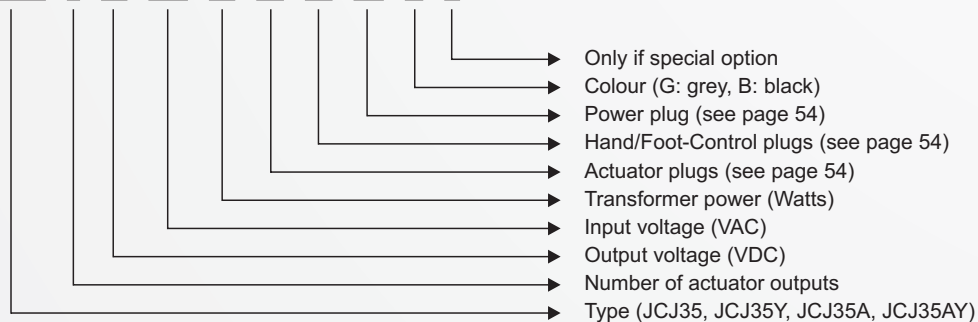
Number of actuator outputs	1-2 outputs	Overload protection	PTC protection
Output Voltage (VDC)	24	Fuse	inside
Input Voltage (VAC)	110 or 230	Cable length	3m
Transformer power (Watts)	50	IP Grade	IP43
Actuator plugs	4b (see page 54)	Ambient temperature	+5°C ~ + 40°C
Hand/Foot-Control plugs	9b (see page 54)	Standard	UL60601-1 / CE
Power plug	Option (see page 54)	Optional Features	9V*2 batteries built-in (type JCJ35A)
Colour	Black or Grey		RF receiver built-in (type JCJ35Y)
Duty cycle	10%, max 2min. continuous use		Battery and RF receiver function together (type JCJ35AY)

DIMENSIONS



ORDER KEY EXAMPLE

JCJ35 - 1 - 24 - 230 - 50 - 4b - 9b - EF - G - X



CONTROL BOXES

JCJ35D

FEATURES

- Connection of max 4 actuators and 1 operating elements
- Max 100VA power
- Economical design for furniture market

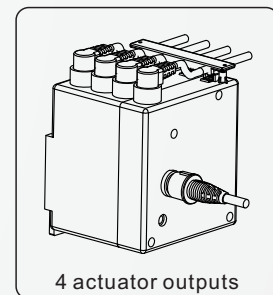
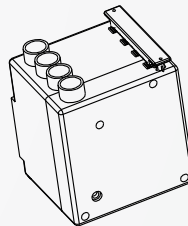
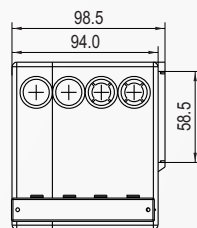
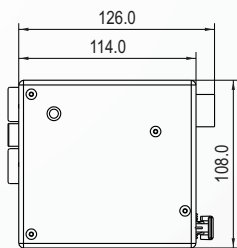


SPECIFICATIONS

Number of actuator outputs	1-4 outputs	Duty cycle	10%, max 2min. continuous use
Output Voltage (VDC)	24	Overload protection	PTC protection
Input Voltage (VAC)	110 or 230	Fuse	inside
Transformer power (Watts)	100	Cable length	3m
Actuator plugs	4b/4s (see page 54)	IP Grade	IP43
Hand/Foot-Control plugs	9b/13s (see page 54)	Ambient temperature	+5°C ~ + 40°C
Power plug	Option (see page 54)	Standard	CE
Colour	Black or Grey	Optional Features	RF receiver built-in (type JCJ35DY)

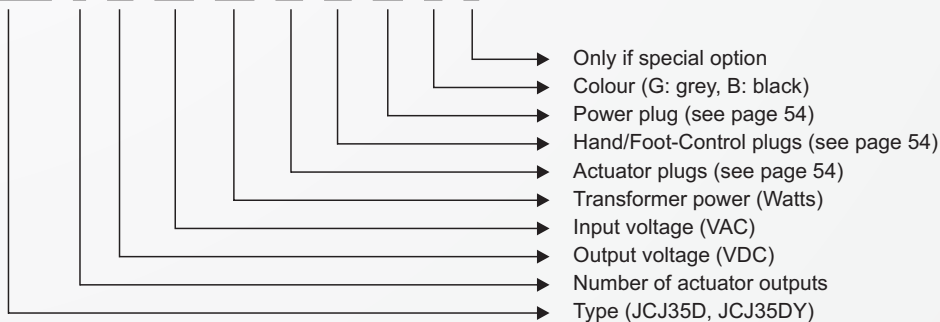
※ JCJ35D control box can be made for 4 actuator outputs. The hand control will be connected on the side as on following picture.

DIMENSIONS



ORDER KEY EXAMPLE

JCJ35D - 3 - 24 - 230 - 100 - 4b - 9b - EF - G - X



HAND/FOOT CONTROLS

JCHB35 JCHC35

FEATURES

- Small and round design for upholstered furniture
- JCHC35 can work with relay free version actuator



JCHB35

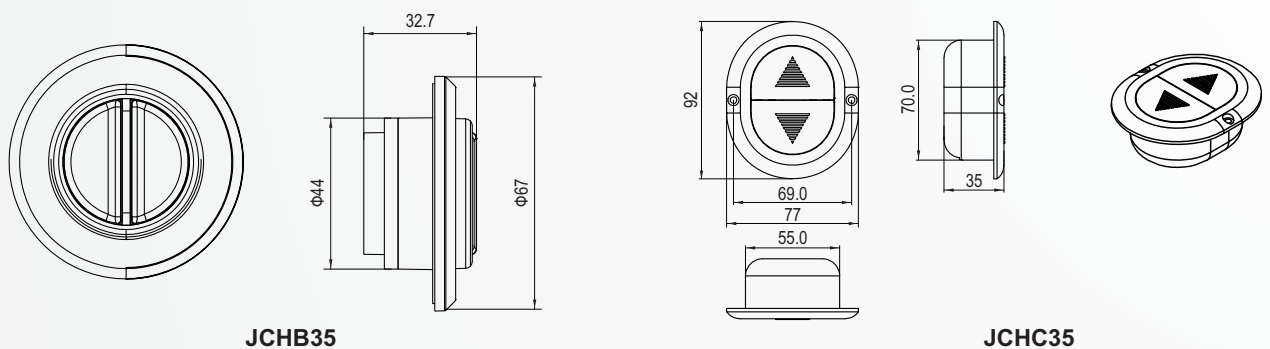


JCHC35

SPECIFICATIONS

Actuator Quantity	For 1 actuator
Plug	Option (see page 54)
Colour	Black
Cable	Straight cable (1.6m)
IP Degree	IP20
Connection	All of JIECANG control boxes
Other features	Round design and for Upholstered furniture

DIMENSIONS

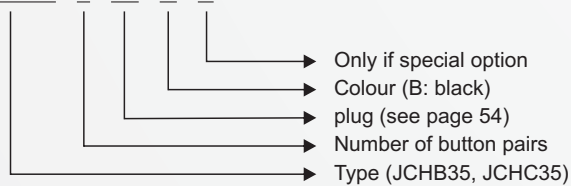


JCHB35

JCHC35

ORDER KEY EXAMPLE

JCHB35 - 1 - 9b - B - X



HAND/FOOT CONTROLS

JCHE35 JCHJ35 JCHL35

FEATURES

- IPX4 and with hook design for medical market



JCHE35

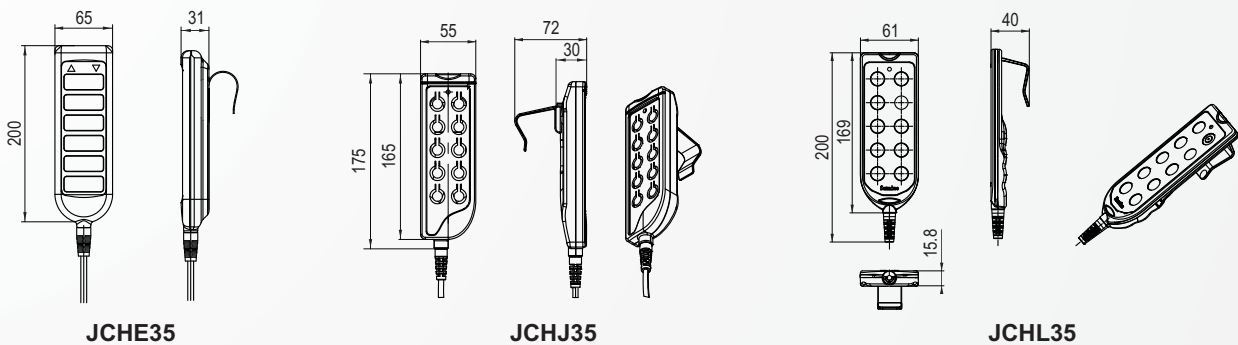
JCHJ35

JCHL35

SPECIFICATIONS

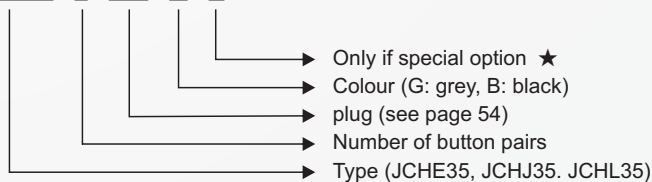
	JCHE35	JCHJ35	JCHL35
Actuator Quantity	For 1-6 actuators	For 1-5 actuators	For 1-5 actuators
Plug	Option (see page 54)		
Colour	Black or Grey		
Cable	Coiled cable		
IP Degree	IP54	IP54	IP66
Connection	All of JIECANG control boxes		
Other features	Lock/Unlock function (electronic)	Lock/Unlock on the back (mechanical key)	Background light

DIMENSIONS



ORDER KEY EXAMPLE

JCHE35 - 5 - 13s - G - X



- ★ ML - Mechanical lock on backside
- BL - Background light
- EL - electronic lock

HAND/FOOT CONTROLS

JCHQ35 JCHS35 JCHX35

FEATURES

- Economical design for furniture market



JCHQ35



JCHS35

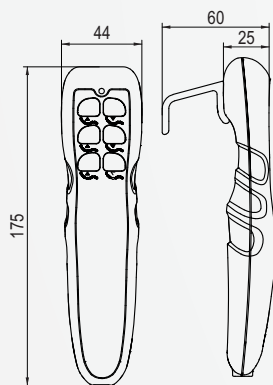


JCHX35

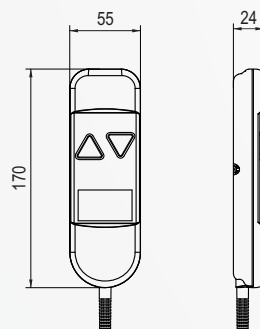
● SPECIFICATIONS

	JCHQ35	JCHS35	JCHX35
Actuator Quantity	For 1-2 actuators	For 1-2 actuators	For 1-2 actuators
Plug	Option (see page 54)		
Colour	Black or Grey		
Cable	Coiled cable		
IP Degree	IP20		
Connection	All of JIECANG control boxes		
Other features	Special design for dual motor system	Can connect with relay free system	With holder to support

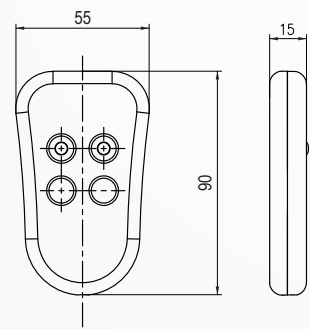
● DIMENSIONS



JCHQ35



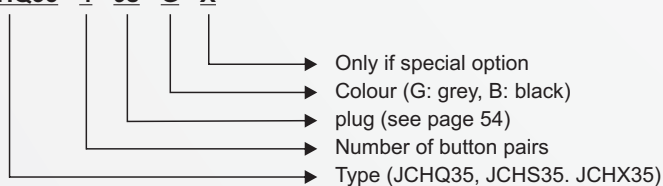
JCHS35



JCHX35

● ORDER KEY EXAMPLE

JCHQ35 - 4 - 9s - G - X



HAND/FOOT CONTROLS

JCHM35 JCHT35 JCHT35J JCHT35H

FEATURES

- Special designed for adjustable table



JCHM35



JCHT35



JCHT35J

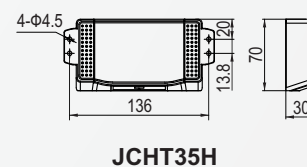
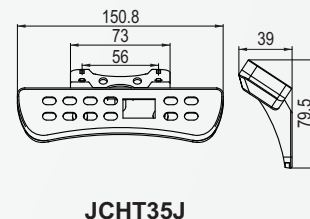
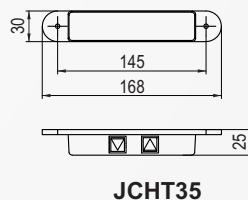
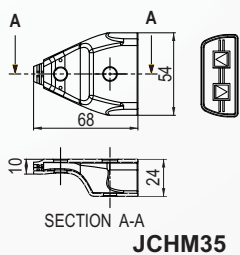


JCHT35H

● SPECIFICATIONS

	JCHM35	JCHT35	JCHT35J	JCHT35H
Actuator Quantity	For 1 actuator	For 1~2 actuators	For 1-3 actuators synchronized movement	For 1 actuator
Plug	Option (see page 54)			
Colour	Black	Black or Grey	Black	Black
Cable	Straight cable			
IP Degree	IP20			
Connection	All of JIECANG control boxes	All of JIECANG control boxes	JIECANG JCB35J control box	Relay free version
Other features			(1) 4 positions memory function; (2) LED list for position of the actuator or column.	(1) Relay built-in; (2) Soft start.

● DIMENSIONS



● ORDER KEY EXAMPLE

JCHM35 - 1 - 9b - B - X

- Only if special option
- Colour (G: grey, B: black)
- plug (see page 54)
- Number of button pairs
- Type (JCHM35, JCHT35, JCHT35J, JCHT35H)

HAND/FOOT CONTROLS

JCF35 JCFS35

FEATURES

- The foot switches can be connected together



JCF35

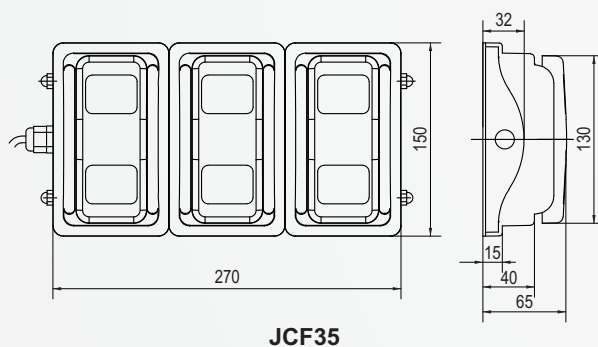


JCFS35

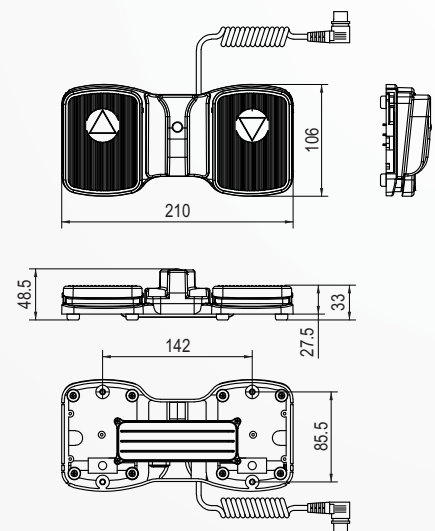
● SPECIFICATIONS

	JCF35	JCFS35
Actuator Quantity	For 1-4 actuators	For 1-2 actuators
Plug	Option (see page 54)	
Colour	Black or Grey	Black
Cable	Coiled cable	Coiled cable
IP Degree	IP54	IP66
Connection	All of JIECANG control boxes	

● DIMENSIONS



JCF35



JCFS35

● ORDER KEY EXAMPLE

JCF35 - 2 - 9s - G - X

- Only if special option
- Colour (G: grey, B: black)
- plug (see page 54)
- Number of button pairs
- Type (JCF35, JCFS35)

HAND/FOOT CONTROLS

JCHI35 JCHN35A

FEATURES

- Can control 1-4 actuators together with JIECANG control box
- Used for medical market



JCHI35

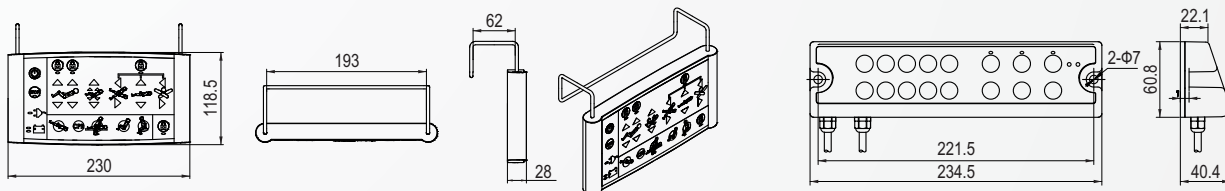


JCHN35A

● SPECIFICATIONS

	JCHI35	JCHN35A
Actuator Quantity	For 1-5 actuators / columns totally	For 1-4 actuators
Colour	Grey	
Plug	13s (see page 54)	9s (see page 54)
Cable	Coiled cable (see page 07)	
IP Degree	IP54	
Connection	JIECANG intelligent connection box JCP35N	All of JIECANG JCB35 series control boxes
Other features	Lock/unlock the patient controls buttons separately	Lock/unlock the patient controls buttons separately
	Battery energy indicated by LEDs	Battery energy indicated by LEDs
	Buttons for nurse operating the bed movement	Buttons for nurse operating the bed movement
	Safety design: lock all of the operation buttons after 10 seconds no use.	Safety design for all of the buttons valued by pressing the COM button together.
	Urgent stop: "STOP" button.	
	One button movement function	

● DIMENSIONS

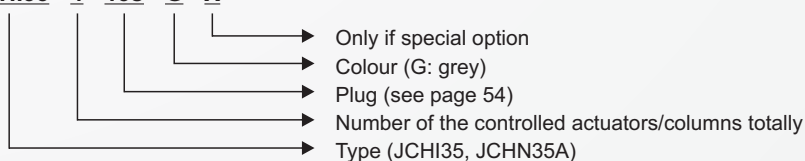


JCHI35

JCHN35A

● ORDER KEY EXAMPLE

JCHI35 - 4 - 13s - G - X



HAND/FOOT CONTROLS

JCHR35B JCHR35C JCHR35D JCHR35E

FEATURES

- RF wireless remotes controls



JCHR35B



JCHR35C



JCHR35D

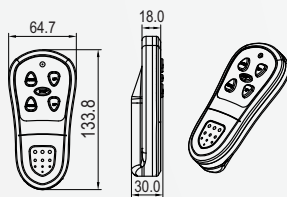


JCHR35E

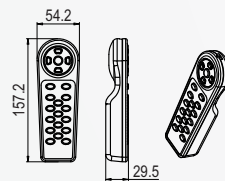
● SPECIFICATIONS

	JCHR35B	JCHR35C	JCHR35D	JCHR35E
Actuator Quantity	For 1-2 actuators	2 actuators + 2 massage motors	For 1 actuator	For 1-3 actuators
Colour	Grey	Black or Grey	Black	Black
IP Degree	IP20			
Connection	All kinds of the JIECANG control boxes with RF receiver			
Other features	Have Up, Down and Stop buttons	Nice design for relax bed with back, foot, night light and massage motor functions and position management.		

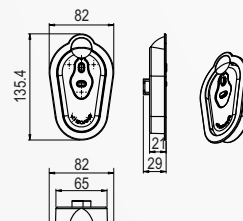
● DIMENSIONS



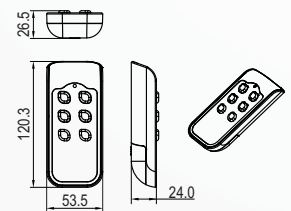
JCHR35B



JCHR35C



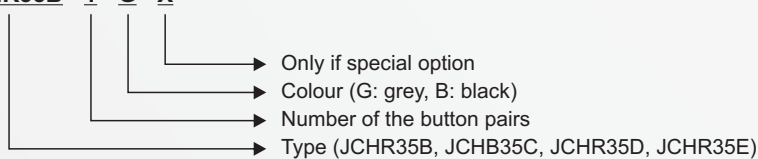
JCHR35D



JCHR35E

● ORDER KEY EXAMPLE

JCHR35B - 1 - G - X



MAIN-CUT JCP35A SMPS JCP35PA-50 JCP35PA-40

FEATURES

- Power supply devices with low standby consumption
- (less than 0.5 W)



JCP35A



JCP35PA-50

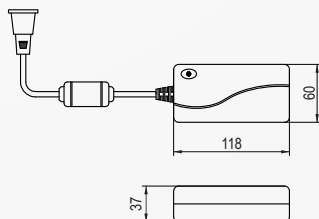
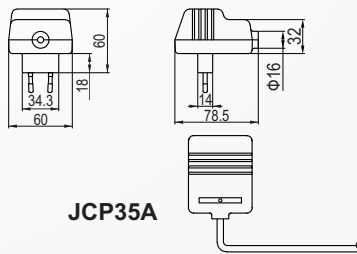


JCP35PA-40

SPECIFICATIONS

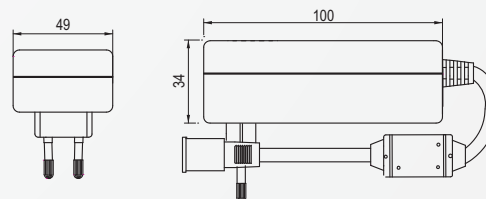
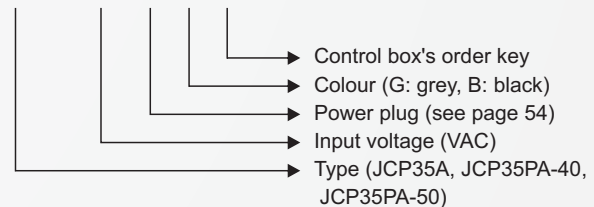
	MAIN-CUT JCP35A	SMPS JCP35PA-50	JCP35PA-40
Input Voltage	230VAC/50Hz	100-240VAC/50-60Hz	100-240VAC/50-60Hz
Output Voltage (VDC)	match with control box	29	29
Output power (Watts)	match with control box	50	40
Power Plug	C type (see page 54)	Option (see page 54)	C type (see page 54)
Colour	Black or Grey		
Connected control box	JIECANG control boxes	JIECANG control boxes or relay free version	
Output connector	Directly connects with the power cable of the control box	01s (see page 54)	
Stand by consumption	Less than 0.5 W		
Duty cycle	10%, max, 2min. continuous use		
Overload Protection	Yes		
IP Grade	IP54		
Ambient temperature	+5°C - + 40°C		
Standard	CE		

DIMENSIONS



ORDER KEY EXAMPLE

JCP35A - 230 - C - G - X



ACCESSORIES

NIGHT LIGHT JCP35E-LED

FEATURES

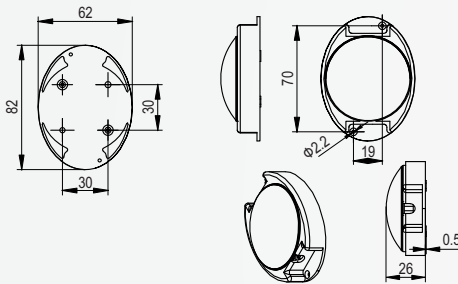
- JCP35E-LED is night light mounted under the bed for patient or elder man in the night
- It is connected on the handset connector of any JIECANG control box



SPECIFICATIONS

Plug	Option (see page 54)
Colour	Black
Cable	Straight cable
IP Degree	IP20
Connection	To handset connector of JIECANG control boxes
Other feature	White LED light, for patient safety at night

DIMENSIONS



ORDER KEY EXAMPLE

JCP35E-LED - 9b - G - X

- Only if special option
- Colour (B: black)
- Power plug (see page 54)
- Type (JCP35E-LED)

CONNECTION BOX JCP35Z

FEATURES

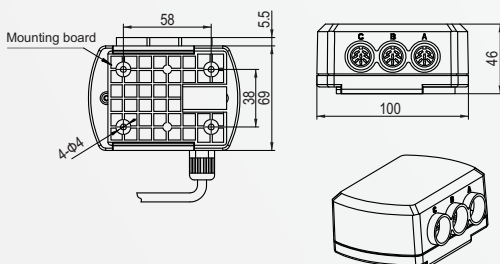
- Connection box JCP35Z is designed to use where there is up to 3 hand/foot controls to be connected to the control box



SPECIFICATIONS

Plug to control box	Option (see page 54)
Connector to hand/foot controls	Option (see page 54)
Number of the hand/foot controls	1-3 controls
Colour	Black or Grey

DIMENSIONS



ORDER KEY EXAMPLE

JCP35Z - 9s - 9s - 3 - B - X

- Only if special option
- Colour (G: grey, B: black)
- Number of the hand/foot controls
- Connector to match with hand/foot controls (see page 54)
- Plug to control box (see page 54)
- Type (JCP35Z)

SIDERAIL JCP35H03

FEATURES

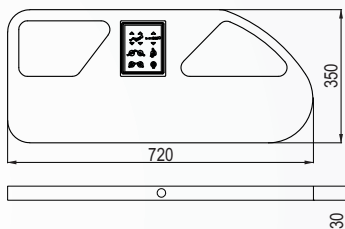
- Siderail special designed for hospital bed
- Operation panel can be customized design
- Match with JIECANG control box



SPECIFICATIONS

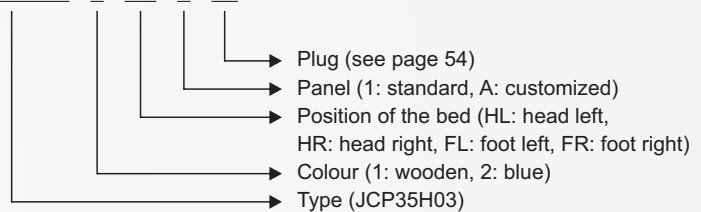
Colour	Wooden/blue colore on surface (option)
Position of the bed	There are 4 pcs siderails in one bed. They are head left, head right, foot left and foot right siderails.
Panel design	Standard and also customized option
Plug	9s/13s(option, see page 54)
Material	PE
Cable	Coiled cable (see page 07)

DIMENSIONS



ORDER KEY EXAMPLE

JCP35H03 - 1 - HL - 1 - 9s



HEADBOARD JCP35J01

FEATURES

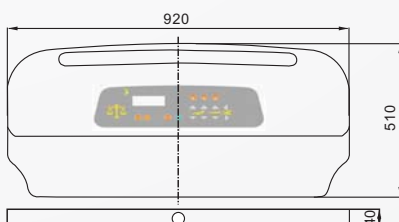
- Headboard special designed for hospital bed
- On the foot side headboard, there can be mounted with scale display and operation panel



SPECIFICATIONS

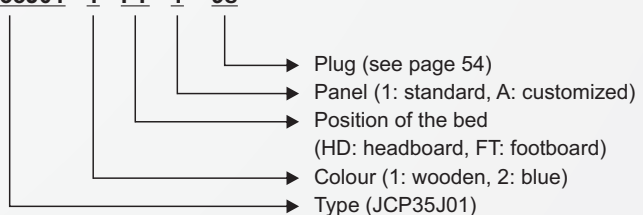
Colour	Wooden/blue on surface (option)
Complete set	There are 2 pcs headboards in one bed.
Panel design	Standard and also customized design
Plug	9s/13s (see page 54)
Material	PE
Cable	Straight cable

DIMENSIONS



ORDER KEY EXAMPLE

JCP35J01 - 1 - FT - 1 - 9s



ACCESSORIES

PLUGS

Actuator/Column plugs, Control box plugs and Hand/Foot -Controls plugs are listed as followings:

Actuator/Column plugs



4b



4s



6s



6m



4sd



01s(relay free version)



rf (relay free version)

Hand/Foot Control plugs



9b



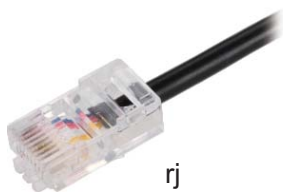
9sd



9s



13s



rj



rf (relay free version)

Power-Supply Plugs



EF type



C type



G type

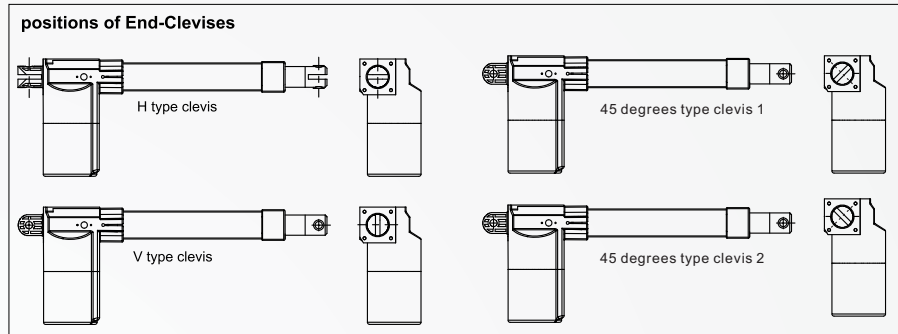


J type

ADDITIONAL INFORMATION

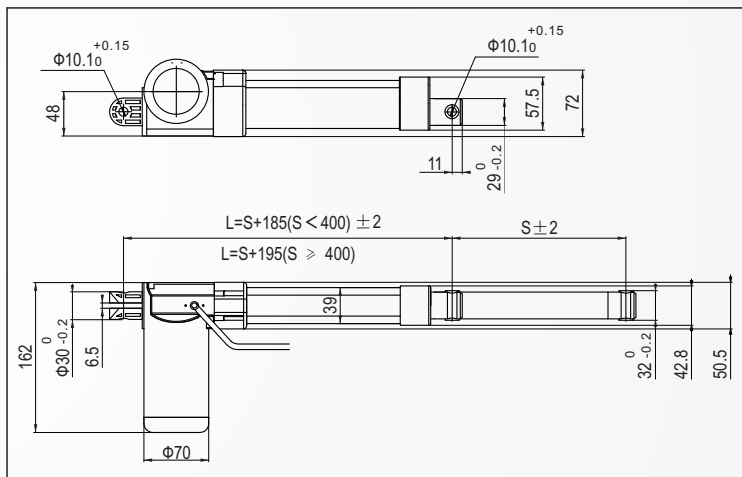
TOP-END-CLEVIS

Position of the Top-End-Clevis: Position of the Top-End-Clevis of most of the Linear Actuators can be chosen as H type (Horizontal), V type (Vertical) or 45 degrees (as following drawing).

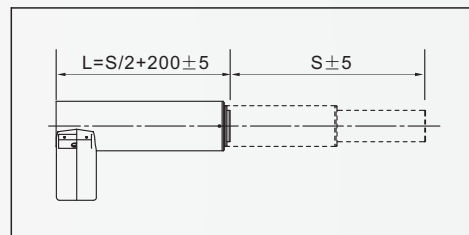


TOLERANCE

The tolerance of the stroke length, retracted length, mounting hole, mounting clevis outer diameter of the actuators is listed as following.

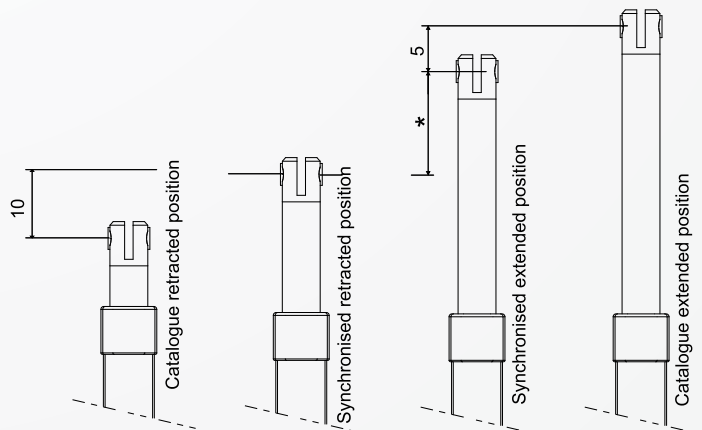


The tolerance of the stroke length, retracted length of the columns is listed as following.



SYNCHRONISED STROKE

Synchronized stroke is reduced by 15 mm compared to the ordering stroke (as following drawing).



* Synchronised stroke

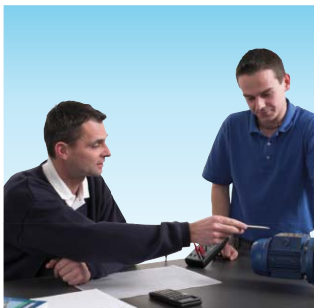
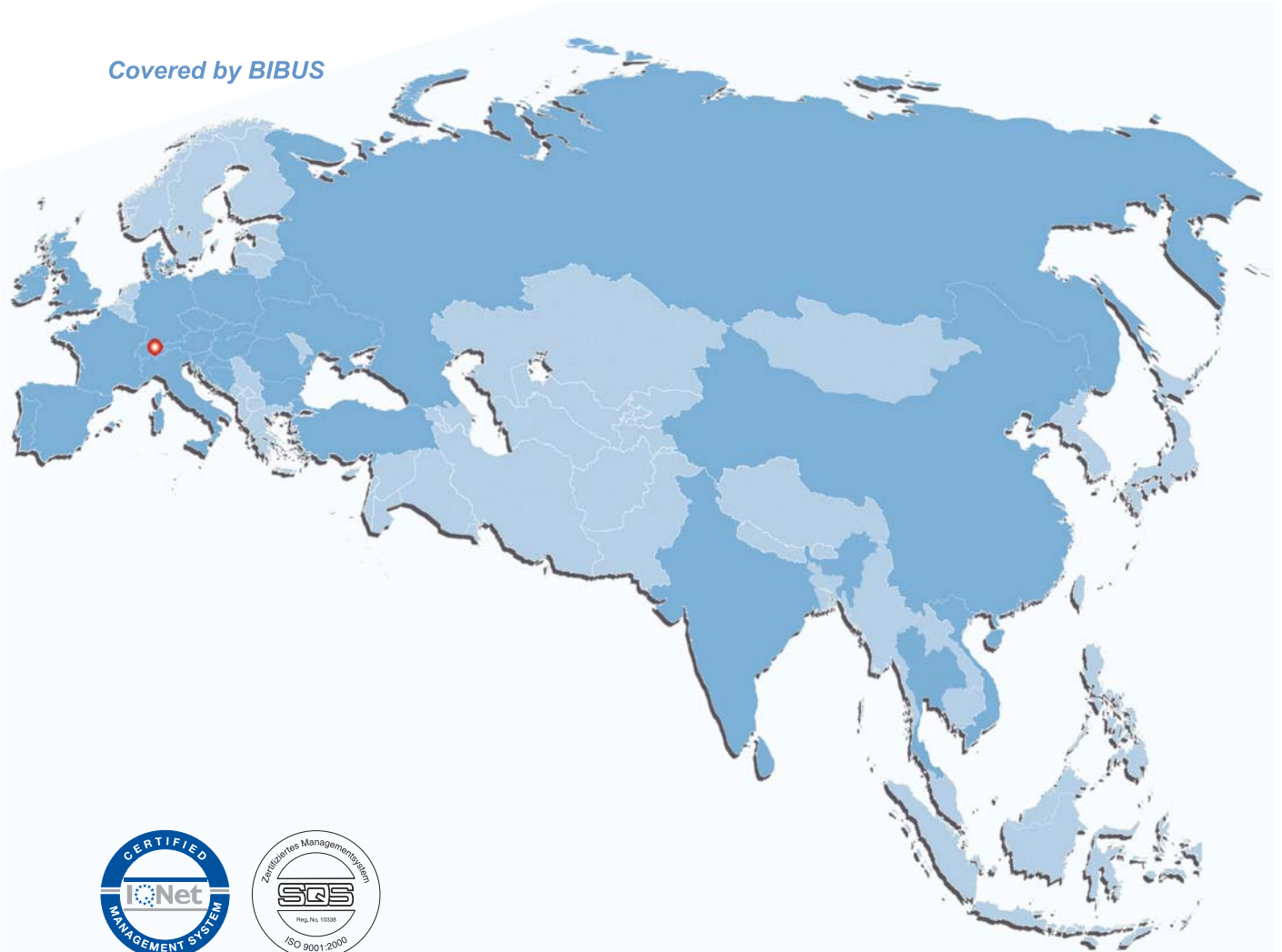


Sales Network

www.bibus-technology.com

The BIBUS sales network is the link between our manufacturing plants and the customers. Jiecang co-operates with experienced product managers from BIBUS on their local markets. Many years of trading partnerships are based on continuity and trust. In this way we achieve the best possible conditions for our customers. The BIBUS core competences are Engineering, Logistics and Service. Over 70 years of experience in the areas of mechatronics, pneumatics, hydraulics, and environmental technology have made BIBUS to one of the leading product and solution provider in Europe.

Covered by BIBUS



BIBUS locations

 *Switzerland Headquarter*


BIBUS AG

Allmendstrasse 26
8320 Fehraltorf
Switzerland
Tel. +41 44 877 50 11
E-mail: info.bag@bibus.ch
www.bibus.ch

 *Austria*

BIBUS Austria GmbH

Eduard Klinger-Strasse 12
AT-3423 St. Andrä-Wördern
Tel. +43 2242 33 388
E-mail: info@bibus.at
www.bibus.at

 *Belarus*

BIBUS (BY) COOO

8th Per. Ilyicha 13a, office 2.1
BY-246013 Gomel
Tel. +375 232 39 09 10
E-mail: info@bibus.by
www.bibus.by

 *Bulgaria*

BIBUS Bulgaria Ltd.

2 Blvd. Prof. Tzvetan Lazarov, Floor 2
1574 SOFIA
Tel. +359 2 971 98 08
E-mail: info@bibus.bg
www.bibus.bg

 *Croatia*

BIBUS Zagreb d.o.o.

Anina 91
HR-10000 Zagreb
Tel. +385 1 381 80 04
E-mail: bibus@bibus.hr
www.bibus.hr

 *Czech Republic*

BIBUS s.r.o.

Videnska 125
CZ-639 27 Brno
Tel. +420 5 47 125 300
E-mail: bibus@bibus.cz
www.bibus.cz

 *Denmark*

A/S H. SINDBY & Co

Edisonvej 11
DK-7100 Vejle
Tel. +45 75 88 21 22
E-mail: sindby@sindby.dk
www.sindby.dk

 *France*

BIBUS France S.A.S.

ZI du Chapotin
233, rue des Frères Voisin
FR-69970 Chaponnay
Tel. +33 4 7896 80 00
E-mail: contact@bibusfrance.fr
www.bibusfrance.fr

 *Germany*

BIBUS GmbH

Lise-Meitner-Ring 13
DE-89231 Neu-Ulm
Tel. +49 731 20 76 90
E-mail: info@bibus.de
www.bibus.de

 *Great Britain*

BIBUS (UK) Ltd

20 Soho Mills
GB-Wooburn Green HP10 0PF
Tel. +44 1628 533 300
E-mail: info@bibus.co.uk
www.bibus.co.uk

 *Hungary*

BIBUS Kft

Ujhegyi ut 2
HU-1103 Budapest
Tel. +36 1 265 27 33
E-mail: info@bibus.hu
www.bibus.hu

 *India*

BIBUS Horizon Ltd

Yelahanka New Town
IN-Bangalore - 560 106
Tel. +91 80 4204 35 02
E-mail: info@bibus.in
www.bibus.in

 *Italy*

BIBUS Italia Srl

Via dell'Industria 24 - 26
IT-40050 Argelato (BO)
Tel. +39 333 694 44 80
E-mail: info@bibus.it
www.bibus.it

 *Poland*

BIBUS MENOS Sp. z o.o.

ul. Spadochroniarzy 18
PL-80-298 Gdansk
Tel. +48 58 660 95 70
E-mail: info@bibusmenos.pl
www.bibusmenos.pl

 *Portugal*

BIBUS Portugal, Lda

Rua 5 de Outubro, 5026
PT-4465-079 S.M. Infesta, Porto
Tel. +351 22 906 50 50
E-mail: info@bibus.pt
www.bibus.pt

 *Romania*


BIBUS SES SRL

Pestalozzi Street 22
RO-300155 Timisoara
Tel. +40 256 200 500
E-mail: office@bibus.ro
www.bibus.ro

 *Russia*


BIBUS o.o.o.

Izmailovskiy prospect 2A
RU-190005 St. Petersburg
Tel. +7 812 251 62 71
E-mail: info@bibus.ru
www.bibus.ru

 *Slovakia*

BIBUS SK s.r.o.

Trnavska 31
949 01 Nitra
Tel. +421 37 777 79 11
E-mail: sale@bibus.sk
www.bibus.sk

 *Slovenia*

INOTEH d.o.o.

K Železnici 7
SI-2345 Bistrica ob Dravi
Tel. +386 2 665 11 31
E-mail: info@inoteh.si
www.inoteh.si

 *Spain*

BIBUS SPAIN, S.L.

Poligono Industrial Porto do Molle
Rua do Arroncal Vial C-Nave 4A
36350 Nigran
Tel. +34 986 24 72 86
E-mail: info@bibus.es
www.bibus.es

 *Thailand*

BIBUS THAILAND Company Ltd

68/4-5 Moo 4 Tiwanont Road
Banmai, Muang District
TH-12000 Patumthanee
Tel. +66 2 963 91 22

 *Turkey*

BIBUS Otomasyon San. ve

Tic. Ltd. Sti.

Hadi Nasir Hani No. 49 Kat: 2
TR-34425 KARAKÖY / ISTANBUL
Tel. +90 212 293 82 00
E-mail: info@bibus.com.tr
www.bibus.com.tr

 *Ukraine*

BIBUS Ukraine TOV

Ul. Mashinobudivnykiv 5a
UA-08162 Chabany, Kyiv region
Tel. +380 44 545 44 04
E-mail: info@bibus.com.ua
www.bibus.com.ua

 *Vietnam*

BIBUS Vietnam Co Ltd.

80 NGUYEN Tât Thanh Street, District 4
Ho Chi Minh City
Tel. +84 4 626 164 11
E-mail: info@bibus.vn
www.bibus.vn



Passion for quality, excellence in motion.



BIBUS Austria GmbH
Eduard Klinger-Straße 12
A-3423 St. Andrä-Wördern

Tel. +43 2242 33 388
Fax +43 2242 33 388 10
info@bibus.at

All designs, dimensions and specifications are subject
to change without notice. © jiecang 2013