

## Pi48-2



- ▶ Two-stage COAX® cartridge - MIDI - with small mounting dimension for limited spaces.
- ▶ Vacuum level to 90 -kPa at low feed pressure.
- ▶ High system reliability in case of fluctuating or low feed pressure.
- ▶ Efficient generator of blow-air, recommended for overpressures between 0.05 and 0.14 MPa.

### TECHNICAL DATA

| Description         | Unit | Value           |
|---------------------|------|-----------------|
| Feed pressure, max. | MPa  | 0.7             |
| Temperature range   | °C   | -10-80          |
| Weight              | g    | 27-57           |
| Material            |      | Al, NBR, PA, SS |

### VACUUM FLOW

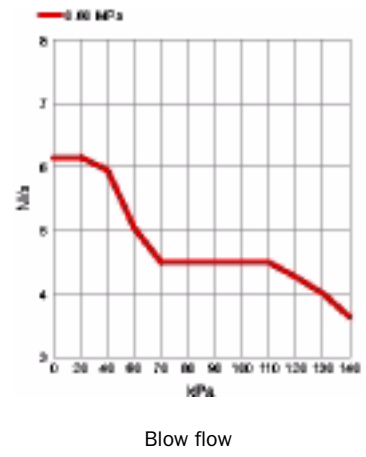
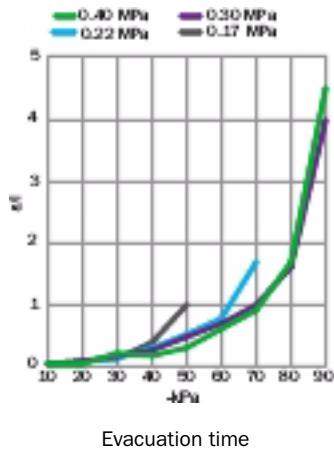
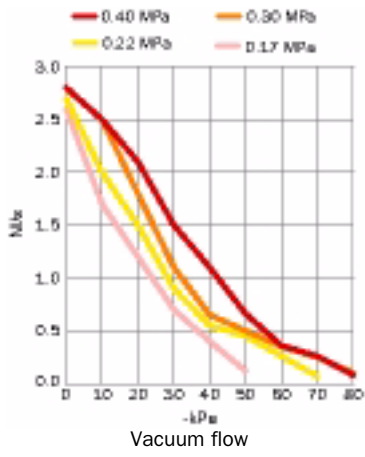
| Feed pressure<br>MPa | Air consumption<br>NI/s | Vacuum flow (NI/s) at different vacuum levels (-kPa) |     |     |      |      |      |      |      |      |    | Max vacuum<br>-kPa |
|----------------------|-------------------------|--|-----|-----|------|------|------|------|------|------|----|--------------------|
|                      |                         | 0  | 10  | 20  | 30   | 40   | 50   | 60   | 70   | 80   | 90 |                    |
| 0.17                 | 1.37                    | 2.6  | 1.7 | 1.2 | 0.70 | 0.40 | 0.12 | —    | —    | —    | —  | 55                 |
| 0.22                 | 1.62                    | 2.7  | 2.0 | 1.5 | 0.90 | 0.55 | 0.45 | 0.26 | 0.07 | —    | —  | 73                 |
| 0.30                 | 2.0                     | 2.8  | 2.5 | 1.8 | 1.1  | 0.65 | 0.50 | 0.35 | 0.25 | 0.1  | —  | 90                 |
| 0.40                 | 2.54                    | 2.8  | 2.5 | 2.1 | 1.5  | 1.1  | 0.66 | 0.36 | 0.26 | 0.08 | —  | 86                 |

### EVACUATION TIME

| Feed pressure<br>MPa | Air consumption<br>NI/s | Evacuation time (s/l) to reach different vacuum levels (-kPa) |       |      |      |      |      |      |     |     |   | Max vacuum<br>-kPa |
|----------------------|-------------------------|---|-------|------|------|------|------|------|-----|-----|---|--------------------|
|                      |                         | 10  | 20    | 30   | 40   | 50   | 60   | 70   | 80  | 90  |   |                    |
| 0.17                 | 1.37                    | 0.040   | 0.10  | 0.20 | 0.40 | 1.0  | —    | —    | —   | —   | — | 55                 |
| 0.22                 | 1.62                    | 0.035   | 0.090 | 0.18 | 0.32 | 0.51 | 0.80 | 1.7  | —   | —   | — | 73                 |
| 0.30                 | 2.0                     | 0.030   | 0.070 | 0.13 | 0.26 | 0.46 | 0.70 | 1.0  | 1.6 | 4.0 | — | 90                 |
| 0.40                 | 2.54                    | 0.030   | 0.065 | 0.12 | 0.19 | 0.30 | 0.60 | 0.90 | 1.7 | 4.5 | — | 86                 |

### BLOW FLOW

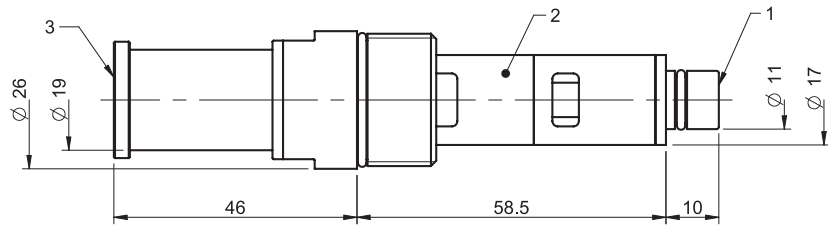
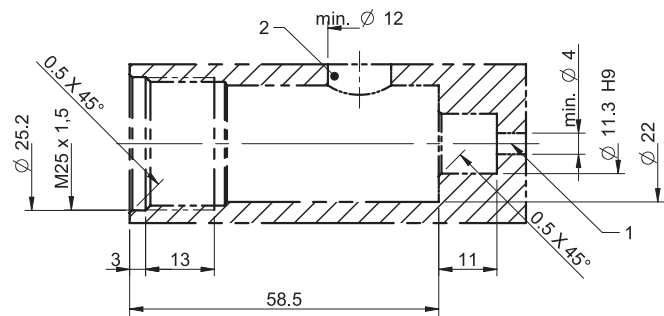
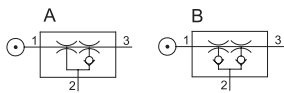
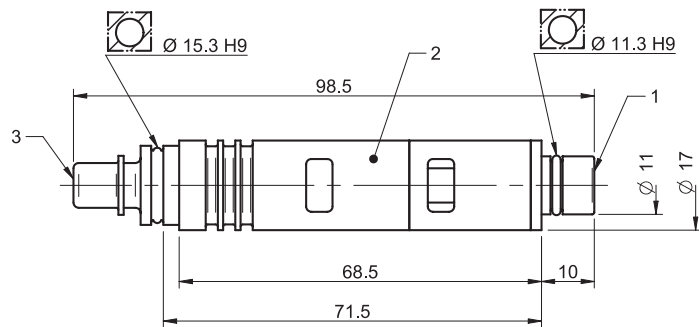
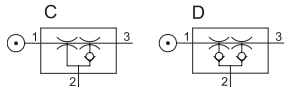
| Feed pressure<br>MPa | Air consumption<br>NI/s | Blow flow (NI/s) at different pressure levels (kPa) |     |     |     |     |     |     |     |     |     |     |     | Max pressure<br>kPa |
|----------------------|-------------------------|---|-----|-----|-----|-----|-----|-----|-----|-----|-----|-----|-----|---------------------|
|                      |                         | 0   | 20  | 40  | 60  | 70  | 80  | 90  | 100 | 110 | 120 | 130 | 140 |                     |
| 0.6                  | 3.5                     | 6.1   | 6.1 | 5.9 | 5.0 | 4.4 | 4.4 | 4.4 | 4.4 | 4.4 | 4.2 | 4.0 | 3.6 | 140                 |
|                      |                         | 5   | 5   | 5   | 3   | 9   | 9   | 9   | 9   | 9   | 6   |     | 3   |                     |



COAX® cartridge MIDI

## ORDERING INFORMATION

|   | Description  | Art. No. |
|---|--|----------|
| C | COAX® cartridge MIDI Pi48-2                                      | 0107125  |
| A | COAX® cartridge MIDI Pi48-2, holding cap                         | 0107127  |
| D | COAX® cartridge MIDI Pi48-2, extra non-return valve              | 0107710  |
| B | COAX® cartridge MIDI Pi48-2, holding cap, extra non-return valve | 0107712  |



## ORDERING INFORMATION, ACCESSORIES

| Description         | Art. No. |
|---------------------|----------|
| Silencer COAX® MIDI | 0111976  |