

Si32-2



- ▶ Two-stage COAX® cartridge - MIDI - with small mounting dimension for limited spaces.
- ▶ Large vacuum flow in relation to energy consumption.
- ▶ Suitable for high-volume evacuation when handling porous materials or if surface leakage is present.
- ▶ Efficient generator of blow-air. Recommended for low overpressures (0 - 0.05 MPa).

TECHNICAL DATA

Description	Unit	Value
Feed pressure, max.	MPa	0.7
Temperature range	°C	-10-80
Weight	g	27-57
Material		Al, NBR, PA, SS

VACUUM FLOW

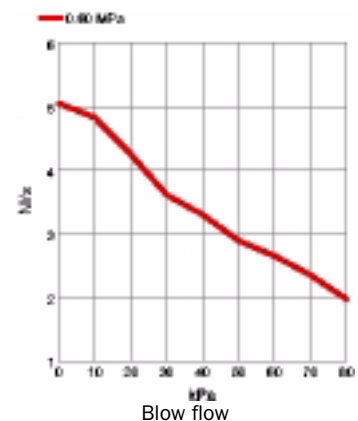
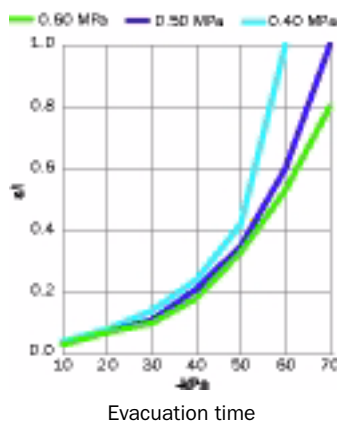
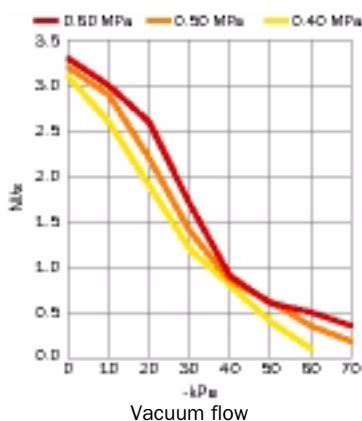
Feed pressure MPa	Air consumption NI/s	Vacuum flow (NI/s) at different vacuum levels (-kPa)								Max vacuum -kPa
		0	10	20	30	40	50	60	70	
0.40	1.25	3.1	2.6	1.9	1.2	0.80	0.40	0.1	—	60
0.50	1.50	3.2	2.9	2.2	1.4	0.85	0.62	0.35	0.18	70
0.60	1.75	3.3	3.0	2.6	1.7	0.90	0.60	0.50	0.35	75

EVACUATION TIME

Feed pressure MPa	Air consumption NI/s	Evacuation time (s/l) to reach different vacuum levels (-kPa)							Max vacuum -kPa
		10	20	30	40	50	60	70	
0.40	1.25	0.040	0.080	0.14	0.24	0.42	1.0	—	60
0.50	1.50	0.030	0.070	0.11	0.21	0.35	0.60	1.0	70
0.60	1.75	0.030	0.070	0.10	0.18	0.33	0.53	0.80	75

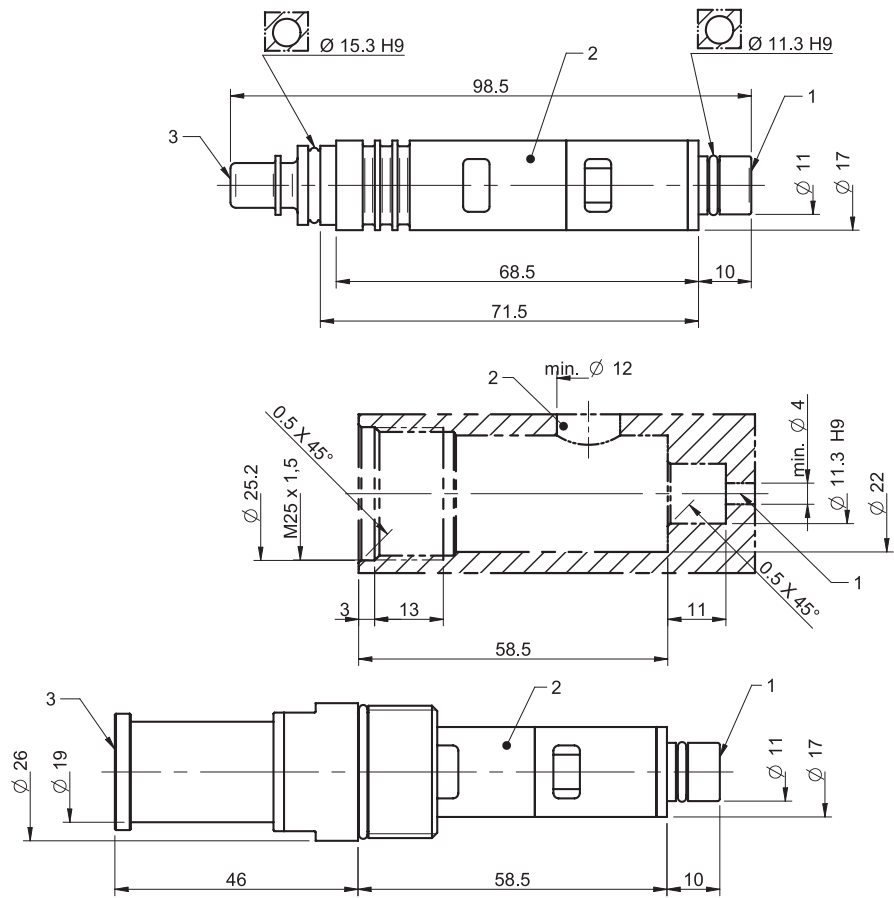
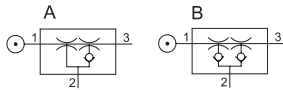
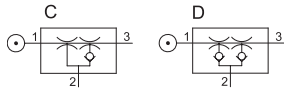
BLOW FLOW

Feed pressure MPa	Air consumption NI/s	Blow flow (NI/s) at different pressure levels (kPa)								Max pressure kPa	
		0	10	20	30	40	50	60	70		80
0.6	1.75	5.05	4.83	4.25	3.61	3.30	2.89	2.65	2.35	1.97	80



ORDERING INFORMATION

	Description	Art. No.
C	COAX® cartridge MIDI Si32-2	0107124
A	COAX® cartridge MIDI Si32-2, holding cap	0107126
D	COAX® cartridge MIDI Si32-2, extra non-return valve	0107709
B	COAX® cartridge MIDI Si32-2, holding cap, extra non-return valve	0107711



COAX® cartridge MIDI

ORDERING INFORMATION, ACCESSORIES

Description	Art. No.
Silencer COAX® MIDI	0111976