

Xi40-2



- ▶ Two-stage COAX® cartridge – MIDI – with small mounting dimensions for limited spaces
- ▶ Deep end vacuum level, 95 -kPa
- ▶ High vacuum flow at deep vacuum levels, 75 to 95 -kPa
- ▶ Quick response time when deep vacuum is needed
- ▶ The all-round characteristics makes it suitable for several types of vacuum applications

TECHNICAL DATA

Description	Unit	Value
Feed pressure, max.	MPa	0.7
Temperature range	°C	-10-80
Weight	g	18,5-54,7
Material		Al, NBR, PA, SS

VACUUM FLOW

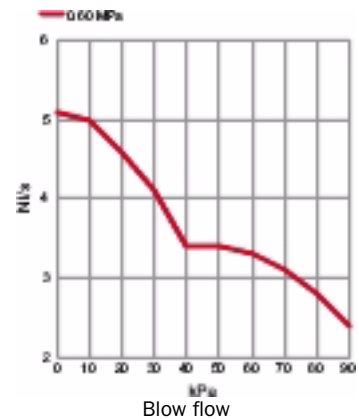
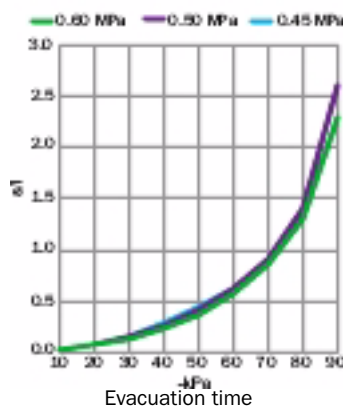
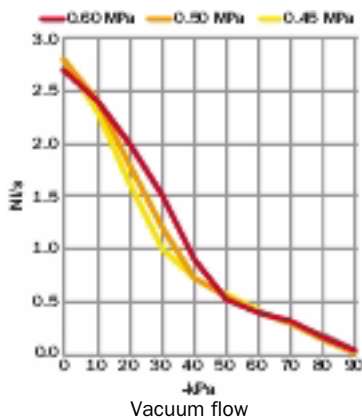
Feed pressure MPa	Air consumption NI/s	Vacuum flow (NI/s) at different vacuum levels (-kPa)											Max vacuum -kPa
		0	10	20	30	40	50	60	70	80	90		
0.45	1.83	2.8	2.3	1.6	1.0	0.73	0.58	0.43	0.32	0.18	0.03	95	
0.50	2.0	2.8	2.4	1.8	1.2	0.72	0.54	0.40	0.30	0.14	0.02	94	
0.60	2.33	2.7	2.4	2.0	1.5	0.90	0.52	0.40	0.31	0.16	0.03	94	

EVACUATION TIME

Feed pressure MPa	Air consumption NI/s	Evacuation time (s/l) to reach different vacuum levels (-kPa)										Max vacuum -kPa
		10	20	30	40	50	60	70	80	90		
0.45	1.83	0.04	0.09	0.17	0.28	0.44	0.63	0.90	1.3	2.3	95	
0.50	2.0	0.04	0.09	0.15	0.26	0.42	0.63	0.91	1.4	2.6	94	
0.60	2.33	0.04	0.08	0.14	0.23	0.37	0.58	0.87	1.3	2.3	94	

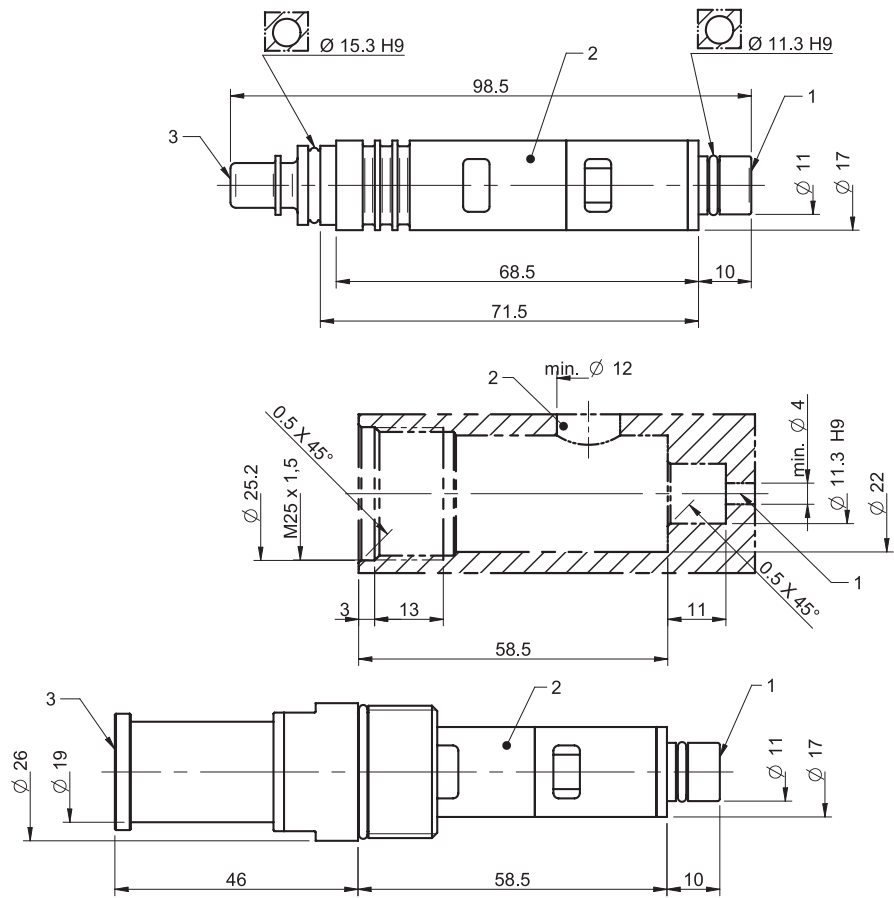
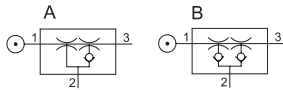
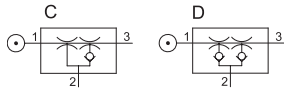
BLOW FLOW

Feed pressure MPa	Air consumption NI/s	Blow flow (NI/s) at different pressure levels (kPa)										Max pressure kPa
		0	10	20	30	40	50	60	70	80	90	
0.6	2.33	5.1	5.0	4.6	4.1	3.4	3.4	3.3	3.1	2.8	2.4	90



ORDERING INFORMATION

	Description	Art. No.
C	COAX® cartridge MIDI Xi40-2	0118747
A	COAX® cartridge MIDI Xi40-2, holding cap	0118757
D	COAX® cartridge MIDI Xi40-2, extra non-return valve	0118748
B	COAX® cartridge MIDI Xi40-2, holding cap, extra non-return valve	0118758



COAX® cartridge MIDI

ORDERING INFORMATION, ACCESSORIES

Description	Art. No.
Silencer COAX® MIDI	0111976