

Pi12-2



- ▶ Two-stage COAX® cartridge - MINI - with small mounting dimensions.
- ▶ Vacuum level to 90 -kPa at low feed pressures.
- ▶ High operational reliability in case of fluctuating or low compressed-air pressure.
- ▶ Suitable for handling sealed objects.

TECHNICAL DATA

Description	Unit	Value
Feed pressure, max.	MPa	0.7
Temperature range	°C	-10-80
Weight	g	2.6-9.7
Material		Al, NBR, PA, SS

VACUUM FLOW

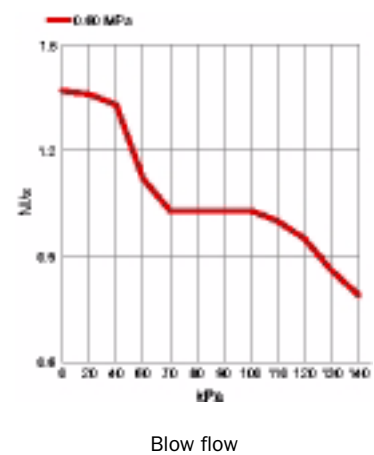
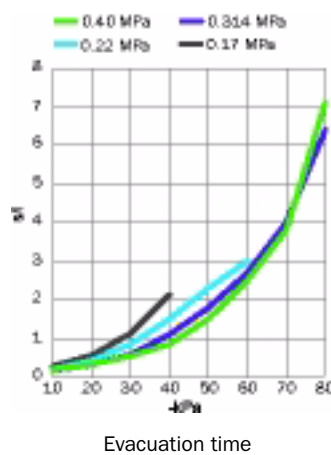
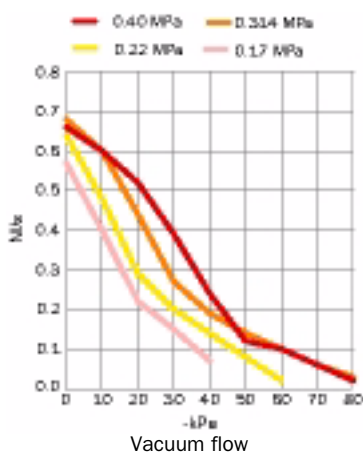
Feed pressure MPa	Air consumption NI/s	Vacuum flow (NI/s) at different vacuum levels (-kPa)										Max vacuum -kPa
		0	10	20	30	40	50	60	70	80		
0.17	0.29	0.57	0.40	0.22	0.15	0.070	—	—	—	—	—	49
0.22	0.34	0.64	0.48	0.29	0.20	0.14	0.080	0.020	—	—	—	64
0.314	0.44	0.68	0.60	0.44	0.27	0.19	0.14	0.10	0.060	0.030	—	90
0.40	0.53	0.66	0.60	0.52	0.39	0.24	0.12	0.10	0.060	0.020	—	84

EVACUATION TIME

Feed pressure MPa	Air consumption NI/s	Evacuation time (s/l) to reach different vacuum levels (-kPa)										Max vacuum -kPa
		10	20	30	40	50	60	70	80			
0.17	0.29	0.28	0.56	1.13	2.13	—	—	—	—	—	—	49
0.22	0.34	0.20	0.42	0.85	1.5	2.3	3.0	—	—	—	—	64
0.314	0.44	0.17	0.32	0.58	1.1	1.8	2.7	4.0	6.4	—	—	90
0.40	0.53	0.18	0.33	0.54	0.85	1.5	2.5	3.8	7.1	—	—	84

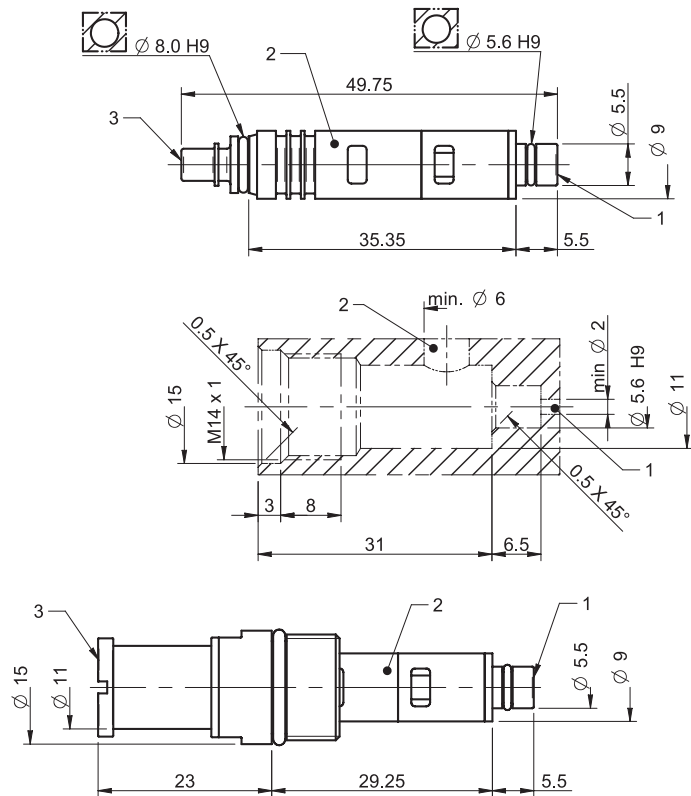
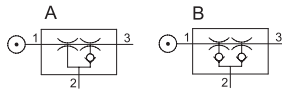
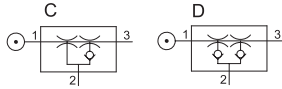
BLOW FLOW

Feed pressure MPa	Air consumption NI/s	Blow flow (NI/s) at different pressure levels (kPa)													Max pressure kPa
		0	20	40	60	70	80	90	100	110	120	130	140		
0.6	0.75	1.37	1.36	1.33	1.12	1.03	1.03	1.03	1.03	1.0	0.95	0.86	0.79	140	



ORDERING INFORMATION

	Description	Art. No.
C	COAX® cartridge MINI Pi12-2	0106922
A	COAX® cartridge MINI Pi12-2, holding cap	0106924
D	COAX® cartridge MINI Pi12-2, extra non-return valve	0106963
B	COAX® cartridge MINI Pi12-2, holding cap, extra non-return valve	0106964



COAX® cartridge MINI

ORDERING INFORMATION, ACCESSORIES

Description	Art. No.
Silencer COAX® MINI	0111977