

Si08-2



- ▶ Two-stage COAX® cartridge - MINI - with small mounting dimensions.
- ▶ Large vacuum flow in relation to energy consumption.
- ▶ Good for handling porous materials or if surface leakage is present.

TECHNICAL DATA

Description	Unit	Value
Feed pressure, max.	MPa	0.7
Temperature range	°C	-10-80
Weight	g	2.8-9.9
Material		Al, NBR, PA, SS

VACUUM FLOW

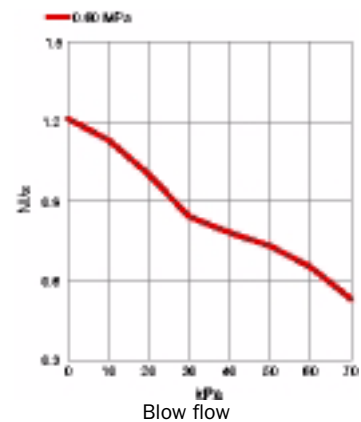
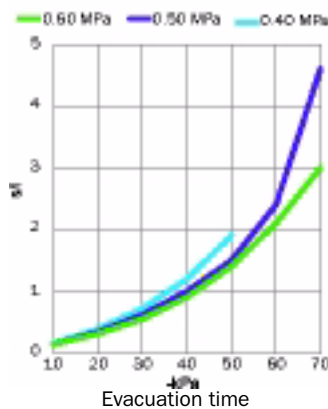
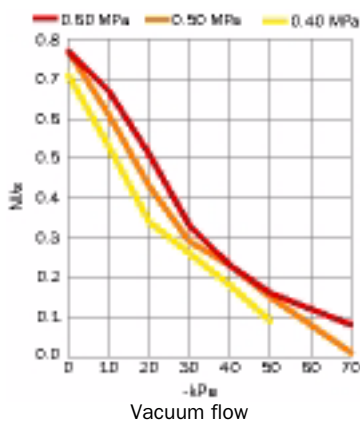
Feed pressure MPa	Air consumption NI/s	Vacuum flow (NI/s) at different vacuum levels (-kPa)									Max vacuum -kPa
		0	10	20	30	40	50	60	70		
0.40	0.31	0.71	0.53	0.34	0.26	0.18	0.09	0.01	—	60	
0.50	0.38	0.77	0.61	0.43	0.29	0.23	0.15	0.08	0.01	70	
0.60	0.44	0.77	0.67	0.51	0.33	0.23	0.16	0.12	0.08	75	

EVACUATION TIME

Feed pressure MPa	Air consumption NI/s	Evacuation time (s/l) to reach different vacuum levels (-kPa)								Max vacuum -kPa
		10	20	30	40	50	60	70		
0.40	0.31	0.16	0.39	0.72	1.2	1.9	3.9	—	60	
0.50	0.38	0.14	0.34	0.62	1.0	1.5	2.4	4.6	70	
0.60	0.44	0.14	0.31	0.55	0.9	1.4	2.1	3.1	75	

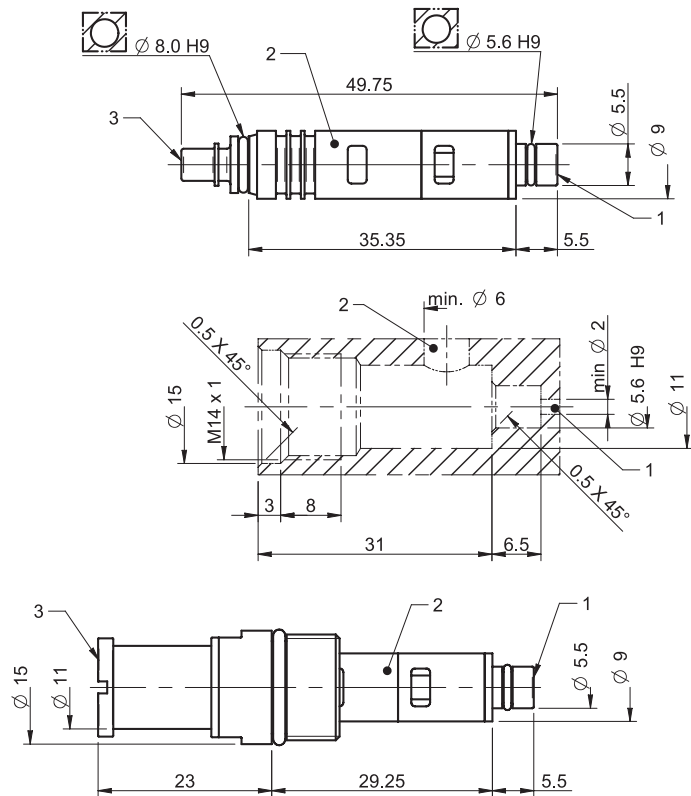
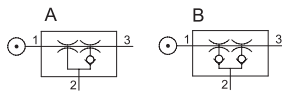
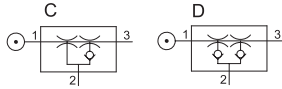
BLOW FLOW

Feed pressure MPa	Air consumption NI/s	Blow flow (NI/s) at different pressure levels (kPa)								Max pressure kPa
		0	10	20	30	40	50	60	70	
0.60	0.44	1.21	1.13	1.0	0.84	0.78	0.73	0.65	0.53	70



ORDERING INFORMATION

Description	Art. No.
C COAX® cartridge MINI SiO8-2	0113583
A COAX® cartridge MINI SiO8-2, holding cap	0113585
D COAX® cartridge MINI SiO8-2, extra non-return valve	0113587
B COAX® cartridge MINI SiO8-2, holding cap, extra non-return valve	0113589



COAX® cartridge MINI

ORDERING INFORMATION, ACCESSORIES

Description	Art. No.
Silencer COAX® MINI	0111977