

## Xi10-2



- ▶ Two-stage COAX® cartridge - MINI - with small mounting dimensions.
- ▶ High vacuum flow at deep vacuum levels to 94 – kPa.
- ▶ Large vacuum flow in relation to energy consumption.
- ▶ Quick response time when deep vacuum is needed.
- ▶ Good for handling sealed materials.

### TECHNICAL DATA

Description	Unit	Value
Feed pressure, max.	MPa	0.7
Temperature range	°C	-10-80
Weight	g	2.6-9.7
Material		Al, NBR, PA, SS

### VACUUM FLOW

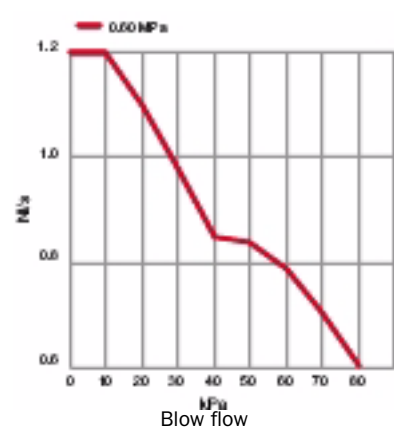
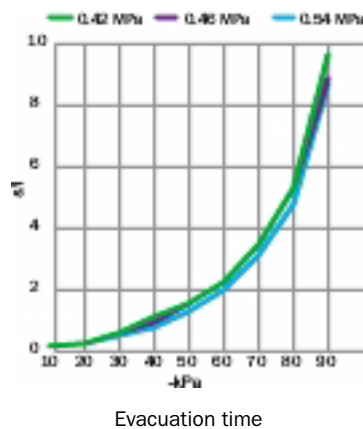
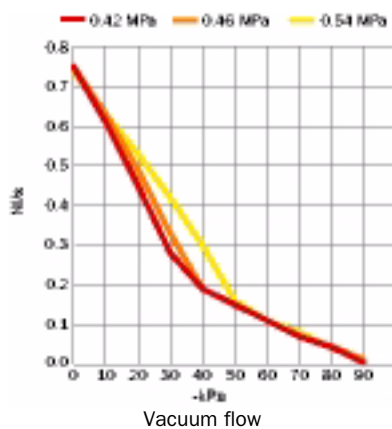
Feed pressure MPa	Air consumption NI/s	Vacuum flow (NI/s) at different vacuum levels (-kPa)										Max vacuum -kPa
		0	10	20	30	40	50	60	70	80	90	
0.45	0.42	0.75	0.61	0.45	0.28	0.19	0.15	0.11	0.07	0.043	0.003	92
0.5	0.46	0.75	0.63	0.49	0.33	0.19	0.15	0.11	0.07	0.045	0.011	94
0.6	0.54	0.74	0.63	0.53	0.42	0.30	0.16	0.11	0.08	0.041	0.010	93

### EVACUATION TIME

Feed pressure MPa	Air consumption NI/s	Evacuation time (s/l) to reach different vacuum levels (-kPa)										Max vacuum -kPa
		10	20	30	40	50	60	70	80	90		
0.45	0.42	0.15	0.3	0.6	1.1	1.6	2.3	3.5	5.3	9.6	92	
0.5	0.46	0.14	0.3	0.6	1.0	1.6	2.3	3.5	5.3	8.9	94	
0.6	0.54	0.15	0.3	0.5	0.8	1.3	2.0	3.1	4.8	8.7	93	

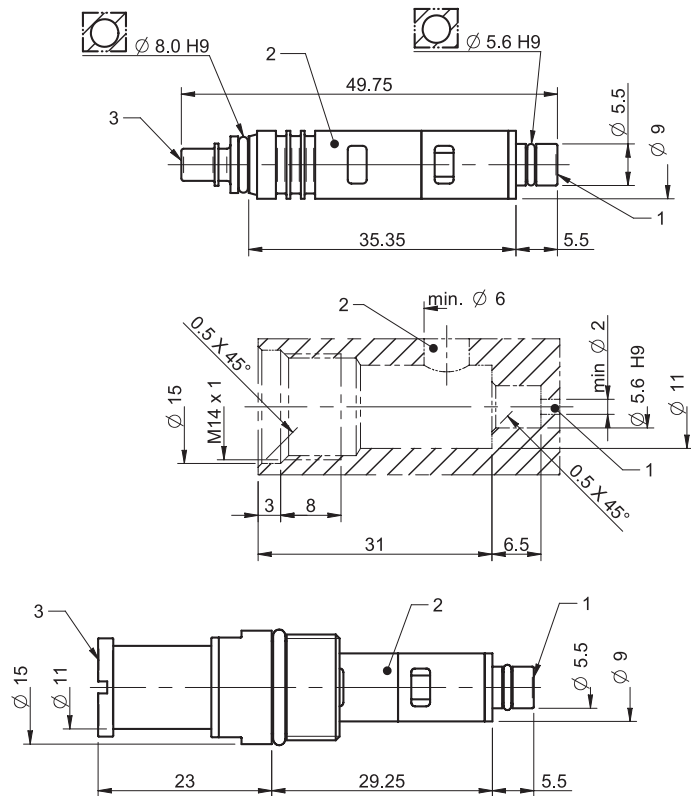
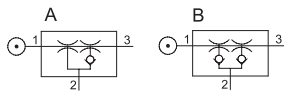
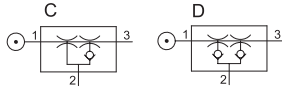
### BLOW FLOW

Feed pressure MPa	Air consumption NI/s	Blow flow (NI/s) at different pressure levels (kPa)										Max pressure kPa
		0	10	20	30	40	50	60	70	80		
0.6	0.54	1.2	1.2	1.1	0.98	0.85	0.84	0.79	0.71	0.61	90	



## ORDERING INFORMATION

	Description	Art. No.
C	COAX® cartridge MINI Xi10-2	0120284
A	COAX® cartridge MINI Xi10-2, holding cap	0120294
D	COAX® cartridge MINI Xi10-2, extra non-return valve	0120280
B	COAX® cartridge MINI Xi10-2, holding cap, extra non-return valve	0120300



COAX® cartridge MINI

## ORDERING INFORMATION, ACCESSORIES

Description	Art. No.
Silencer COAX® MINI	0111977