

## BL50-3P



### SUCTION CUP SPECIALLY DESIGNED FOR PLASTIC BAG HANDLING

- ▶ High-flow fitting allowing high initial vacuum flow needed for plastic bag handling.
- ▶ Suitable for level adjustment and uneven surfaces.
- ▶ Dual hardness allowing strength and stability in conjunction with softness and flexibility.
- ▶ DURAFLEX® material features the elasticity of rubber in combination with the wear resistance of polyurethane.
- ▶ The DURAFLEX® material is mark-free.

### LIFTING FORCES & TECHNICAL DATA

Lifting force vertical to the surface, N, at vacuum level			Lifting force parallel to the surface, N, at vacuum level			Volume	Min. curve radius	Max. vertical movement	Weight rubber part
20 -kPa	60 -kPa	90 -kPa	20 -kPa	60 -kPa	90 -kPa	cm <sup>3</sup>	mm	mm	g
24	60	75	22*	49*	60*	54	16	26	24

\*The suction cup is not intended for handling shear lifts. The values are given as a dimensioning guide to be used when, e.g., the acceleration/retardation causes shear forces.

### MATERIAL SPECIFICATIONS

Material	Colour	Hardness °Shore A	Temperature range °C
Polyurethane, PU30	Yellow	30	10–50
Polyurethane, PU70	Black	70	10–50

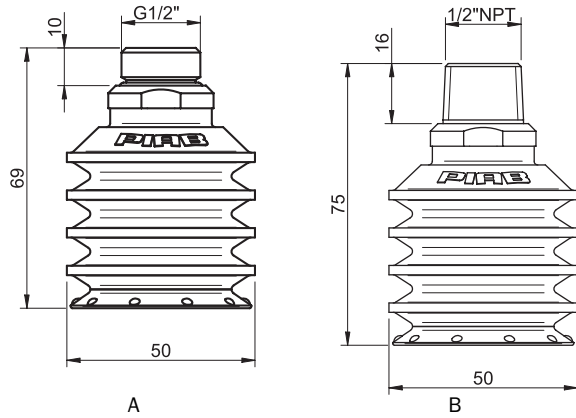
### MATERIAL RESISTANCE

Wear resistance	Oil	Weather & ozone	Hydrolysis	Petrol	Concentrated acids	Ethanol	Methanol	Oxidation
Excellent	Excellent	Excellent	Fair**	Fair	Fair**	Fair	Poor	Poor

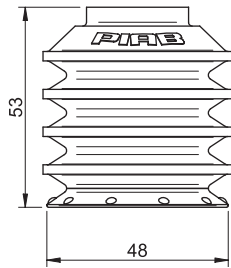
\*\*Please contact PIAB.

## ORDERING INFORMATION

Complete suction cup		Art. No.
A	Suction cup BL50-3P Polyurethane 30/70, G1/2" male	0113745
B	Suction cup BL50-3P Polyurethane 30/70, 1/2" NPT male	0113746



Rubber part		Art. No.
Suction cup BL50-3P Polyurethane 30/70		0112641



Fitting		Art. No.
Fitting G1/2" male, bag		0113117
Fitting 1/2" NPT male, bag		0113140

Suction cups  
BL-P