

## FILTER REGULATORS



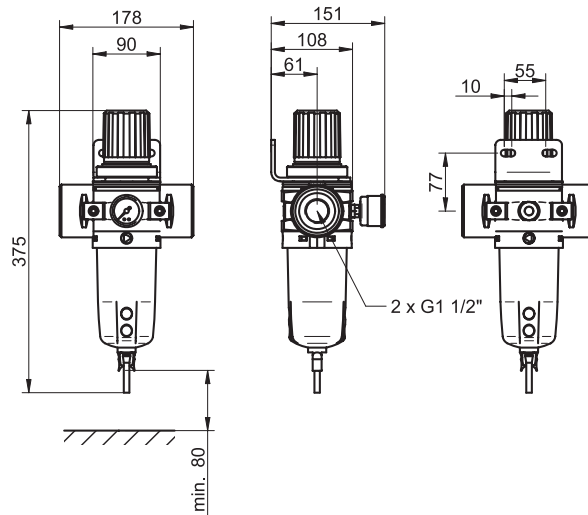
- ▶ Regulator for optimising feed pressure level, high flow capacity.
- ▶ Separates particles and condensation from the compressed air.
- ▶ Reduces the risk of operation breakdown or stoppage of the pump.
- ▶ Replaceable filter element.
- ▶ Manometer for feed pressure control.

### TECHNICAL DATA, SPECIFIC

Description	Unit	Value		
		0109896	0109897	0113033
Feed pressure, max.	MPa	1,6	1,75	1,75
Temperature range	°C	0-50	-10-50	-10-50
Weight	g	750	1500	2200
Connection		G1/2"	G1"	G1½"
Flow, @ P <sub>1</sub> =0,8 & P <sub>2</sub> =0,7	NI/s	30	100	133
Particle size, min.	µm	5	5	30
Dimension, WxDxH	mm	65x135x253	88,5x151x346	178x151x375

## ORDERING INFORMATION

Description	Art. No.
Filter regulator 1/2"	0109896
Filter regulator 1"	0109897
Filter regulator 1 1/2"	0113033



## ORDERING INFORMATION, ACCESSORIES

Description	Art. No.
Filter element 1/2"	0121243
Filter element 1"	0121244
Filter element 1 1/2"	0113052