

MLL1200



► Largest compressed-air driven pump in the market

Supplied with built-in silencer, on-off valve, vacuum gauge and pilot control facility.

TECHNICAL DATA

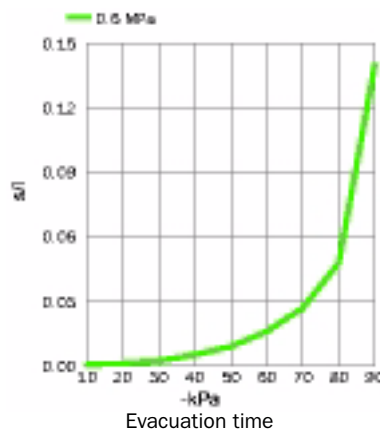
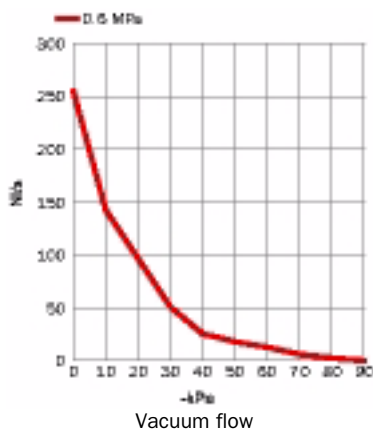
Description	Unit	Value
Feed pressure, max.	MPa	0.7
Noise level	dB(A)	72-76
Temperature range	°C	-20-80
Weight	g	9000-9900
Material		Al, PPS, NBR, SS

VACUUM FLOW

Feed pressure MPa	Air consumption NI/s	Vacuum flow (NI/s) at different vacuum levels (-kPa)										Max vacuum -kPa
		0	10	20	30	40	50	60	70	80	90	
0.60	84	255	143	97	51	26	17.9	12.8	6.1	2.6	0.050	91

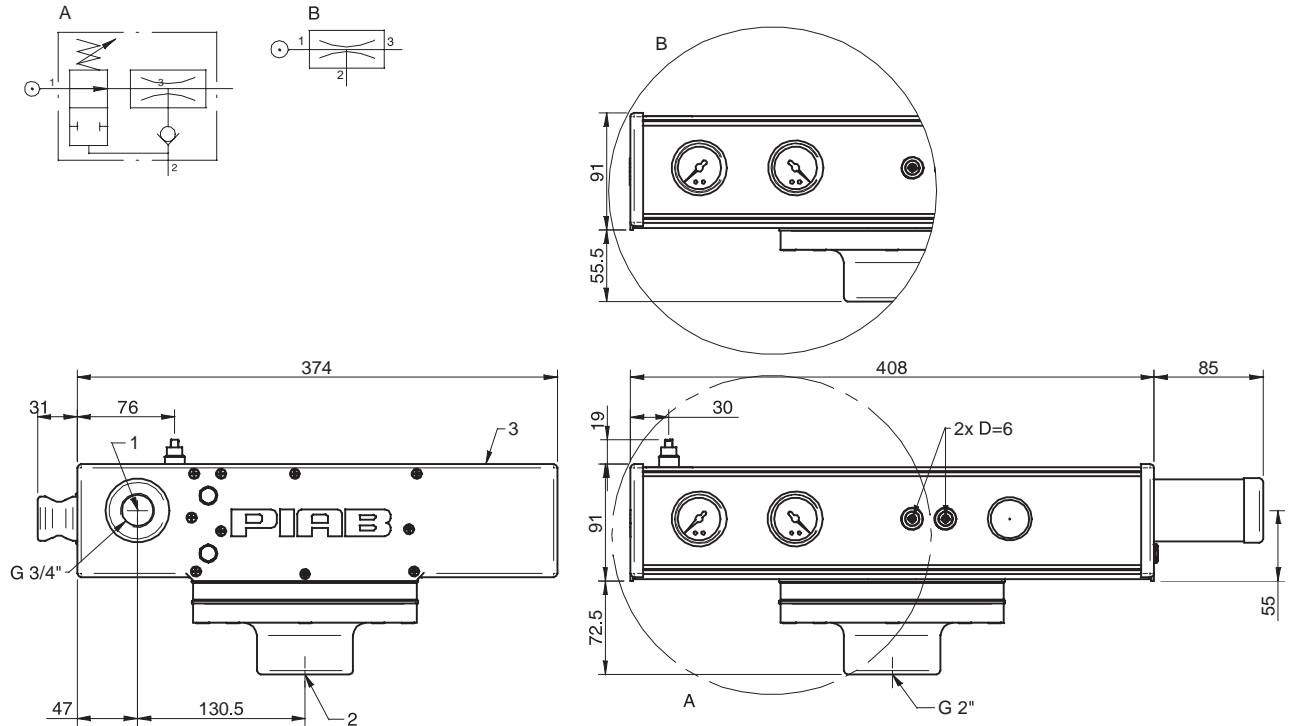
EVACUATION TIME

Feed pressure MPa	Air consumption NI/s	Evacuation time (s/l) to reach different vacuum levels (-kPa)									Max vacuum -kPa
		10	20	30	40	50	60	70	80	90	
0.60	84	0.0005	0.0012	0.0023	0.0052	0.009	0.016	0.027	0.048	0.14	91



ORDERING INFORMATION

	Description	Art. No.
A	Vacuum pump MAXI MLL1200, NBR sealings, ES	0100744
B	Vacuum pump MAXI MLL1200, NBR sealings	3101059



Vacuum pumps
MAXI

ORDERING INFORMATION, ACCESSORIES

Description	Art. No.
Sealing kit MAXI MLL1200, NBR	3101099
Sealing kit MAXI MLL1200, Viton®	3101099V
Sealing kit MAXI MLL1200, EPDM	3101099E

The sealing kits include flap valves and gaskets.