

L14



- ▶ Large vacuum flows
- ▶ Small size and low weight
- ▶ Good for handling porous materials or if leakage is present
- ▶ Available with connection plate in aluminium (B1) and composite PA (B, C)

Supplied with push-in hose connector for compressed air (for pumps with connection plate B).
 Supplied with push-in hose connector for compressed air and external through-flow silencer (for pumps with connection plate C).

TECHNICAL DATA

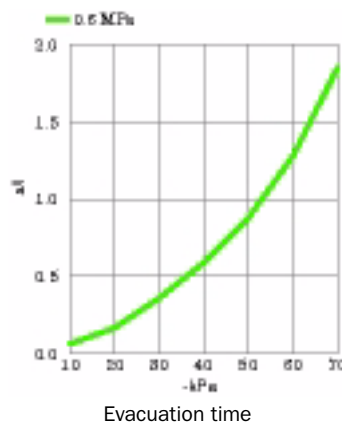
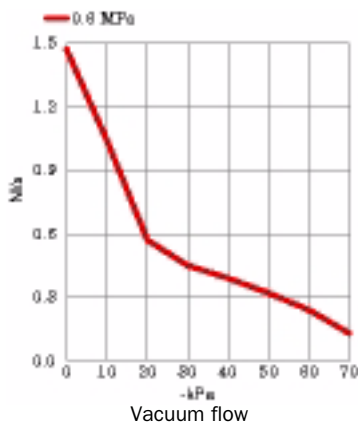
Description	Unit	Value
Feed pressure, max.	MPa	0.7
Noise level	dBA	57-68
Temperature range	°C	-20-80
Weight	g	35-60
Material		Al, ABS, PA, POM, SS, NBR

VACUUM FLOW

Feed pressure MPa	Air consumption NI/s	Vacuum flow (NI/s) at different vacuum levels (-kPa)										Max vacuum -kPa
		0	10	20	30	40	50	60	70	80	90	
0.60	0.98	1.5	1.0	0.57	0.45	0.39	0.32	0.24	0.13	-	-	75

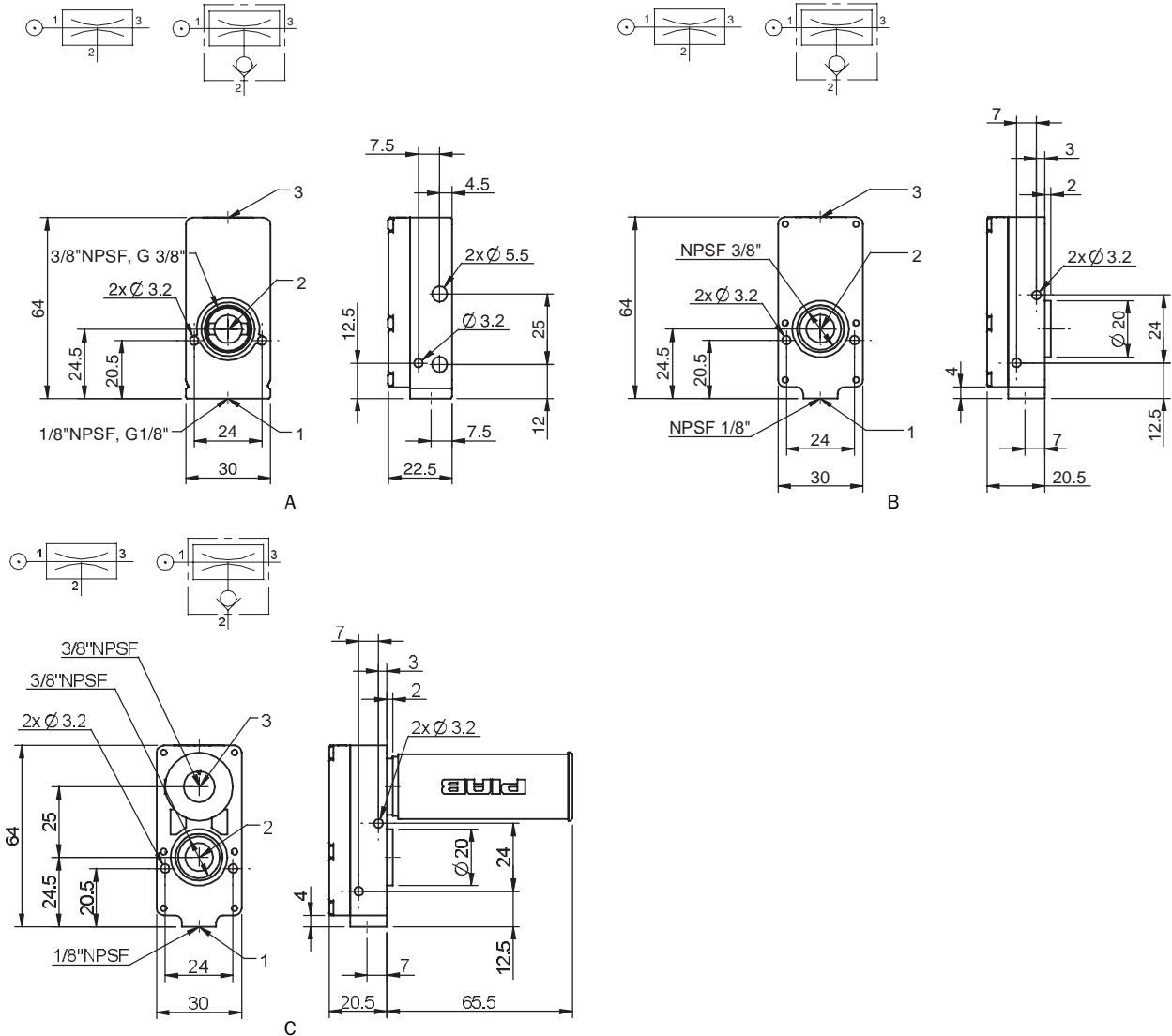
EVACUATION TIME

Feed pressure MPa	Air consumption NI/s	Evacuation time (s/l) to reach different vacuum levels (-kPa)										Max vacuum -kPa
		10	20	30	40	50	60	70	80	90		
0.60	0.98	0.064	0.17	0.36	0.59	0.88	1.3	1.8	-	-	75	



ORDERING INFORMATION

Description	Art. No.
A Vacuum pump MINI L14, conn. B1, NBR sealings	0102831
A Vacuum pump MINI L14, conn. B1, NBR sealings, non-return valve	0102832
B Vacuum pump MINI L14, conn. B, NBR sealings	0103055
B Vacuum pump MINI L14, conn. B, NBR sealings, non-return valve	0103056
C Vacuum pump MINI L14, conn. C, NBR sealings	0102743
C Vacuum pump MINI L14, conn. C, NBR sealings, non-return valve	0102744



Vacuum pumps
MINI

ORDERING INFORMATION, ACCESSORIES

Description	Art. No.
Sealing kit MINI 5–28, NBR	3201097
Sealing kit MINI 5–28, Viton®	3201097V
Sealing kit MINI 5–28, EPDM	3201097E

Sealing kits include flap valves, gaskets and compressed-air filters.