

L7



- ▶ Large vacuum flows
- ▶ Small size and low weight
- ▶ Good for handling porous materials or if leakage is present

Supplied with compressed-air hose connector.

TECHNICAL DATA

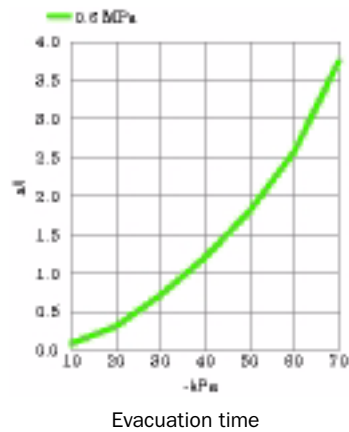
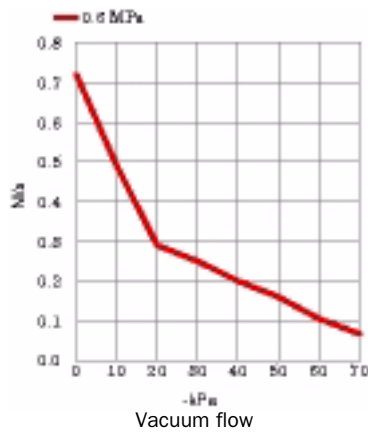
Description	Unit	Value
Feed pressure, max.	MPa	0.7
Noise level	dBA	57–68
Temperature range	°C	-20–80
Weight	g	30
Material		PA, POM, NBR, SS

VACUUM FLOW

Feed pressure MPa	Air consumption NI/s	Vacuum flow (NI/s) at different vacuum levels (-kPa)											Max vacuum -kPa
		0	10	20	30	40	50	60	70	80	90		
0.60	0.49	0.72	0.49	0.29	0.25	0.20	0.16	0.10	0.067	–	–	75	

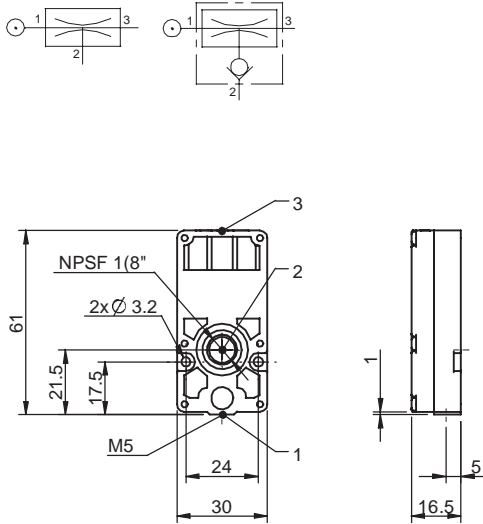
EVACUATION TIME

Feed pressure MPa	Air consumption NI/s	Evacuation time (s/l) to reach different vacuum levels (-kPa)										Max vacuum -kPa
		10	20	30	40	50	60	70	80	90		
0.60	0.49	0.093	0.31	0.72	1.2	1.8	2.6	3.8	–	–	75	



ORDERING INFORMATION

Description	Art. No.
Vacuum pump MINI L7, conn. A, NBR sealings	0102853
Vacuum pump MINI L7, conn. A, NBR sealings, non-return valve	0102854



ORDERING INFORMATION, ACCESSORIES

Description	Art. No.
Sealing kit MINI 5-28, NBR	3201097
Sealing kit MINI 5-28, Viton®	3201097V
Sealing kit MINI 5-28, EPDM	3201097E

Sealing kits include flap valves, gaskets and compressed-air filters.

Vacuum pumps
MINI