

M20L



- ▶ Medium vacuum levels to 90 -kPa
- ▶ Small size and low weight
- ▶ Operates at only 0.38 MPa
- ▶ Available with connection plate in aluminium (B1) and composite PA (B, C)

Supplied with push-in hose connector for compressed air (for pumps with connection plate B).
 Supplied with push-in hose connector for compressed air and external through-flow silencer (for pumps with connection plate C).

TECHNICAL DATA

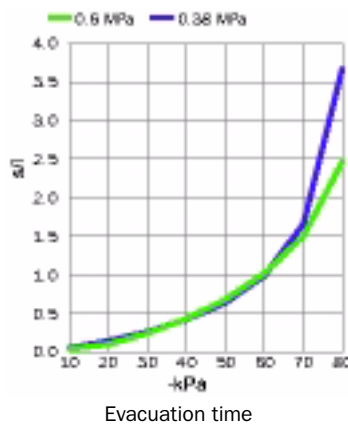
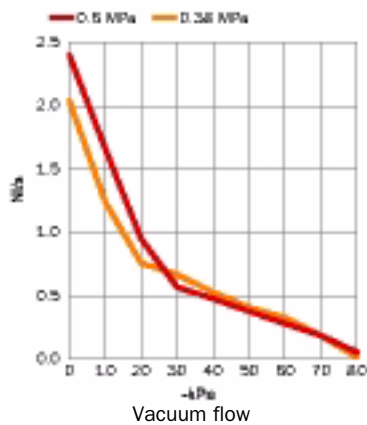
Description	Unit	Value
Feed pressure, max.	MPa	0.7
Noise level	dBA	57-68
Temperature range	°C	-20-80
Weight	g	60-74
Material		Al, ABS, PA, POM, SS, NBR

VACUUM FLOW

Feed pressure MPa	Air consumption NI/s	Vacuum flow (NI/s) at different vacuum levels (-kPa)											Max vacuum -kPa
		0	10	20	30	40	50	60	70	80	90		
0.60	2.2	2.4	1.7	0.95	0.57	0.48	0.38	0.29	0.19	0.060	-	84	
0.38	1.5	2.0	1.2	0.76	0.67	0.53	0.41	0.33	0.19	0.020	-	81	

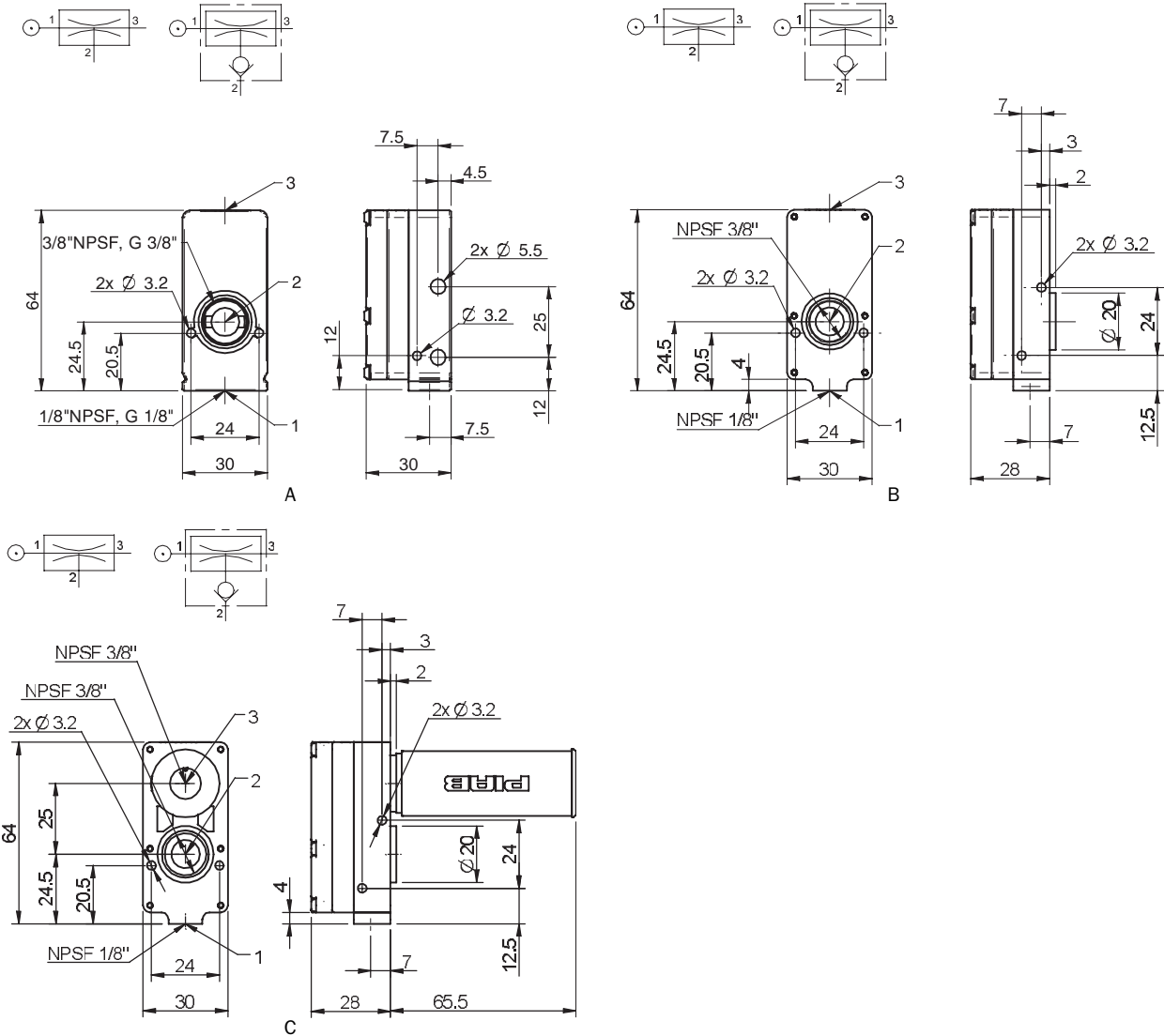
EVACUATION TIME

Feed pressure MPa	Air consumption NI/s	Evacuation time (s/l) to reach different vacuum levels (-kPa)										Max vacuum -kPa
		10	20	30	40	50	60	70	80	90		
0.60	2.2	0.038	0.10	0.24	0.43	0.68	1.0	1.5	2.5	-	84	
0.38	1.5	0.052	0.14	0.26	0.42	0.64	1.0	1.7	3.7	-	81	



ORDERING INFORMATION

Description	Art. No.
A Vacuum pump MINI M20L, conn. B1, NBR sealings	0102839
A Vacuum pump MINI M20L, conn. B1, NBR sealings, non-return valve	0102840
B Vacuum pump MINI M20L, conn. B, NBR sealings	0103079
B Vacuum pump MINI M20L, conn. B, NBR sealings, non-return valve	0103080
C Vacuum pump MINI M20L, conn. C, NBR sealings	0102767
C Vacuum pump MINI M20L, conn. C, NBR sealings, non-return valve	0102768



Vacuum pumps
MINI

ORDERING INFORMATION, ACCESSORIES

Description	Art. No.
Sealing kit MINI 5-28, NBR	3201097
Sealing kit MINI 5-28, Viton®	3201097V
Sealing kit MINI 5-28, EPDM	3201097E

Sealing kits include flap valves, gaskets and compressed-air filters.