

M40L



- ▶ Medium vacuum levels to 90 -kPa
- ▶ Small size and low weight
- ▶ Operates at only 0.38 MPa

Supplied with two through-flow silencers.

TECHNICAL DATA

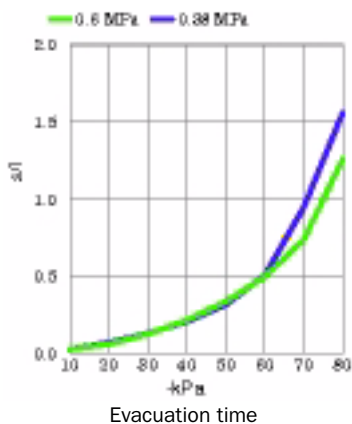
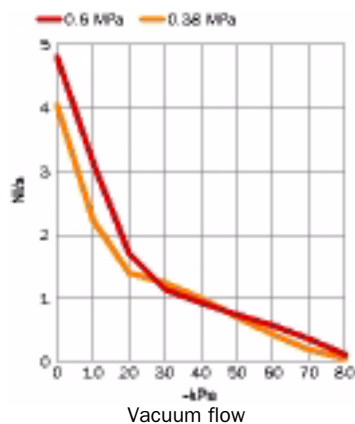
| Description | Unit | Value |
|---------------------|------|---------------------------|
| Feed pressure, max. | MPa | 0.7 |
| Noise level | dBA | 57-68 |
| Temperature range | °C | -20-80 |
| Weight | g | 420 |
| Material | | Al, PA, POM, NBR, ABS, SS |

VACUUM FLOW

| Feed pressure MPa | Air consumption NI/s | Vacuum flow (NI/s) at different vacuum levels (-kPa) | | | | | | | | | | | Max vacuum -kPa |
|----------------------|-------------------------|--|-----|-----|-----|------|------|------|------|-------|----|----|--------------------|
| | | 0 | 10 | 20 | 30 | 40 | 50 | 60 | 70 | 80 | 90 | | |
| 0.60 | 4.4 | 4.8 | 3.1 | 1.7 | 1.1 | 0.93 | 0.74 | 0.57 | 0.36 | 0.11 | - | 84 | |
| 0.38 | 3.0 | 4.0 | 2.2 | 1.4 | 1.2 | 1.0 | 0.71 | 0.43 | 0.19 | 0.050 | - | 81 | |

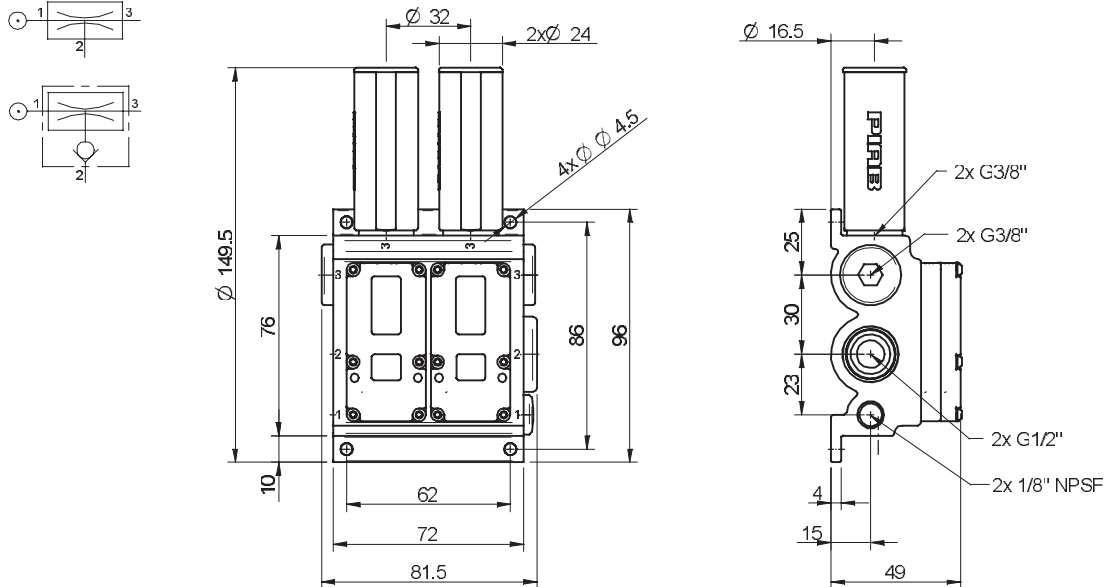
EVACUATION TIME

| Feed pressure MPa | Air consumption NI/s | Evacuation time (s/l) to reach different vacuum levels (-kPa) | | | | | | | | | | Max vacuum -kPa |
|----------------------|-------------------------|---|-------|------|------|------|------|------|-----|----|----|--------------------|
| | | 10 | 20 | 30 | 40 | 50 | 60 | 70 | 80 | 90 | | |
| 0.60 | 4.4 | 0.031 | 0.064 | 0.13 | 0.22 | 0.34 | 0.50 | 0.70 | 1.3 | - | 84 | |
| 0.38 | 3.0 | 0.030 | 0.074 | 0.13 | 0.21 | 0.32 | 0.50 | 0.95 | 1.6 | - | 81 | |



ORDERING INFORMATION

| Description | Art. No. |
|--|----------|
| Vacuum pump MINI M40L, conn. K, NBR sealings | 0102805 |
| Vacuum pump MINI M40L, conn. K, NBR sealings, non-return valve | 0102806 |



ORDERING INFORMATION, ACCESSORIES

| Description | Art. No. |
|--------------------------------|----------|
| Sealing kit MINI 30–60, NBR | 0100491 |
| Sealing kit MINI 30–60, Viton® | 0100491V |

Sealing kits include flap valves, gaskets and compressed air filters.

Vacuum pumps
MINI