

M5L



- ▶ Medium vacuum levels to 90 -kPa
- ▶ Small size and low weight
- ▶ Operates at only 0.38 MPa

Supplied with compressed-air hose connector.

TECHNICAL DATA

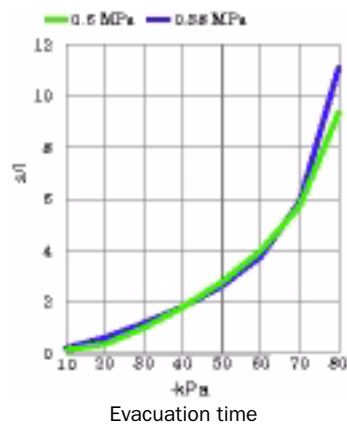
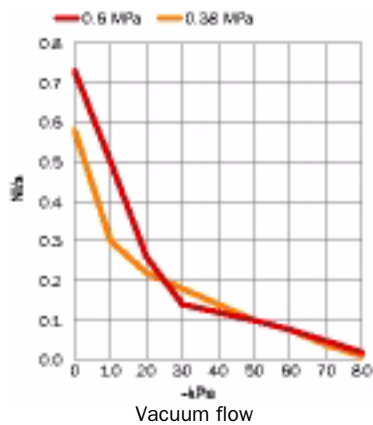
Description	Unit	Value
Feed pressure, max.	MPa	0.7
Noise level	dBA	57–68
Temperature range	°C	-20–80
Weight	g	30
Material		PA, POM, NBR, SS

VACUUM FLOW

Feed pressure MPa	Air consumption NI/s	Vacuum flow (NI/s) at different vacuum levels (-kPa)											Max vacuum -kPa
		0	10	20	30	40	50	60	70	80	90		
0.60	0.55	0.73	0.50	0.26	0.14	0.12	0.10	0.080	0.050	0.020	–	84	
0.38	0.38	0.58	0.30	0.22	0.18	0.14	0.10	0.080	0.040	0.010	–	81	

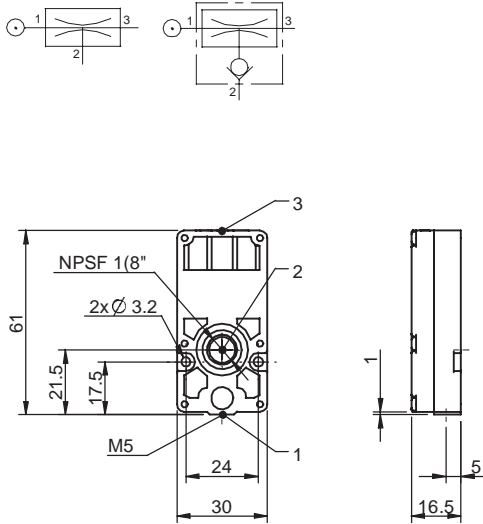
EVACUATION TIME

Feed pressure MPa	Air consumption NI/s	Evacuation time (s/l) to reach different vacuum levels (-kPa)										Max vacuum -kPa
		10	20	30	40	50	60	70	80	90		
0.60	0.55	0.13	0.36	1.0	1.8	2.8	4.0	5.7	9.4	–	84	
0.38	0.38	0.20	0.61	1.2	1.8	2.6	3.8	5.9	11.1	–	81	



ORDERING INFORMATION

Description	Art. No.
Vacuum pump MINI M5L, conn. A, NBR sealings	0102865
Vacuum pump MINI M5L, conn. A, NBR sealings, non-return valve	0102866



ORDERING INFORMATION, ACCESSORIES

Description	Art. No.
Sealing kit MINI 5-28, NBR	3201097
Sealing kit MINI 5-28, Viton®	3201097V
Sealing kit MINI 5-28, EPDM	3201097E

Sealing kits include flap valves, gaskets and compressed-air filters.

Vacuum pumps
MINI