

## P3010 VACUUM SWITCH, INDUCTIVE UNIVERSAL



- ▶ Patented multistage COAX® cartridge - MINI - with Pi, Si, Xi cartridge.
- ▶ Adjustable vacuum switch is actuated at a set vacuum level and set by a knob.
- ▶ Includes a flow-through silencer and a built-in vacuum filter for harsh environments.
- ▶ High system reliability in case of fluctuating or low feed pressure.
- ▶ Suitable for fast and reliable evacuation in sealed systems.

### TECHNICAL DATA

Description	Unit	Value
Feed pressure, max. (pump)	MPa	0.7
Noise level	dB(A)	66-68
Pressure, max (switch)	MPa	0.6
Material		PP, PBTP, PVC, PA, SS, NBR, POM, Al, CuZn
Temperature range	°C	-10-50
Weight	g	233-485
Function		PNP NO, PNP NC, NPN NO and NPN NC
Hysteresis	kPa	2
Cable		2 x 0.14 mm <sup>2</sup> x 2m
Supply voltage	VDC	24 (5-36)
Safety classification		IP67
Current Output, max	mA	200
Voltage drop, max	VDC	4.6

The switch must be connected in series with the load.

### PERFORMANCE TABLES

Depending upon choice of COAX® Cartridge, performance data of the P3010 can be found in the tables for vacuum flow, evacuation time and blow flow on the P3010 or COAX® Cartridge datasheets.

## ORDERING INFORMATION

1. Select housing	P3010 Code
Housing, connection $\varnothing=6$ mm	00
Housing, connection 1/8" NPSF	01

2. COAX® cartridge modules	P3010 Code
COAX® cartridge module Pi12-3FSx1	AE
COAX® cartridge module Pi12-3FSx1, non-return valve	AF
COAX® cartridge module Pi12-3FSx2	AG
COAX® cartridge module Pi12-3FSx2, non-return valve	AH
COAX® cartridge module Si08-3FSx1	AA
COAX® cartridge module Si08-3FSx1, non-return valve	AB
COAX® cartridge module Si08-3FSx2	AC
COAX® cartridge module Si08-3FSx2, non-return valve	AD
COAX® cartridge module Xi10-3FSx1	AI
COAX® cartridge module Xi10-3FSx1, non-return valve	AJ
COAX® cartridge module Xi10-3FSx2	AK
COAX® cartridge module Xi10-3FSx2, non-return valve	AL

3. Select connection and function module	P3010 Code
Function Quick-release connection, 10 and 6 mm, 3 cm <sup>3</sup>	04
Function Quick-release connection, 8 and 6 mm, 30 cm <sup>3</sup>	05
Function Quick-release connection, 8 and 6 mm, 60 cm <sup>3</sup>	06
Function Quick-release connection, 10 and 6 mm, 30 cm <sup>3</sup>	07
Function Quick-release connection, 10 and 6 mm, 60 cm <sup>3</sup>	08
Function Quick-release connection, 1/4" NPSF and 6 mm, 3 cm <sup>3</sup>	09
Function Quick-release connection, 1/4" NPSF and 6 mm, 30 cm <sup>3</sup>	10
Function Quick-release connection, 1/4" NPSF and 6 mm, 60 cm <sup>3</sup>	11
Function Quick-release connection, 8 and 6 mm, 3 cm <sup>3</sup>	12

*For detailed information on Quick-release, see separate datasheet.*

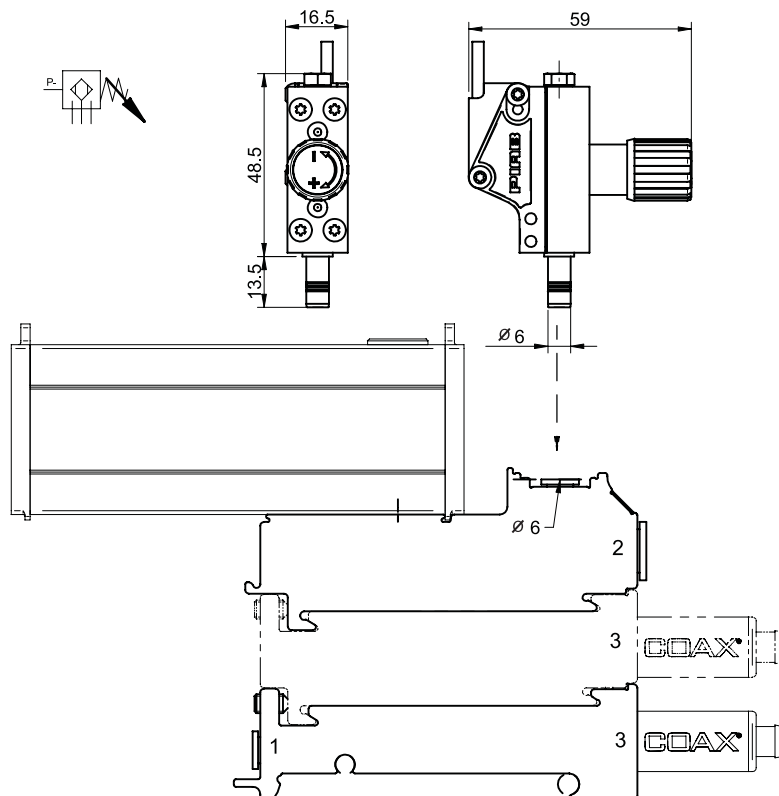
4. Select ES	P3010 Code
No energy saving	AA
Valve DS23	AB

*For detailed information on Valve DS 23, see separate datasheet.*

5. Select vacuum sensing	P3010 Code
Vacuum switch inductive, adjustable with knob	11

Example	Ordering number
Housing, connection $\varnothing$ 6 mm Pi12-3FSx1, Function Quick-release module 10/6 3cm <sup>3</sup> , no energy saving, Vacuum switch inductive, adj. knob	P3010.00.AE.04.AA.11



## ORDERING INFORMATION, ACCESSORIES

Description	Art. No.
Sealing kit P3010, NBR	0104201

*The sealing kit includes flap valves, compressed air filter and vacuum filter.*