

P5010 CU



- ▶ P5010 multistage ejector with Pi, Si or Xi COAX® push-in cartridge(s).
- ▶ Integrated Control Unit (CU) with electric valves for vacuum on-off and blow-off control.
- ▶ Mechanical valve for blow-off flow adjustment.
- ▶ Enhanced blow-off power thanks to a directed blow-off pipe.
- ▶ Special M12 4-pin cable assembly with LED for status of valve signals.
- ▶ Slim, compact, configurable and modular design.

TECHNICAL DATA

Description	Unit	Value
Feed pressure, max	MPa	0.7
Noise level *)	dBA	68–71
Temperature range	°C	0–50
Weight	g	430–720
Material		AL, CuZn, NBR, PA, SS, PE, PMMA
Voltage	VDC	24 (22–28)
Safety classification		IP65 [NEMA4]
Humidity	%RH	90
Current consumption, nominal	mA	60
Ripple, max.	V _p	1 V _{rms}
Flow, blow-off	NI/s	0–7.5
Function, on/off		NC

*) At vacuum level 40 -kPa and at recommended feed pressure for respective push-in cartridge.

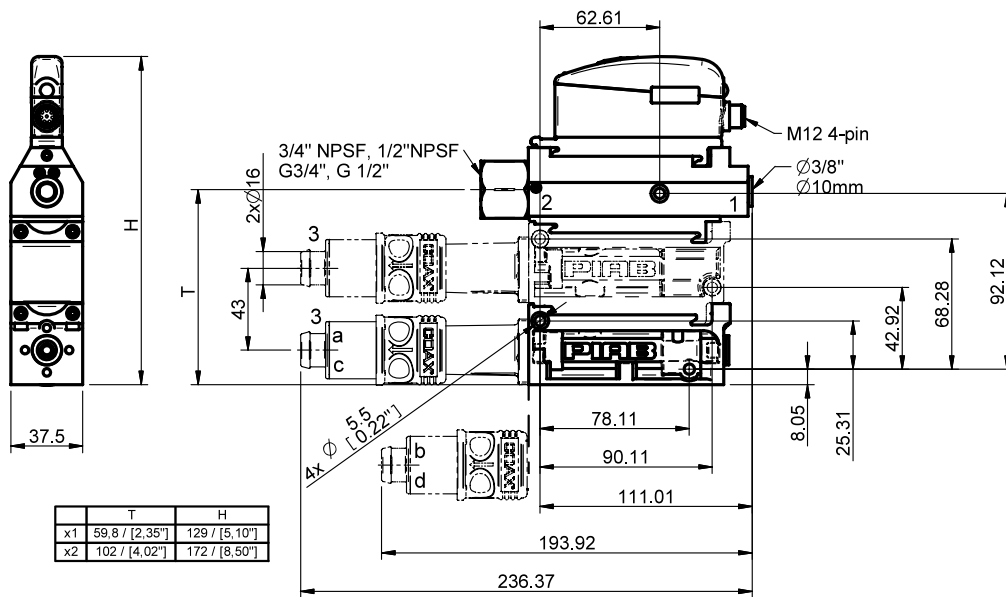
ORDERING INFORMATION

1. Select Housing		P5010 code
Housing, connection Ø 10 mm		00
Housing, connection Ø 3/8"		01

2. COAX® push-in modules		P5010 Code
b	COAX® push-in module Pi48-2X1	AI
a	COAX® push-in module Pi48-3X1	AJ
d	COAX® push-in module Pi48-2X1, non-return valve	AK
c	COAX® push-in module Pi48-3X1, non-return valve	AL
b	COAX® push-in module Pi48-2X2	AM
a	COAX® push-in module Pi48-3X2	AN
d	COAX® push-in module Pi48-2X2, non-return valve	AO
c	COAX® push-in module Pi48-3X2, non-return valve	AP
b	COAX® push-in module Si32-2X1	AA
a	COAX® push-in module Si32-3X1	AB
d	COAX® push-in module Si32-2X1, non-return valve	AC
c	COAX® push-in module Si32-3X1, non-return valve	AD
b	COAX® push-in module Si32-2X2	AE
a	COAX® push-in module Si32-3X2	AF
d	COAX® push-in module Si32-2X2, non-return valve	AG
c	COAX® push-in module Si32-3X2, non-return valve	AH
b	COAX® push-in module Xi40-2X1	AQ
a	COAX® push-in module Xi40-3X1	AR
d	COAX® push-in module Xi40-2X1, non-return valve	AS
c	COAX® push-in module Xi40-3X1, non-return valve	AT
b	COAX® push-in module Xi40-2X2	AU
a	COAX® push-in module Xi40-3X2	AV
d	COAX® push-in module Xi40-2X2, non-return valve	AW
c	COAX® push-in module Xi40-3X2, non-return valve	AX

3. Function		P5010 Code
Function CU NC, G threads		09
Function CU NC, NPSF threads		10

Example	Ordering number
Housing, connection \varnothing 10 mm Pi48-2X2, non-return valve, function CU NC G threads	P5010 00 AO 09



	T	H
x1	59.8 [2.35"]	129 [5.10"]
x2	102 [4.02"]	172 [6.80"]

ORDERING INFORMATION, ACCESSORIES

Description	Art. No.
Cable M12 4-pin female, LED indicator, PUR, L=5m	0118013

Vacuum pumps
P5010