

PIINLINE™ MIDI



piINLINE™ Patent Pending

- ▶ Patented COAX® cartridge technology.
- ▶ High vacuum flow capacity in relation to energy consumption.
- ▶ Low weight inline design with push-in fittings for vacuum and compressed air.
- ▶ Quick and easy installation directly on the hose.
- ▶ Si cartridge for extra vacuum flow.
- ▶ Pi cartridge for high performance at low feed pressures.
- ▶ Xi cartridge when high flow and deep vacuum is needed.

TECHNICAL DATA

Description	Unit	Value
Feed pressure, max.	MPa	0.7
Material		PA, NBR, SS, CuZn
Temperature range	°C	-10-80

TECHNICAL DATA, SPECIFIC

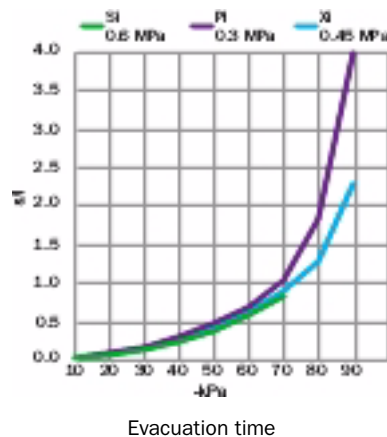
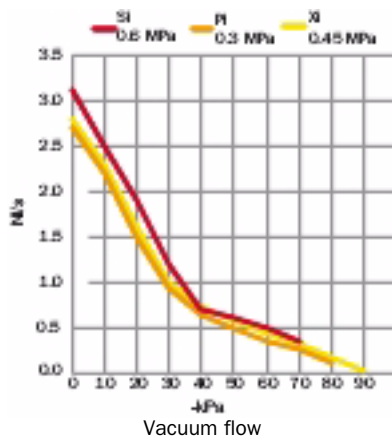
Description	Unit	Value		
		Si8-12	Pi8-12	Xi8-12
Noise level, min-max	dBa	90-98	90-98	93-99
Weight	g	87	87	87
Connection, vacuum	mm	8	8	8
Connection, compressed air	mm	12	12	12

VACUUM FLOW

COAX® Cartridge	Feed pressure MPa	Air consumption NI/s	Vacuum flow (NI/s) at different vacuum levels (-kPa)											Max vacuum -kPa
			0	10	20	30	40	50	60	70	80	90		
Si	0.6	1.75	3.10	2.50	1.90	1.20	0.70	0.60	0.50	0.35	—	—	75	
Pi	0.3	2.00	2.70	2.20	1.50	0.93	0.65	0.50	0.35	0.25	0.10	—	90	
Xi	0.45	1.83	2.80	2.30	1.60	1.00	0.73	0.58	0.43	0.32	0.18	0.03	95	

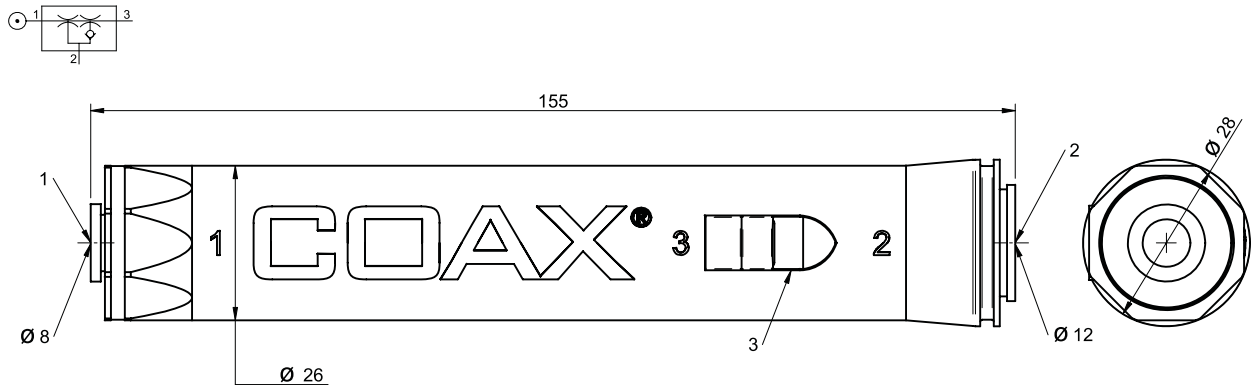
EVACUATION TIME

COAX® Cartridge	Feed pressure MPa	Air consumption NI/s	Evacuation time (s/l) to reach different vacuum levels (-kPa)										Max vacuum -kPa
			10	20	30	40	50	60	70	80	90		
Si	0.6	1.75	0.04	0.08	0.14	0.25	0.40	0.59	0.82	—	—	75	
Pi	0.3	2.00	0.04	0.10	0.18	0.30	0.48	0.71	1.05	1.85	4.00	90	
Xi	0.45	1.83	0.04	0.09	0.17	0.28	0.44	0.63	0.90	1.30	2.30	95	



ORDERING INFORMATION

Description	Art. No.
piINLINE™ vacuum generator MIDI Si, 8-12 mm	0122032
piINLINE™ vacuum generator MIDI Pi, 8-12 mm	0122899
piINLINE™ vacuum generator MIDI Xi, 8-12 mm	0122900



ORDERING INFORMATION, ACCESSORIES

Description	Art. No.
Snap-in piINLINE™ 1x MIDI mounting bracket	0123095
Snap-in piINLINE™ 1x MIDI mounting bracket for silencer	0123096
Silencer piINLINE™ MIDI	0123031

Vacuum generators
LARGE