

VACUUM FILTER S



- ▶ To filter dust and other small particles from the vacuum flow.
- ▶ Reduces the risk of operation breakdown or stoppage in the pump.

TECHNICAL DATA

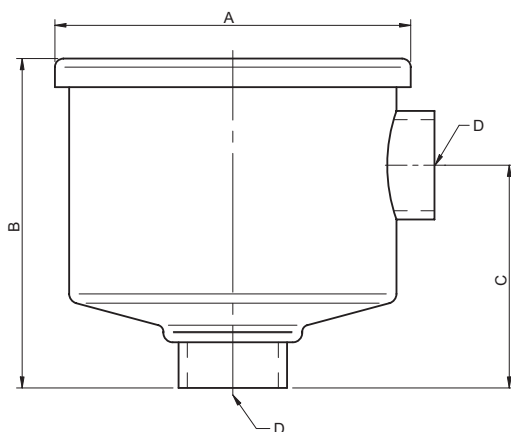
Description	Unit	Value
Pressure range	Mpa	-0.1-0
Material		SS, NBR, PE
Temperature range	°C	-30-90
Removal efficiency	µm	5

TECHNICAL DATA, SPECIFIC

Description	Unit	Value		
		3116654	3116710	0111311
Weight	kg	2.1	4.9	4.2
Flow	NI/s	37.7	70.8	100
Volume, internal	cm ³	3146	6177	7000
Filter area	cm ²	1858	4219	7500

ORDERING INFORMATION

Description	Art. No.
Vacuum filter 1 1/2", steel	3116654
Vacuum filter 2", steel	3116710
Vacuum filter 2 1/2"	0111311



MEASURES

Description	Art. No.	A [mm]	B [mm]	C [Ø mm]	D
Vacuum filter 1 1/2", steel	3116654	165	114	173	G 1 1/2"
Vacuum filter 2", steel	3116710	260	140	194	G 2"
Vacuum filter 2 1/2"	0111311	285	170	200	G 2 1/2"