

## VACUUM SWITCHES, PNEUMATIC



- ▶ Converts a vacuum level to a pneumatic signal.
- ▶ Vacuum-actuated membrane linked to a pneumatic switch.
- ▶ Available preset or with adjustable vacuum level.

### TECHNICAL DATA

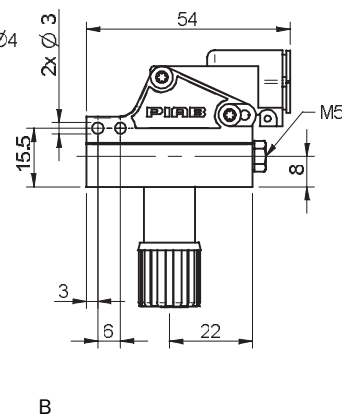
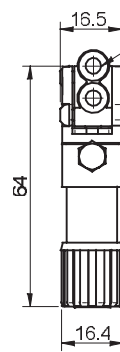
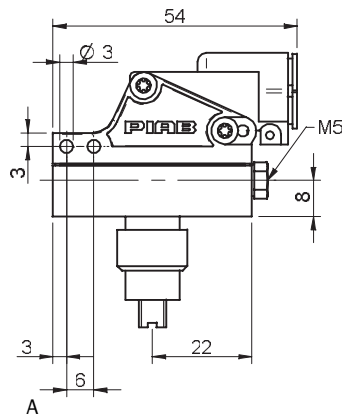
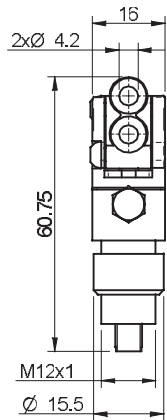
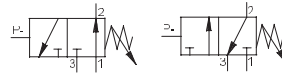
Description	Unit	Value
Feed pressure, range	MPa	0.15–0.8
Feed pressure, max @ vacuum connection	MPa	0.6
Material		PA, SS, NBR, POM, Al, CuZn
Temperature range	°C	-10-60
Weight	g	39
Connection, compressed air	mm	2 x Ø4
Connection, vacuum	mm	M5

### TECHNICAL DATA, SPECIFIC

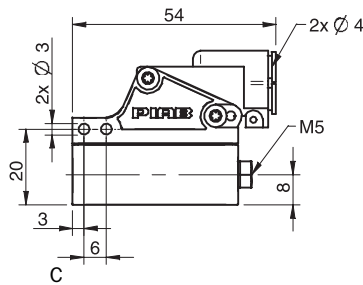
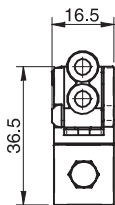
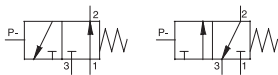
Description	Unit	Value								
		3116069	3116062	3116070	3116063	3116083	3116084	3116085	3116087	3116088
Vacuum, level setting		Knob	Screw	Knob	Screw	Preset	Preset	Preset	Preset	Preset
Signal range	-kPa	10–95	10–95	15–95	15–95	10±2	25±4	65±8	30±5	70±10
Function output		NO	NO	NC	NC	NO	NO	NO	NC	NC
Hysteresis	kPa	3	3	12	12	3	3	3	12	12

## ORDERING INFORMATION

Description	Art. No.
A Vacuum switch, pneumatic, adjustable with screw (NO)	3116062
A Vacuum switch, pneumatic, adjustable with screw (NC)	3116063
B Vacuum switch, pneumatic, adjustable with knob (NO)	3116069
B Vacuum switch, pneumatic, adjustable with knob (NC)	3116070
C Vacuum switch, pneumatic, preset (NO 10 -kPa)	3116083
C Vacuum switch, pneumatic, preset (NO 25 -kPa)	3116084
C Vacuum switch, pneumatic, preset (NO 65 -kPa)	3116085
C Vacuum switch, pneumatic, preset (NC 30 -kPa)	3116087
C Vacuum switch, pneumatic, preset (NC 70 -kPa)	3116088



Optimising controls



## ORDERING INFORMATION, ACCESSORIES

Description	Art. No.
Connection set for vacuum switch	0100488

Contents: Barrel nipple G1/8" M5 long, hose connector 4/2 M5. Material: Nickel-plated brass, SS, PA66, NBR, PA6. Fits: All pre-set and adjustable vacuum switches.