

VGS™2010 FC25P



- ▶ Patented COAX® technology.
- ▶ Suitable for lifting small objects and narrow parts as well as also slightly domed surfaces.
- ▶ Thanks to good friction of the rubber material the cups can withstand high shear forces at rapid acceleration.
- ▶ The suction cups have cleats that prevent thin objects from being disfigured.
- ▶ Available with a two-stage COAX® cartridge MICRO. Choose an Si cartridge for extra vacuum flow, a Pi cartridge for high performance at low feed pressure or an Xi cartridge when high flow and deep vacuum is needed.

TECHNICAL DATA

Description	Unit	Value
Feed pressure, max.	MPa	0.7
Noise level	dBA	55-61
Temperature range	°C	10-50
Weight	g	24-35
Material		Al, SS, NBR, PA, PU

VACUUM FLOW

COAX® Cartridge	Feed pressure MPa	Air consumption NI/s	Vacuum flow (NI/s) at different vacuum levels (-kPa)									Max vacuum -kPa
			0	10	20	30	40	50	60	70	80	
Bi03-2	0.18	0.14	0.23	0.15	0.060	0.040	0.035	0.023	0.013	0.006	—	83
Si02-2	0.60	0.12	0.28	0.21	0.12	0.08	0.07	0.06	0.04	0.02	—	75
Xi2.5-2	0.50	0.13	0.24	0.17	0.10	0.06	0.04	0.03	0.02	0.01	0.010	92

For vacuum flows at other feed pressures, see COAX® Cartridge data sheets.

EVACUATION TIME

COAX® Cartridge	Feed pressure MPa	Air consumption NI/s	Evacuation time (s/l) to reach different vacuum levels (-kPa)								Max vacuum -kPa
			10	20	30	40	50	60	70	80	
Bi03-2	0.18	0.14	0.50	1.4	3.9	6.4	10.0	16.0	28.0	51.0	83
Si02-2	0.60	0.12	0.41	1.01	2.01	3.30	4.90	6.90	10.2	—	75
Xi2.5-2	0.50	0.13	0.49	1.23	2.48	4.50	7.30	11.3	18.0	28.0	92

For evacuation times at other feed pressures, see COAX® Cartridge data sheets.

LIFTING FORCES & TECHNICAL DATA FC25P

Material	Lifting force vertical to the surface, N, at vacuum level			Lifting force parallel to the surface, N, at vacuum level			Volume cm³	Min. curve radius mm	Max. vertical movement mm	Weight rubber part g
	20 -kPa	60 -kPa	90 -kPa	20 -kPa	60 -kPa	90 -kPa				
PU50°	8.0	20.0	27	9.0	12.0	18.0	3.0	45	4.0	3

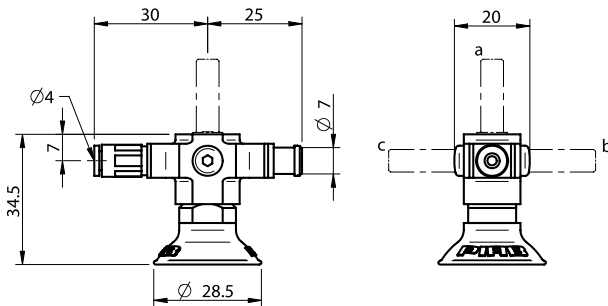
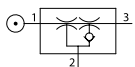
ORDERING INFORMATION

1. COAX® cartridge	VGS Code
No COAX® cartridge (slave unit)	AA
COAX® cartridge MICRO Bi03-2	AB
COAX® cartridge MICRO Si02-2	AF
COAX® cartridge MICRO Xi2.5-2	AJ

2. Mounting / orientation	VGS code
4x M3 top, flush mount	00
a M6 19 mm top, profile kit	01
b M6 19 mm right, profile kit	02
c M6 19 mm left, profile kit	03

3. Suction cup with fitting	VGS code
No suction cup	BA
FC25P 50° Shore A	DD

Example	Ordering number
VGS™2010 FC25P – Bi03-2, M6 19 mm top, profile kit, FC25P 50° Shore A	VGS2010 AB 01 DD



Vacuum grippers
VGS™2010