

CHECK VALVES

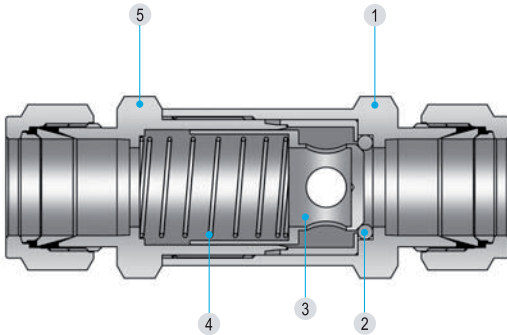
SPCV Series

Features

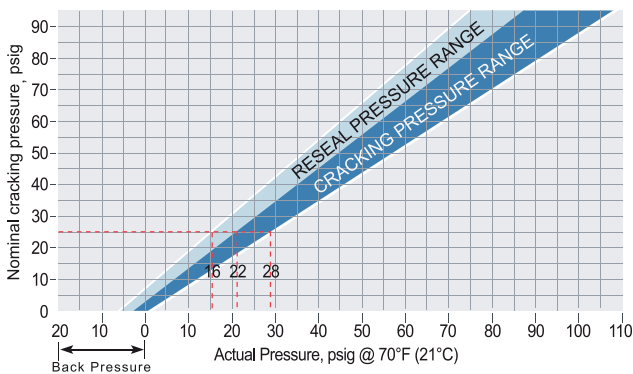
- Fixed cracking pressure.
- Pressure rating up to 3000 psig @70 °F (21 °C)
- Temperature rating up to 375 °F (191 °C) with viton o-ring
- Variety of end connections.
- Each and every valves are tested at the factory.



Materials of Construction



No.	Description	Material
1	Inlet Body	ASTM A276 Type 316
2	O-Ring	Viton
3	Poppet	ASTM A276 Type 316
4	Spring	304 Stainless Steel
5	Outlet Body	ASTM A276 Type 316



O-Rings

O-ring Material	Temperature Rating °F(°C)	Designator
Buna N	-10 to 250 (-23 to 121)	-N
Ethylene Propylene	-70 to 250 (-57 to 121)	-E
Viton (Fluorocarbon)	-10 to 375 (-23 to 191)	Standard
Kalrez	-15 to 500 (-26 to 260)	-K
Neoprene	-35 to 225 (-37 to 107)	-P

To order, insert the seal material designator into the valve ordering number. ex)SPCV-S-8-1P-N

Back Pressure

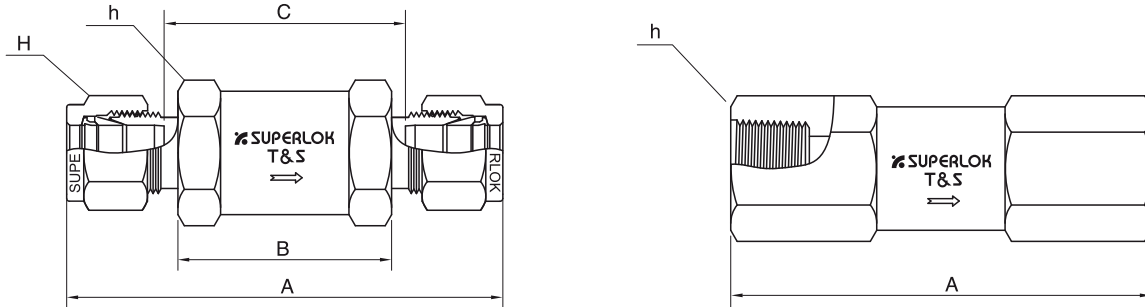
Back pressure may be required to reseat the valves with nominal cracking pressure of 5psi or lower.

Example : For a valve with a spring having a rated cracking pressure of 25 psig (1.72 bar), the actual cracking pressure ranges between 22 and 28 psig (1.52 to 1.93 bar). The re-seal pressure range would be 16 to 22 psig (1.10 to 1.52 bar). Check valves having springs with rated crack pressure of 3 psig (0.21 bar) or less may require up to 4 psig (0.28 bar) back pressure to re-seal bubble-tight.

CHECK VALVES

SPCV Series

Table of Dimensions



Order Number		End Connection	Dimensions					
Series	Part No.		A	B	C	h	H	
SPCV	S	2	1/8 SUPERLOK	57.15	26.6	31.2	15.88	11.11
	F	2N	1/8 Female NPT	50.00	-	-	15.88	-
	S	4	1/4 SUPERLOK	62.16	26.6	31.4	15.88	14.28
	F	4N	1/4 Female NPT	57.10	-	-	19.05	-
	S	6	3/8 SUPERLOK	76.20	37.6	42.4	22.22	17.46
	F	6N	3/8 Female NPT	73.90	-	-	22.22	-
	S	8	1/2 SUPERLOK	86.58	42.9	40.8	25.40	22.22
	F	8N	1/2 Female NPT	90.60	-	-	27.00	-
	S	10	5/8 SUPERLOK	91.68	48.0	42.8	28.50	25.40
	S	12	3/4 SUPERLOK	99.78	56.1	51.1	31.80	28.57
	F	12N	3/4 Female NPT	99.78	-	-	31.80	-
	S	16	1 SUPERLOK	111.22	58.4	48.9	38.10	38.1
	F	16N	1 Female NPT	114.30	-	-	41.27	-

All dimension are for reference only, subject to change.

Technical Data

Cracking pressure-the upstream pressure at which the first indication of flow occurs.

Reseal pressure-the pressure at which there is no indication of flow.

Size	Maximum Flow Coefficient (Cv)	Nominal Cracking Pressure psi (bar)	Downstream Pressure at 70 °F (20°C) psig (bar)
1/8"	0.10	1/3, 1, 10, 25 (0.03, 0.07, 0.69, 1.8)	1000 (68.9)
1/4"	0.47		
3/8"	1.47		
1/2"	1.68		200 (13.7)
3/4", 1"	4.48		

For cracking pressure of 25psi (1.8bar), downstream pressure is 3000psig (206bar).

Ordering Information

LOK - SPCV - S - 6 - 0.5P - SS

1
2
3
4
5

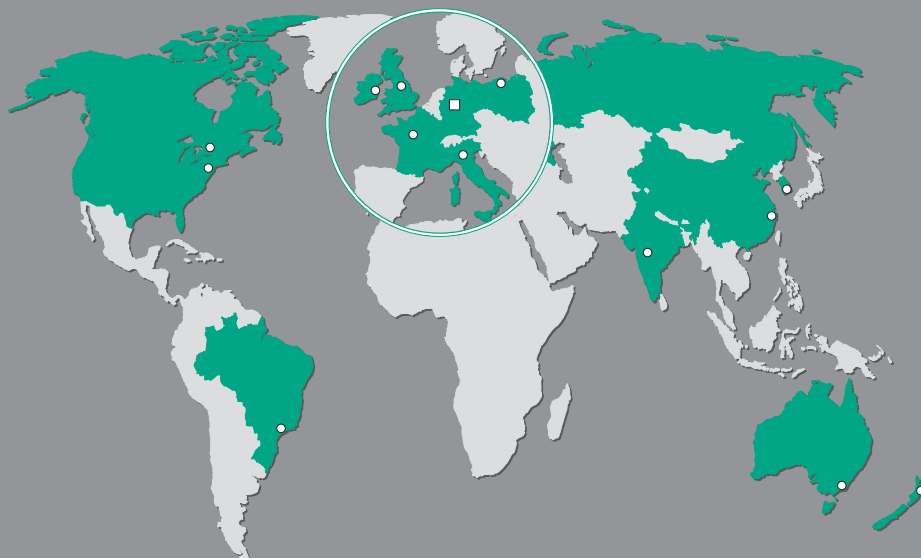
1 : Valve Series

4 : Cracking Pressure

2 : End Connection

5 : Body Material

3 : Connection Size & Type


AUSTRALIA

STAUFF Corporation Pty. Ltd.
P. O. Box 227
Unanderra, NSW, 2526
24-26 Doyle Avenue
Unanderra, Wollongong, NSW, 2526
Tel.: +61 2 4271 18 77
Fax: +61 2 4271 84 32
sales@stauff.com.au

BRAZIL

STAUFF Brasil Ltda.
Avenida Gupê 10767
Galpão 2 - Bloco A
Barueri - São Paulo
CEP 06422-120
Tel.: +55 11 47 72 72 00
Fax: +55 11 47 72 72 10
stauff@stauffbrasil.com

CANADA

STAUFF Canada Ltd.
866 Milner Avenue
Scarborough
Ontario M1B 5N7
Tel.: +1 416 282 46 08
Fax: +1 416 282 30 39
sales@stauffcanada.com

CHINA

STAUFF International Trading
(Shanghai) Co., Ltd.
No. 41-42, Lane 369, Chuang Ye Road
Jushuo Industrial Zone, Kang Qiao
Shanghai, 201319
Tel.: +86 21 68 18 70 00
Fax: +86 21 68 18 71 36
info@stauff.com.cn

FRANCE

STAUFF S.A.S.
230, Avenue du Grain d'Or
Z.I. de Vineuil - Blois Sud
41354 Vineuil-cedex
Tel.: +33 2 54 50 55 50
Fax: +33 2 54 42 29 19
direction@stauffsa.com

GERMANY
WALTER STAUFFENBERG GmbH & Co. KG

P. O. Box 1745
D-58777 Werdohl
Im Ehrenfeld 4
D-58791 Werdohl
Tel.: +49 23 92 916-0
Fax: +49 23 92 2505
filtrationtechnology@stauff.com
www.stauff.com

INDIA

STAUFF India Pvt. Ltd.
Gat. No. 2340
Pune Nagar Road, Wagholi
Pune, 412207
Tel.: +91 20 6620 2473
Fax: +91 20 2705 1567
sales@stauffindia.com

ITALY

STAUFF Italia s.r.l.
Viale Nuova Valassina 78
angolo Via Baragiola sn
20033 Desio (MI)
Tel.: +39 0362 63 80 70
Fax: +39 0362 63 80 69
sales@stauff.it

IRELAND

STAUFF Ireland Ltd.
Unit B3
Weatherwell Business Park
Clondalkin
Dublin 22
Tel.: +353 1457 4936
Fax: +353 1467 0687
sales@stauff.ie

KOREA

STAUFF Korea Ltd.
1500-12, Dadae-Dong
Saha-Ku
Pusan, 604-826
Tel.: +82 51 266 6666
Fax: +82 51 266 8866
info@stauff.co.kr

NEW ZEALAND

STAUFF Corporation (NZ) Ltd.
P. O. Box 58517
Greenmount, Auckland
Unit D, 103 Harris Road
East Tamaki, Auckland
Tel.: +64 9 271 48 12
Fax: +64 9 271 48 32
info@stauff.co.nz

POLAND

STAUFF Polska Sp. z o.o.
Miszewko 43 A
80-297 Banino
Tel.: +48 58 660 11 60
Fax: +48 58 629 79 52
sales@stauff.pl

RUSSIAN FEDERATION

STAUFF LLC
Office 205, Building 7
Scharikopodschipnikovskaya 11
Moscow, 115088
Tel.: +7 495 987 36 29
+7 495 223 89 61
Fax: +7 495 679 90 48
sales@stauff.ru

UNITED KINGDOM

STAUFF UK
Unit B3
500, Carlisle Street East
Off Downgate Drive
Sheffield, S4 8BS
Tel.: +44 114 251 85 18
Fax: +44 114 251 85 19
sales@stauff.co.uk

UNITED STATES

STAUFF Corporation
7 Wm. Demarest Place
Waldwick, 07463-1542
New Jersey
Tel.: +1 201 444 78 00
Fax: +1 201 444 78 52
sales@stauffusa.com

Globally available through
wholly-owned branches and
distributors in all industrial
countries.

STAUFF